

# 08A4RSH125

# 8 Foot Round Hinged Base Aluminum Light Pole, 4 Inch Diameter, 0.125 Inch Wall Thickness



Job: \_\_\_\_\_  
 Job Site: \_\_\_\_\_ State: \_\_\_\_\_ Client Name: \_\_\_\_\_  
 Notes: \_\_\_\_\_ Approvals: \_\_\_\_\_ Date: \_\_\_\_\_

**Pole Top Options:** A removable pole cap or open top are standard options.

Available tenon diameter options are: 2-3/8 in. or 3 in.

Both tenon options are 4 in. long.

**Pole Shaft:** The pole shaft is constructed of seamless extruded tube of 6063 Series Aluminum Alloy per the requirements of ASTM B221.

**Handhole:** 2" X 4" size handhole with cover is located at 18 inches from the base. Ground lug is included.

**Finish:** Commercial grade, super durable powder coat finish.

Dark Bronze is standard color. Black, White, Gray colors are available with extended lead times and additional surcharge.

**Anchor Bolts:** A set of 4 galvanized steel anchor bolts is provided with each pole assembly. Each anchor bolt includes 1 Hex Nut, 1 Lock Washer and 1 Flat Washer. Energy Light, Inc. recommends leveling shims instead of leveling nuts.

No grouting is required with leveling shims. Shims are available at a surcharge. An actual size paper anchor bolt template is provided.

**Bolt Circle:** 7".

**Hinged Base:** This aluminum light pole has a unique hinge-base design.

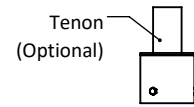
The bottom portion is mounted on a concrete foundation with anchor bolts.

Aluminum 2-piece cover is included. Cover is secured to bottom base with the use of 4 Stainless Steel Tamper-Resistant Screws (also provided).

**Other Options:** The following options are available with extended lead times and surcharges: Vibration damper, custom tenon sizes, custom colors, electric/GFI outlets, custom pole heights, additional handhole and UL compliant handholes.

**Warranty:** 10 Years.

**Foundation design:** Foundation should be designed by an engineer familiar with local soil and wind conditions as well as local code where the pole(s) will be installed.

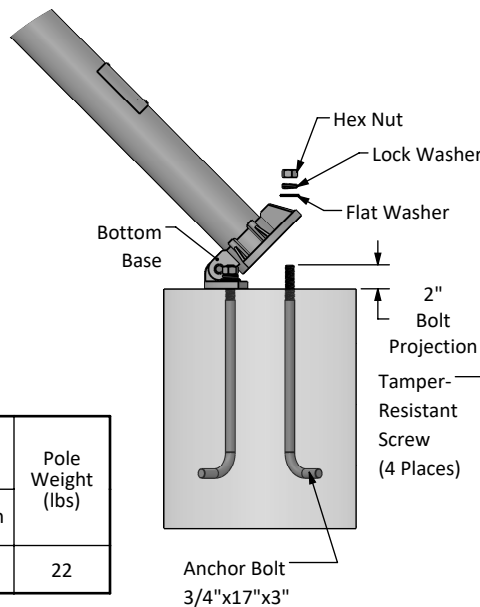
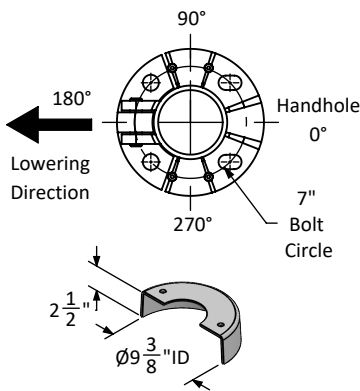


Removable Pole Cap



4" Dia. Aluminum Shaft  
0.125" Wall Thickness

8'



Handhole Cover with Screws

Aluminum 2-Piece Cover  
Ø9 3/4" OD (REF)

18"

Maximum EPA with 1.3 Gust Factor (ft <sup>2</sup> )				Pole Weight (lbs)
90 mph	100 mph	120 mph	130 mph	
10.6	8.4	6.3	5.1	22

**Disclaimer:** All dimensions and specifications are subject to change without any notice. Energy Light, Inc. is not responsible for any claims arising from improper loading (what is attached to the light pole), improper use, incorrect foundation design and/or installation.