



JOB NAME:

CAT#:

TYPE:

APPLICATIONS

This premium grade LED industrial fixture is great for use in indoor applications such as factories, warehouses, workshops, garages and utility areas where concentrated light output is required.

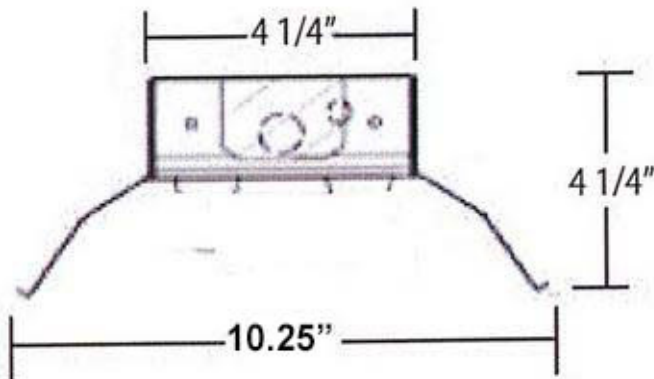
The housing is die-formed from cold rolled steel. The finish is high reflectance baked white enamel. A versatile end plate doubles as coupler for continuous row mounting, and the reflector is one single piece. Knockouts are provided for flexible conduit attachment. _cETL_{US} listed for damp location.



FEATURES & BENEFITS

- Single unit or continuous row mounting capability
- Versatile end plates doubles as coupler for precise continuous row mounting
- Available in 4 ft & 8 ft lengths (consult for other options)
- Surface, stem or chain mountable
- _cETL_{US} listed for damp location
- Min CRI 82

DIMENSIONS



Lumens are subject to a tolerance of ±10% and not relevant to RGB
Input wattage can vary depending on options
Dimensions and specifications subject to change without notice.





JOB NAME:

CAT#:

TYPE:

ORDERING

EXAMPLE: 1 48 LED 30 DMV 35

1		LED									
1. SERIES	2. SIZE	3. GEAR	4. WATTAGE/LUMENS		5. DRIVER		6. COLOR TEMP				
1	48 48" long	LED	<u>4 ft.</u>		DMV	120-277V Multivolt		30	3000K		
	96 96" long		24	24 Watts 3475 Lumens		0-10V Dimmable		35	3500K		
			30	30 Watts 4310 Lumens		Step dimming		40	4000K		
			35	35 Watts 4920 Lumens		Multivolt		50	5000K		
			48	48 Watts 6475 Lumens		<u>8 ft.</u>		SDMV	347-480VAC		
			57	57 Watts 7755 Lumens		24	24 Watts 3475 Lumens		0-10V Dimming		
				48		48 Watts 6475 Lumens	347VAC 0-10V Dimming		D347V		
				57		57 Watts 7755 Lumens	Triac Dimming		120-277VAC		
				70		70 Watts 9840 Lumens	Triac Dimming		D120		
				97		97 Watts 12950 Lumens	Triac Dimming		120VAC		
				118		118 Watts 15510 Lumens	Triac Dimming		D277		
							277VAC				

7. EMERGENCY (O) ¹		8. SENSOR (O) ¹		9. CORD (O) ¹	
EM	Emergency Battery Pack 10W ~ 1700 Lumens	OS	Occupancy Sensor	CS	Cord 18/3 6'
EM5	Emergency Battery Pack 5W ~ 850 Lumens	*See chart below for whip & cord ordering options			
EM4F	Emergency Battery Pack ~500 Lumens				

*Cord & Whip Ordering Chart (Add to End of Fixture Part Number)						
Part No.	# of Wires	Length	End Fitting	Finish	Voltage	Amps (TL Only)
WP - Whip	(Blank) 3 Wire	(Blank) 6 feet	(Blank) No Plug	BK - Black	(Blank) 120-277V	15 - 15 Amps
CS - Cordset	4 - 4 Wire	8 - 8 feet	P* - Standard	WH - White	120 - 120V	20 - 20 Amps
	5 - 5 Wire	10 - 10 feet	Plug		277 - 277V	
	6 - 6 Wire	12 - 12 feet	TL* - Twist Lock		347 - 347V	
		15 - 15 feet			480 - 480V	

ACCESSORIES

- A144-2** (2)V-hooks & (2) 2ft. chains
- A71** 1 & 2 lamp wireguards 4ft.²
- A72** 3 & 4 lamp wireguards 4ft.²

Notes:

¹(O) is optional
²Order 2 for 8ft.

Lumens are subject to a tolerance of ±10% and not relevant to RGB
Input wattage can vary depending on options
Dimensions and specifications subject to change without notice.

