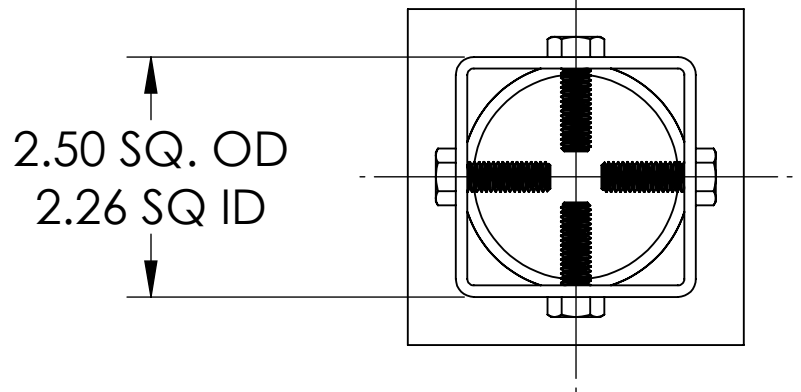
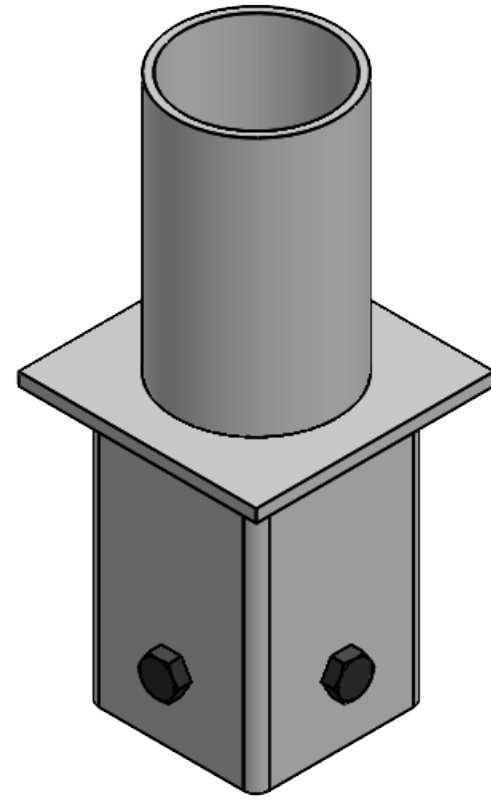
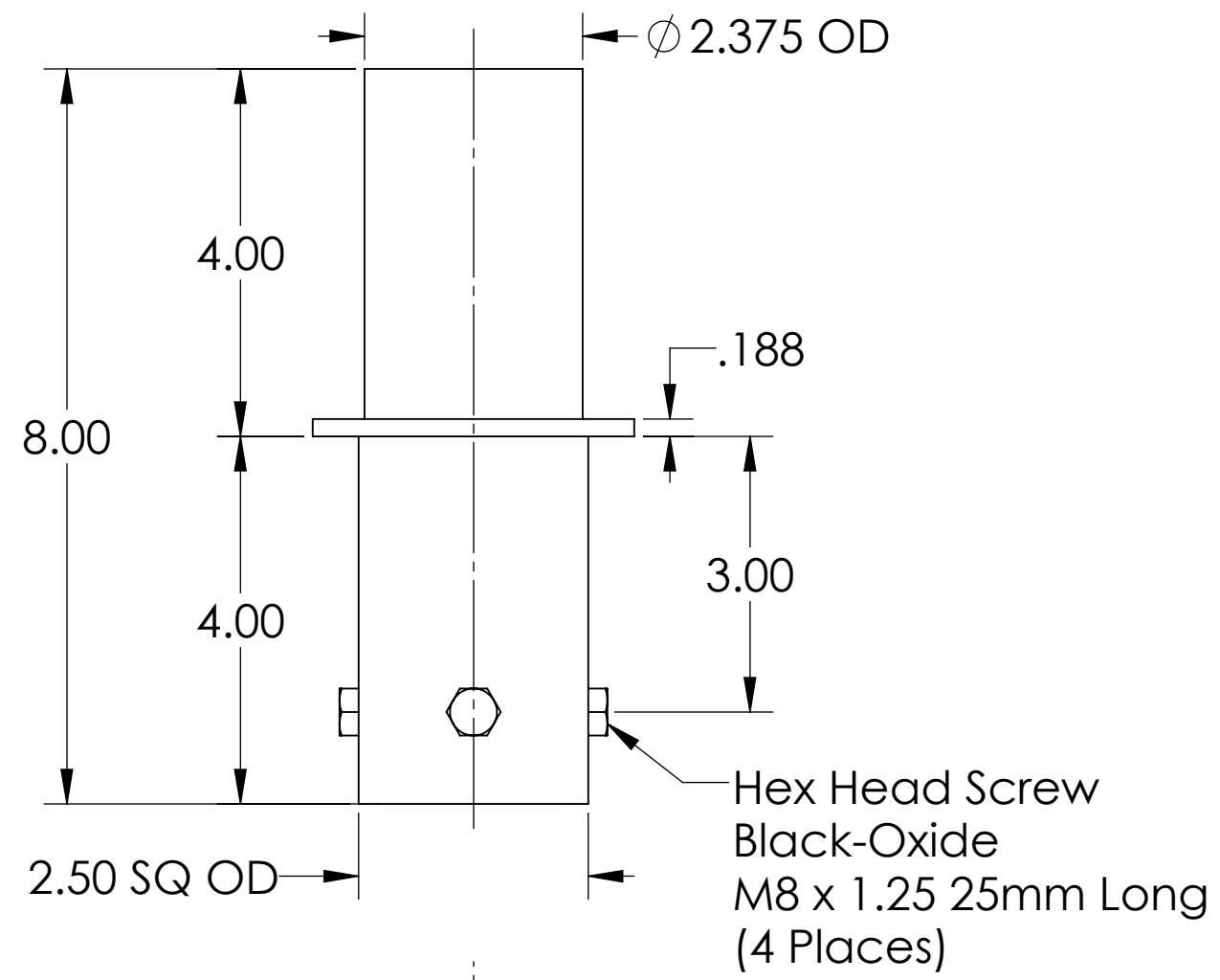
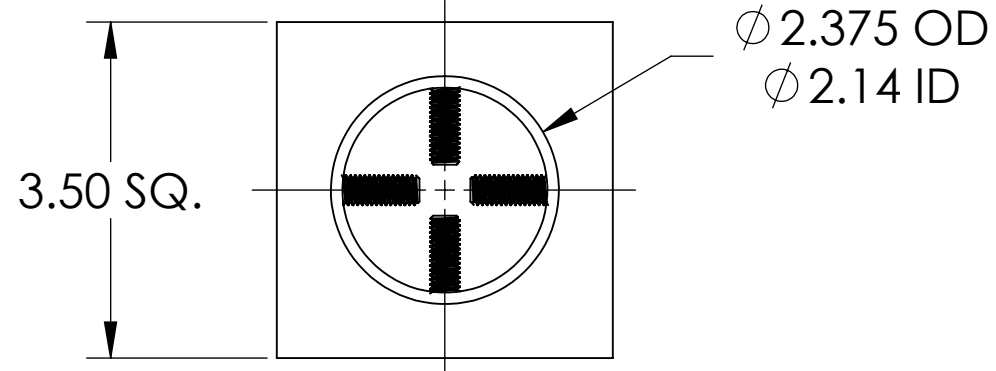


4

3


2

1



All dimensions and specifications are subject to change without any notice.

**PROPRIETARY AND CONFIDENTIAL**  
 THE INFORMATION CONTAINED IN THIS DRAWING IS THE SOLE PROPERTY OF *Energy Light, Inc.* ANY REPRODUCTION IN PART OR AS A WHOLE WITHOUT THE WRITTEN PERMISSION OF *Energy Light, Inc.* IS PROHIBITED.

		UNLESS OTHERWISE SPECIFIED:		NAME	DATE
		DIMENSIONS ARE IN INCHES		DRAWN	MKA 01-14-21
		TOLERANCES:		ENG APPR.	
		FRACTIONAL $\pm 1/64$		MFG APPR.	
		ANGULAR: $\pm 0.5^\circ$		Q.A.	
		TWO PLACE DECIMAL $\pm 0.01$			
		THREE PLACE DECIMAL $\pm 0.005$			
		INTERPRET GEOMETRIC TOLERANCING PER:		 Energy Light, Inc. 1881 Rose Road Lake Zurich, IL 60047	
		MATERIAL			
		STEEL			
NEXT ASSY	USED ON	FINISH			
APPLICATION		DO NOT SCALE DRAWING			

TITLE:		
Tenon Adapter for 3" SQ. Poles		
SIZE	ITEM NO.	REV
<b>B</b>	10028	
SCALE: 1:2	WEIGHT: 4 lbs	SHEET 1 OF 1

4

3

2

1

B

B

A

A