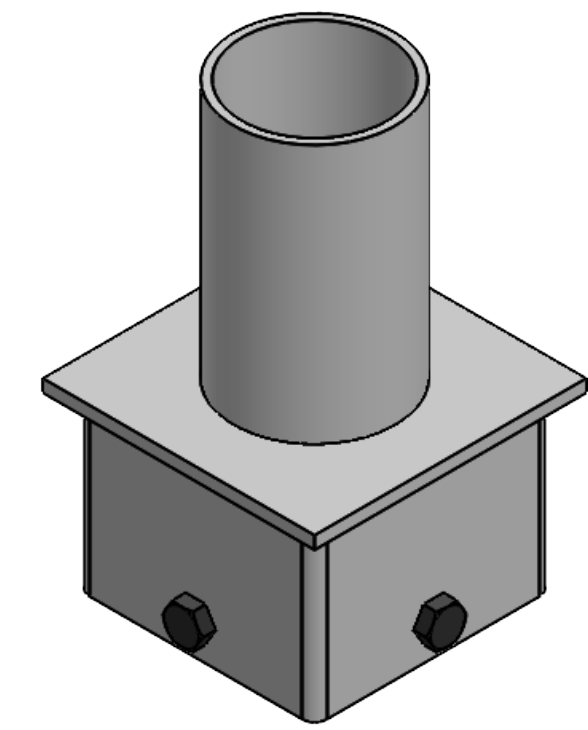
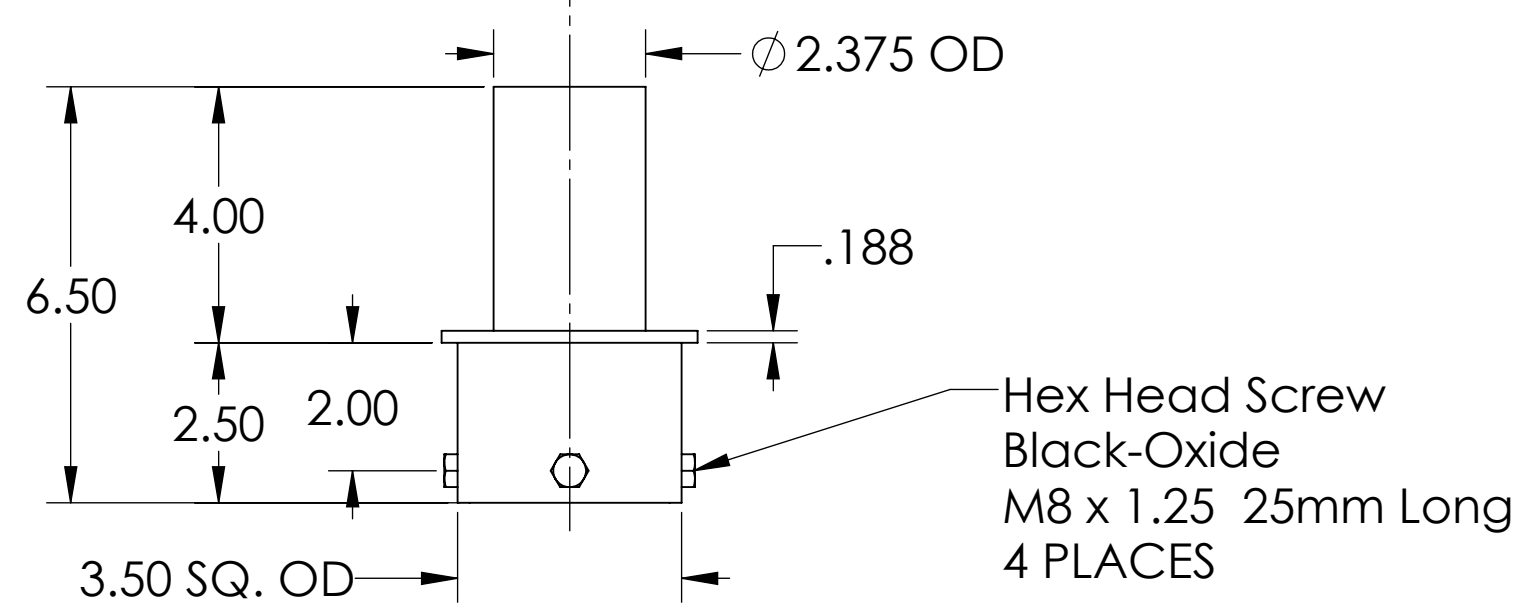
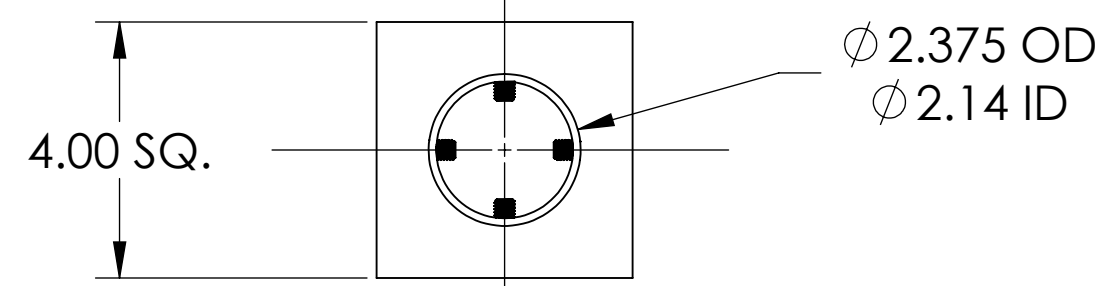


4 3 2 1

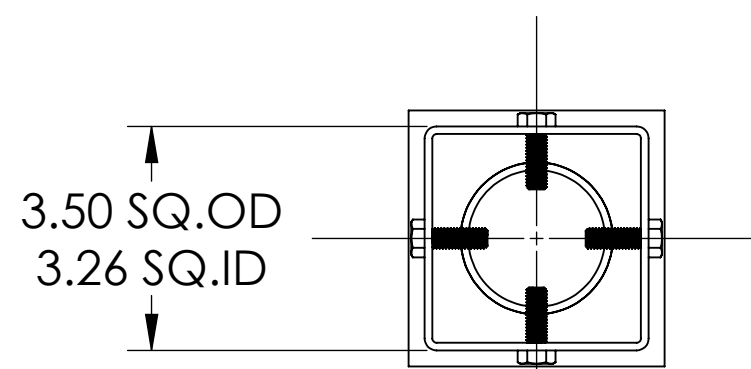
B

B




A

A



All dimensions and specifications are subject to change without any notice.

PROPRIETARY AND CONFIDENTIAL
 THE INFORMATION CONTAINED IN THIS DRAWING IS THE SOLE PROPERTY OF **Energy Light, Inc.** ANY REPRODUCTION IN PART OR AS A WHOLE WITHOUT THE WRITTEN PERMISSION OF **Energy Light, Inc.** IS PROHIBITED.

		UNLESS OTHERWISE SPECIFIED:		NAME	DATE	TITLE:	
		DIMENSIONS ARE IN INCHES TOLERANCES: FRACTIONAL: $\pm 1/64$ ANGULAR: $\pm 0.5^\circ$ TWO PLACE DECIMAL ± 0.01 THREE PLACE DECIMAL ± 0.005		DRAWN	MKA	01-06-21	Tenon Adapter for 4" SQ. Poles
		INTERPRET GEOMETRIC TOLERANCING PER:		ENG APPR.			
		MATERIAL STEEL		MFG APPR.			
NEXT ASSY	USED ON	FINISH		Q.A.			SIZE B
APPLICATION		DO NOT SCALE DRAWING		 Energy Light, Inc. 1881 Rose Road Lake Zurich, IL 60047		ITEM NO. 10029	REV
				SCALE: 1:3		WEIGHT: 4 lbs	SHEET 1 OF 1

4 3 2 1