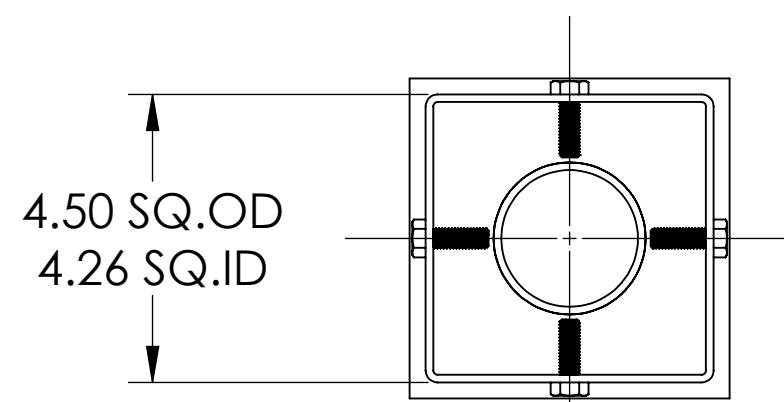
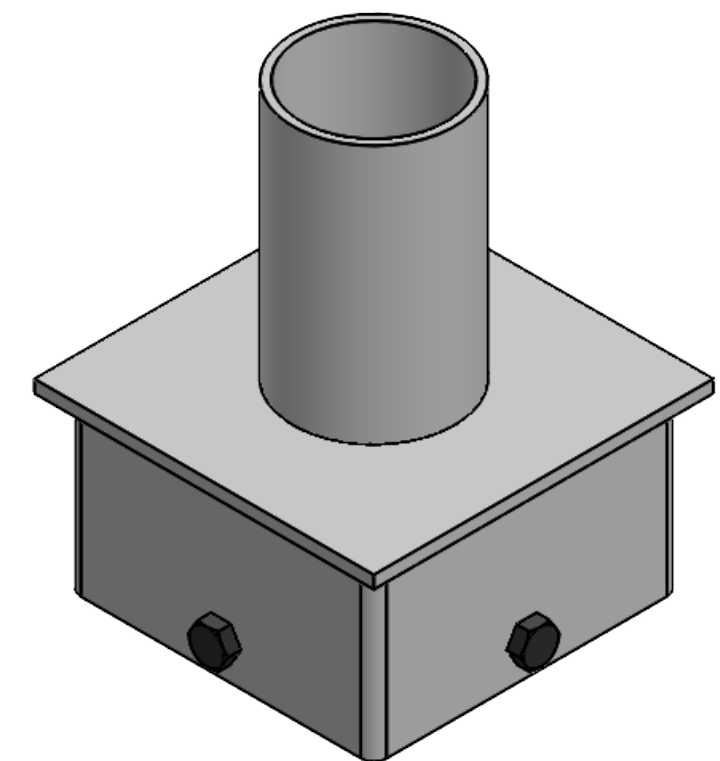
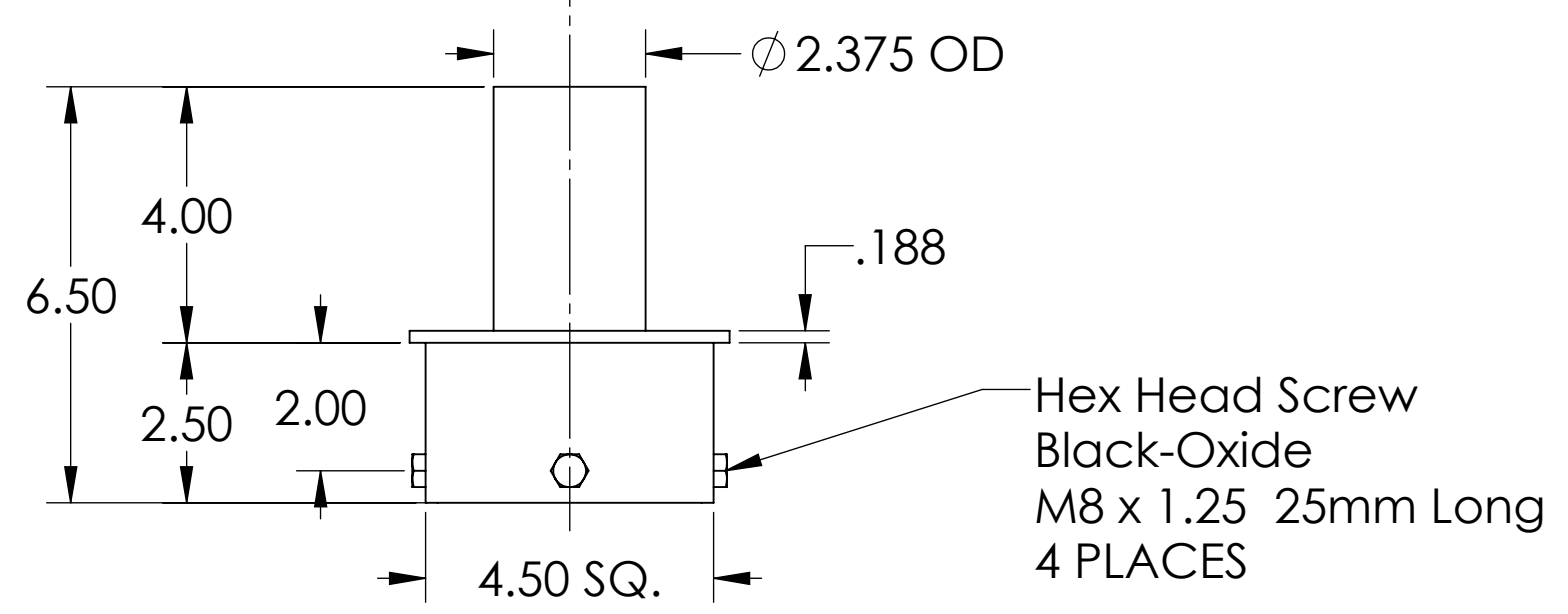
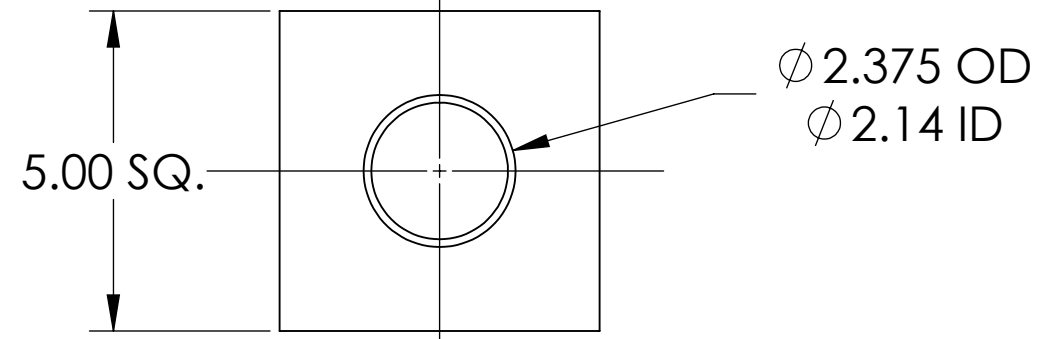


4

3


2

1



All dimensions and specifications are subject to change without any notice.

PROPRIETARY AND CONFIDENTIAL
THE INFORMATION CONTAINED IN THIS DRAWING IS THE SOLE PROPERTY OF *Energy Light, Inc.* ANY REPRODUCTION IN PART OR AS A WHOLE WITHOUT THE WRITTEN PERMISSION OF *Energy Light, Inc.* IS PROHIBITED.

		UNLESS OTHERWISE SPECIFIED:		NAME	DATE	TITLE:	
		DIMENSIONS ARE IN INCHES TOLERANCES: FRACTIONAL: \pm 1/64 ANGULAR: \pm 0.5° TWO PLACE DECIMAL \pm 0.01 THREE PLACE DECIMAL \pm 0.005		DRAWN	MKA	01-06-21	Tenon Adapter for 5" SQ. Poles
		INTERPRET GEOMETRIC TOLERANCING PER:		ENG APPR.			
		MATERIAL STEEL		MFG APPR.			
NEXT ASSY	USED ON	FINISH		Q.A.			SIZE B
APPLICATION		DO NOT SCALE DRAWING		 Energy Light, Inc. 1881 Rose Road Lake Zurich, IL 60047		ITEM NO. 10030	REV
				SCALE: 1:3		WEIGHT: 4.7 lbs	SHEET 1 OF 1

4

3

2

1

B

B

A

A