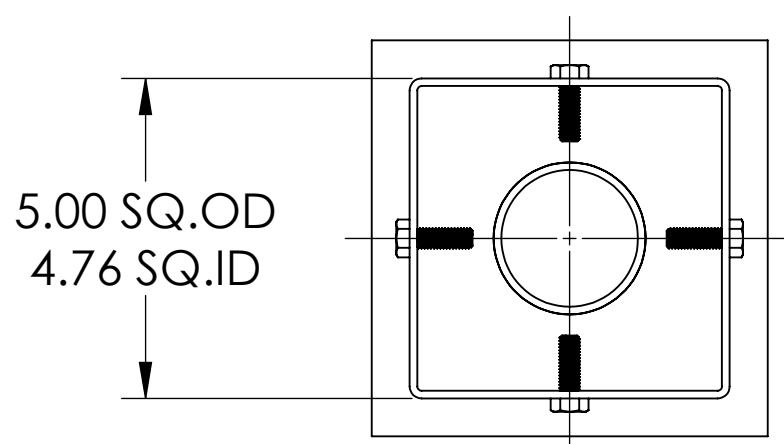
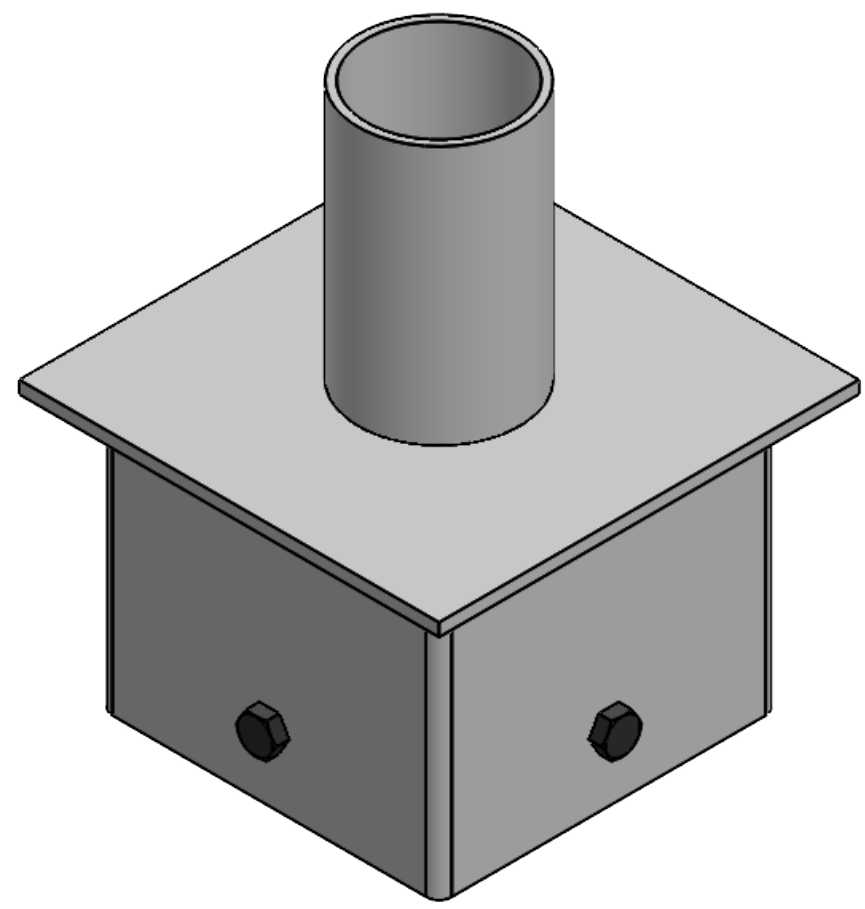
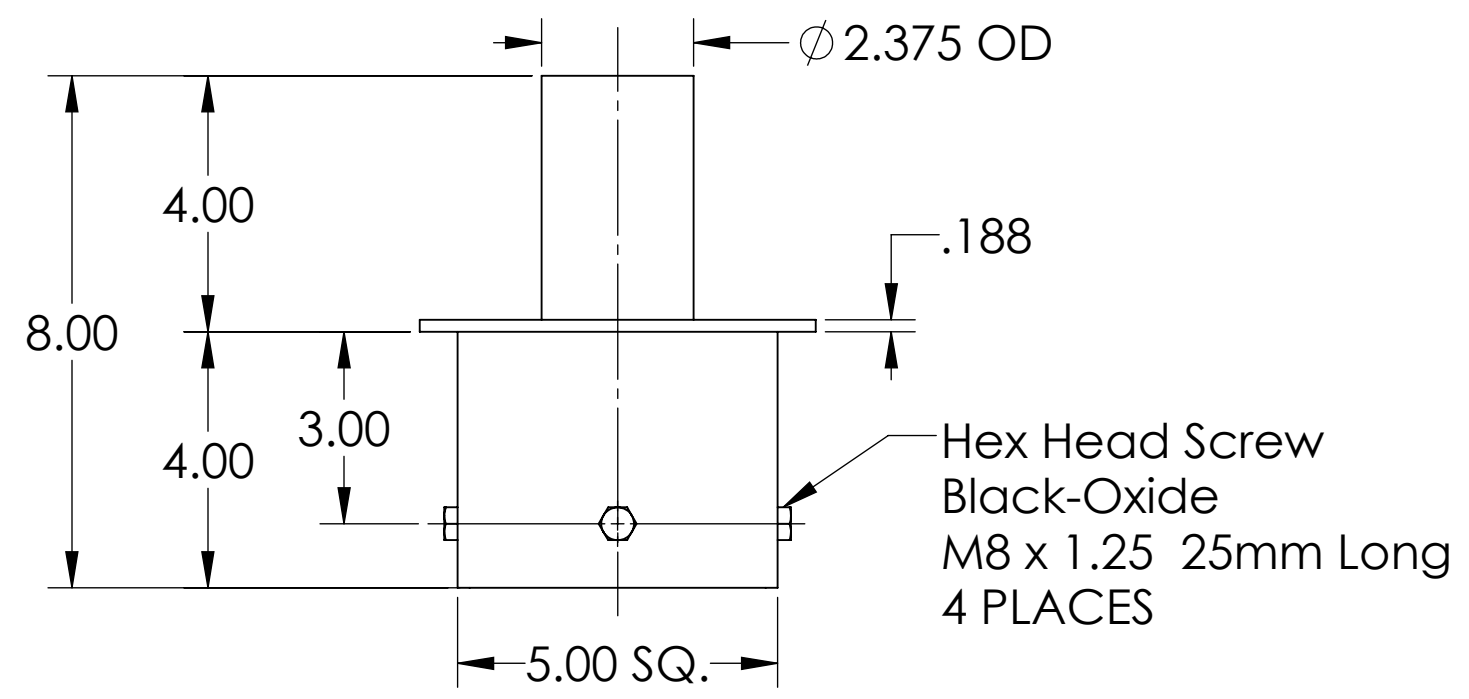
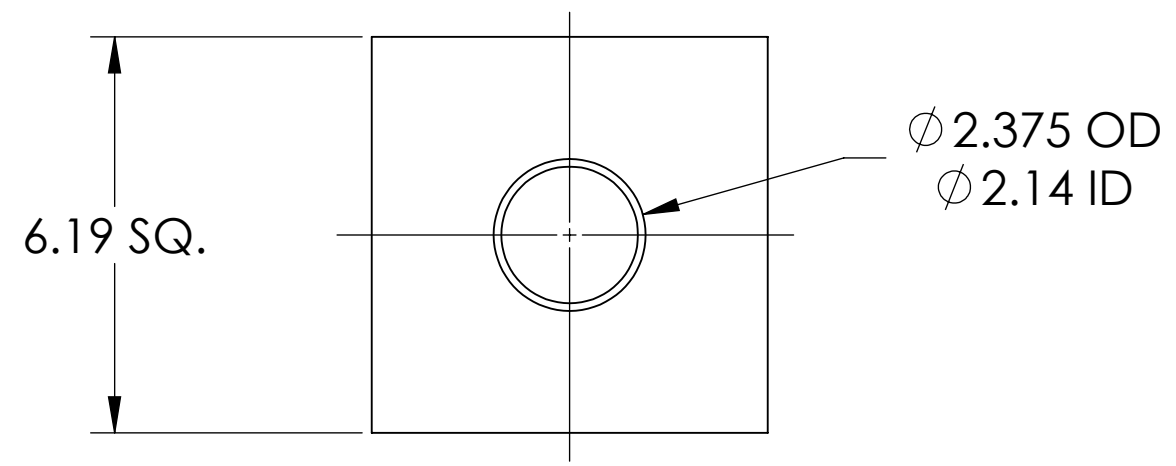


4

3


2

1



All dimensions and specifications are subject to change without any notice.

**PROPRIETARY AND CONFIDENTIAL**  
THE INFORMATION CONTAINED IN THIS DRAWING IS THE SOLE PROPERTY OF *Energy Light, Inc.* ANY REPRODUCTION IN PART OR AS A WHOLE WITHOUT THE WRITTEN PERMISSION OF *Energy Light, Inc.* IS PROHIBITED.

		UNLESS OTHERWISE SPECIFIED:		NAME	DATE	TITLE:	
		DIMENSIONS ARE IN INCHES TOLERANCES: FRACTIONAL: $\pm 1/64$ ANGULAR: $\pm 0.5^\circ$ TWO PLACE DECIMAL $\pm 0.01$ THREE PLACE DECIMAL $\pm 0.005$		DRAWN	MKA	01-06-21	<b>Tenon Adapter for 6" SQ. Poles</b>
		INTERPRET GEOMETRIC TOLERANCING PER:		ENG APPR.			
		MATERIAL		MFG APPR.			
		STEEL		Q.A.			SIZE
NEXT ASSY	USED ON	FINISH		 Energy Light, Inc. 1881 Rose Road Lake Zurich, IL 60047		ITEM NO.	
APPLICATION		DO NOT SCALE DRAWING				10031	
				SCALE: 1:3		WEIGHT: 6 lbs	SHEET 1 OF 1

4

3

2

1

B

B

A

A