

4

3

2

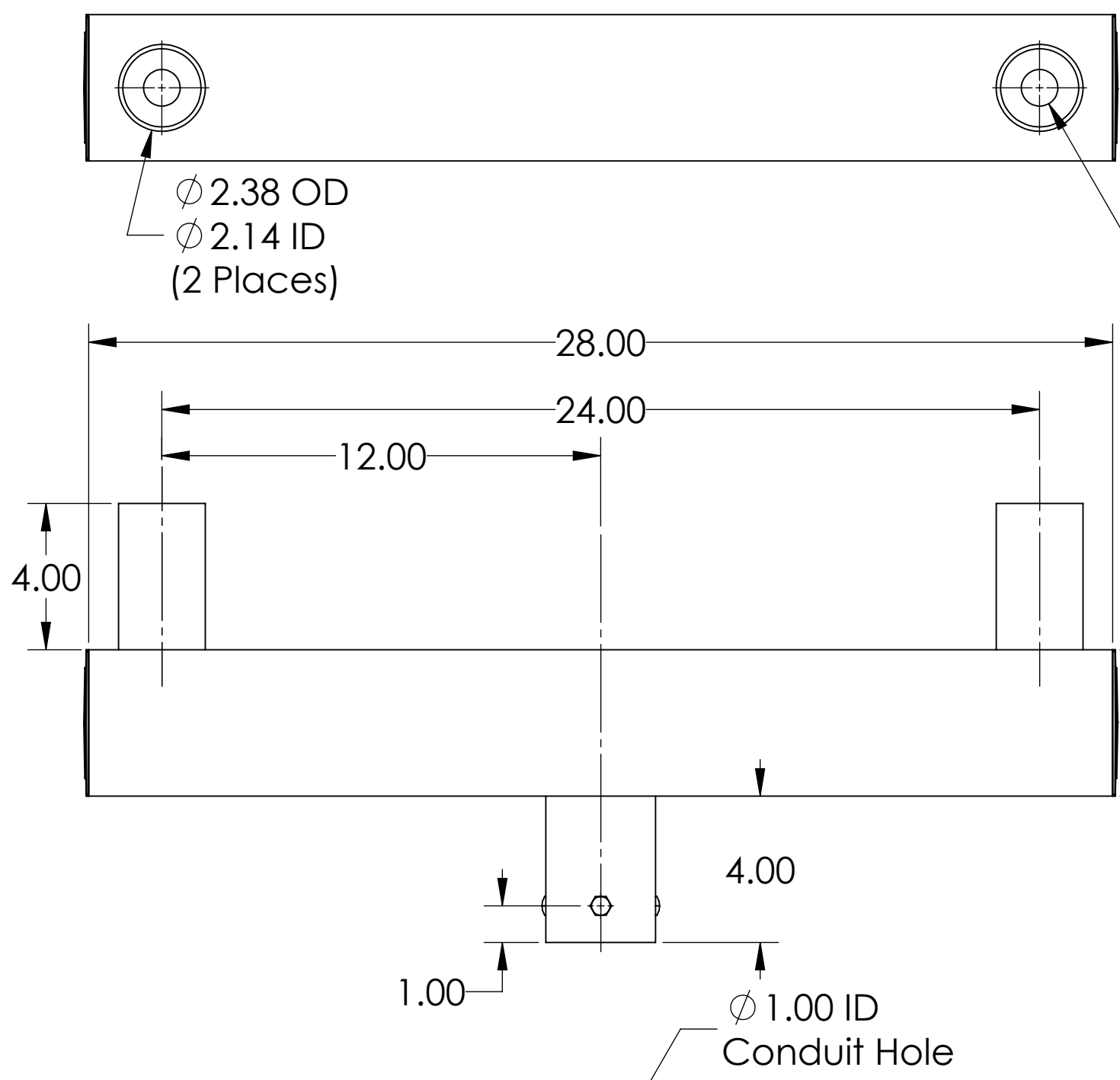
1

B

B

A

A

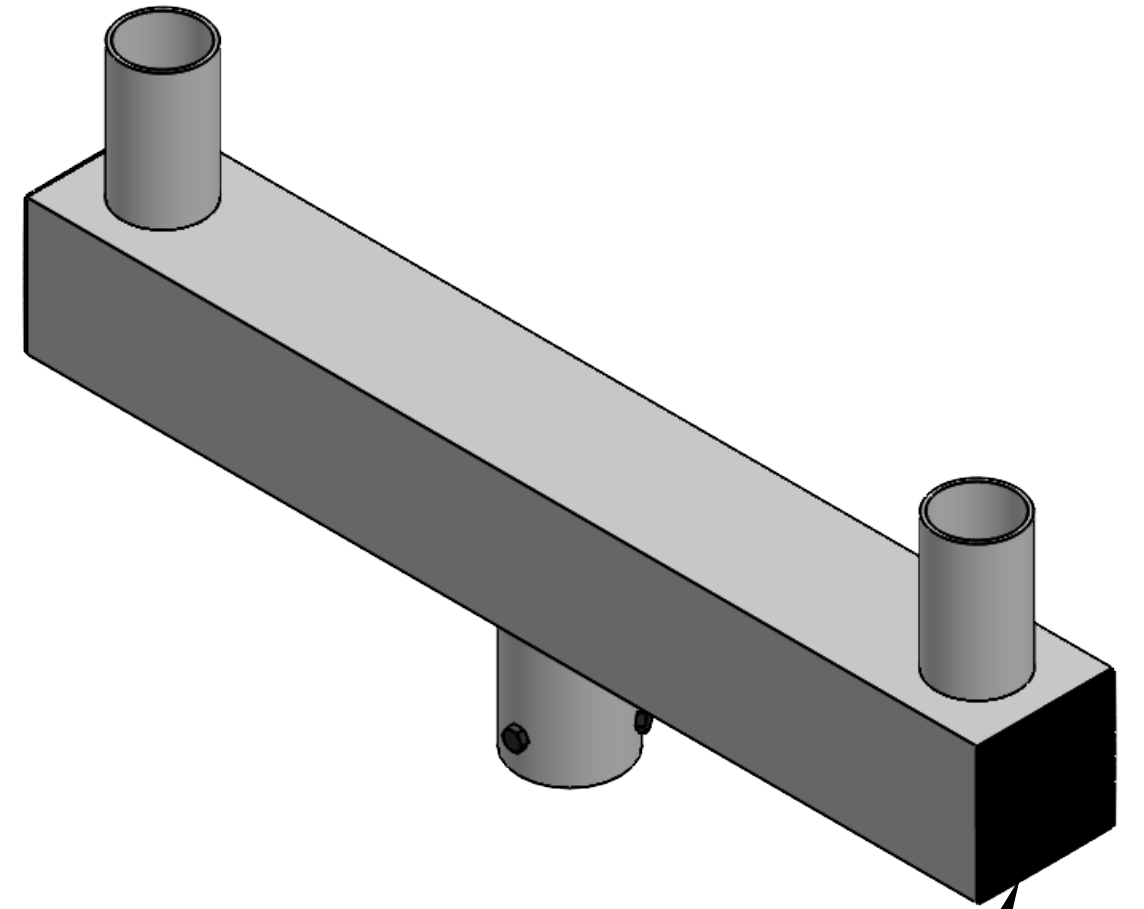


Ø 1.00 ID
Conduit
Hole
(2 Places)

Ø 2.38 OD
Ø 2.14 ID
(2 Places)

4.00 SQ. OD
3.76 SQ ID

Ø 1.00 ID
Conduit Hole




4" Standard
Square Pole
Cap
(2 Places)

Hex Head Screw
Black Oxide
M8 x 1.25 Thread, 25mm
3 Places 120° Apart

Ø 3.00 OD
Ø 2.76 ID
Slip Fitter

All dimensions and specifications are
subject to change without any notice.

PROPRIETARY AND CONFIDENTIAL
THE INFORMATION CONTAINED IN
THIS DRAWING IS THE SOLE
PROPERTY OF **Energy Light, Inc.**
ANY REPRODUCTION IN PART OR
AS A WHOLE WITHOUT THE WRITTEN
PERMISSION OF **Energy Light, Inc.**
IS PROHIBITED.

		UNLESS OTHERWISE SPECIFIED:		NAME	DATE	TITLE:		
		DIMENSIONS ARE IN INCHES TOLERANCES: FRACTIONAL ± 1/64 ANGULAR: ± 0.5° TWO PLACE DECIMAL ±0.01 THREE PLACE DECIMAL ±0.005		DRAWN	MKA	11-18-20	Low Profile Bullhorn with 2 Tenons	
		INTERPRET GEOMETRIC TOLERANCING PER:		ENG APPR.				
		MATERIAL STEEL		MFG APPR.				
NEXT ASSY	USED ON	FINISH		Q.A.			SIZE B	
APPLICATION		DO NOT SCALE DRAWING		 Energy Light, Inc. 1881 Rose Road Lake Zurich, IL 60047		ITEM NO. 10034	REV	
						SCALE: 1:4	WEIGHT: 16 lbs	SHEET 1 OF 1

4

3

2

1