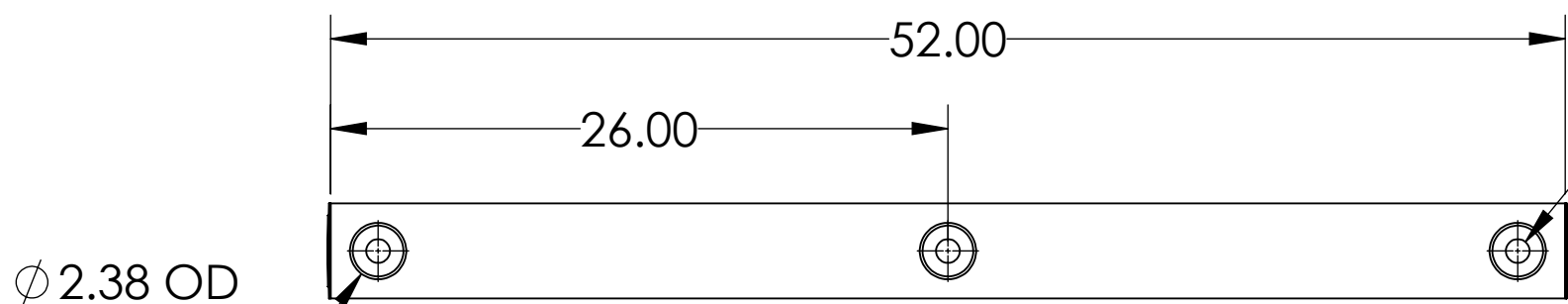


4

3

2

1

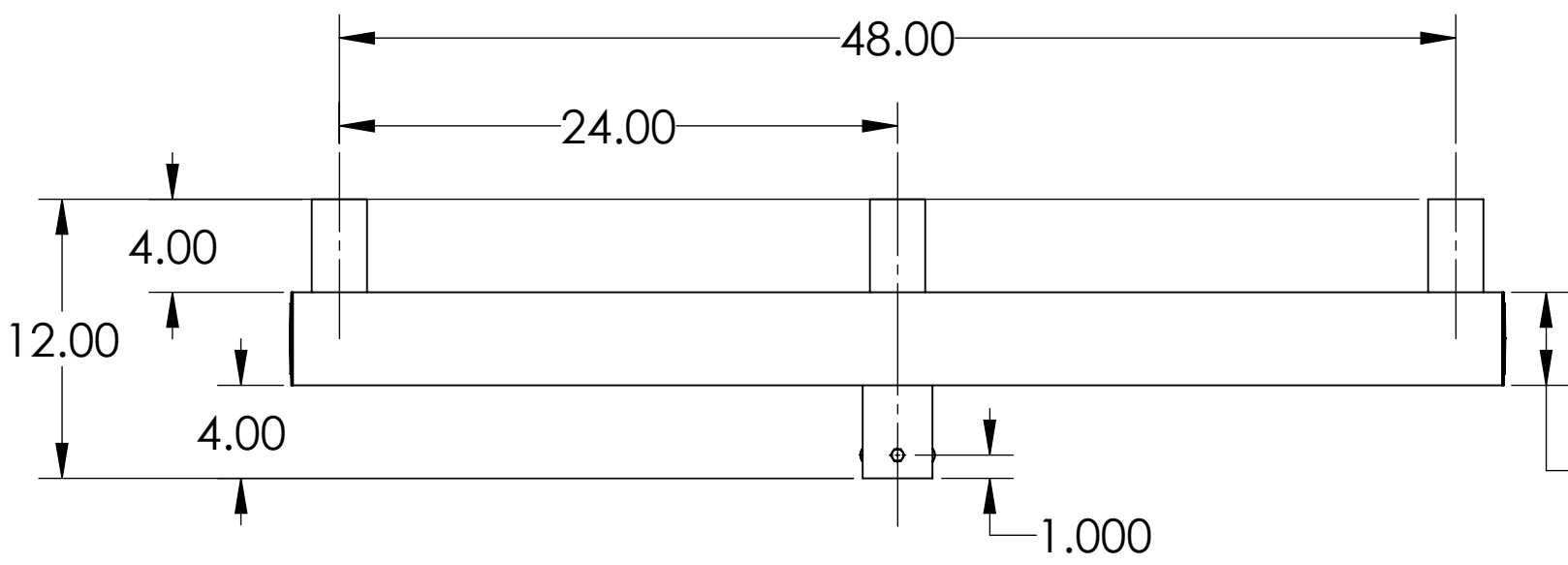


ϕ 2.38 OD
 ϕ 2.14 ID
 Tenon
 (3 Places)

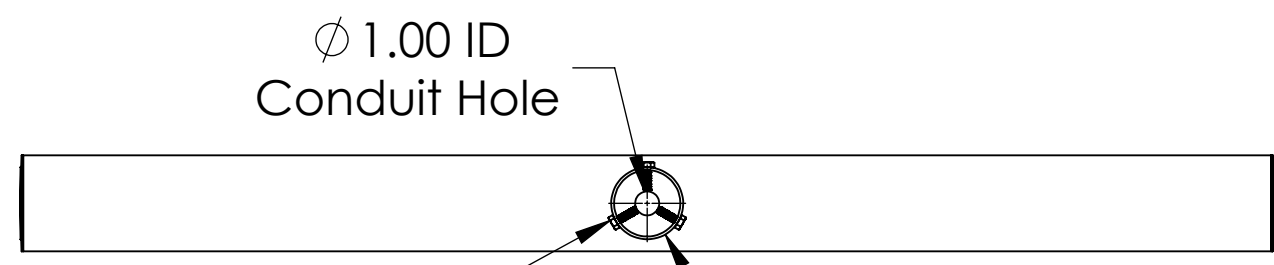
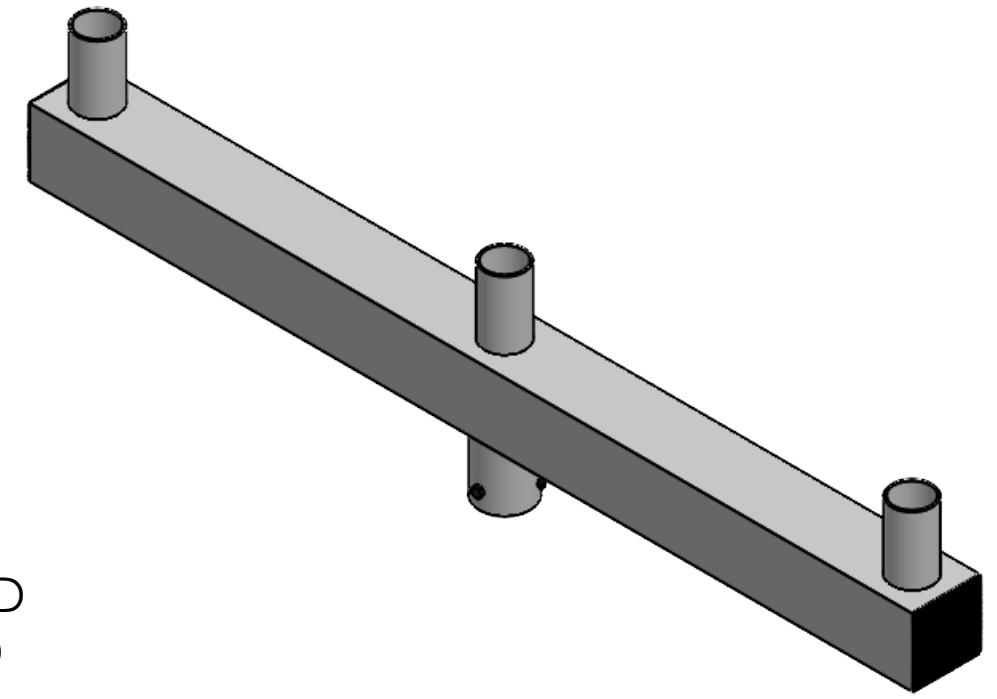
ϕ 1.00 ID
 Conduit Hole
 (3 Places)

B

B



4.00 SQ. OD
 3.76 SQ ID



ϕ 1.00 ID
 Conduit Hole

4" Standard
 Square Pole
 Cap
 (2 Places)

A


A

Hex Head Screw
 Black Oxide
 M8 x 1.25 Thread, 25mm
 3 Places 120° Apart

ϕ 3.00 OD
 ϕ 2.76 ID
 Slip Fit

All dimensions and specifications are subject to change without any notice.

PROPRIETARY AND CONFIDENTIAL
 THE INFORMATION CONTAINED IN THIS DRAWING IS THE SOLE PROPERTY OF *Energy Light, Inc.* ANY REPRODUCTION IN PART OR AS A WHOLE WITHOUT THE WRITTEN PERMISSION OF *Energy Light, Inc.* IS PROHIBITED.

		UNLESS OTHERWISE SPECIFIED:		NAME	DATE
		DIMENSIONS ARE IN INCHES		DRAWN	MKA
		TOLERANCES:		ENG APPR.	
		FRACTIONAL: $\pm 1/64$		MFG APPR.	
		ANGULAR: $\pm 0.5^\circ$		Q.A.	
		TWO PLACE DECIMAL ± 0.01			
		THREE PLACE DECIMAL ± 0.005			
		INTERPRET GEOMETRIC TOLERANCING PER:		 Energy Light, Inc. 1881 Rose Road Lake Zurich, IL 60047	
		MATERIAL			
		STEEL			
NEXT ASSY	USED ON	FINISH			
APPLICATION		DO NOT SCALE DRAWING			

TITLE:		
Low Profile Bullhorn with 3 Tenons Inline		
SIZE	ITEM NO.	REV
B	10035	
SCALE: 1:8	WEIGHT: 31 lbs	SHEET 1 OF 1

4

3

2

1