

4

3

2

1

Ø 2.38 OD
Ø 2.14 ID
(3 Places)

20.78 REF

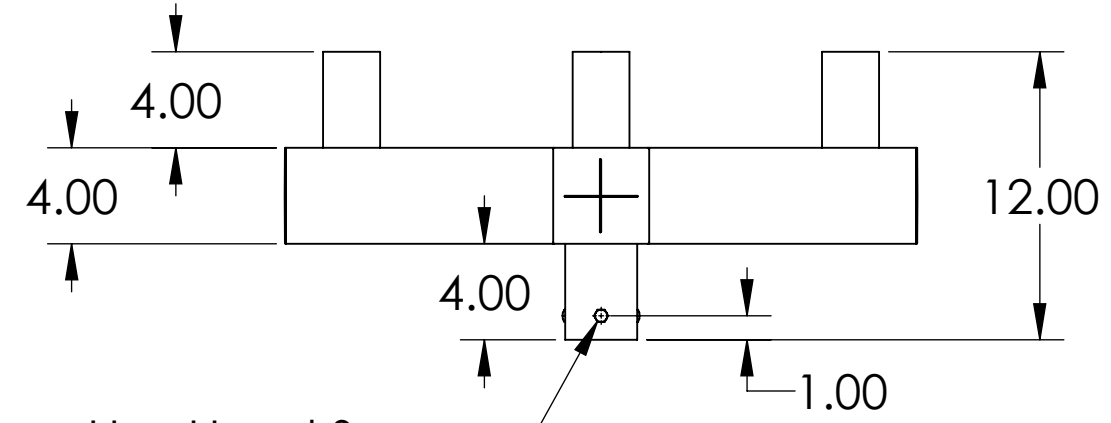
120°
TYP

4.00

(3) Ø 1.00
To Break Thru

Ø 24.00

14.00
12.00



Hex Head Screw
Black Coated
M8 x 1.25 Thread, 25mm
3 Places 120° Apart

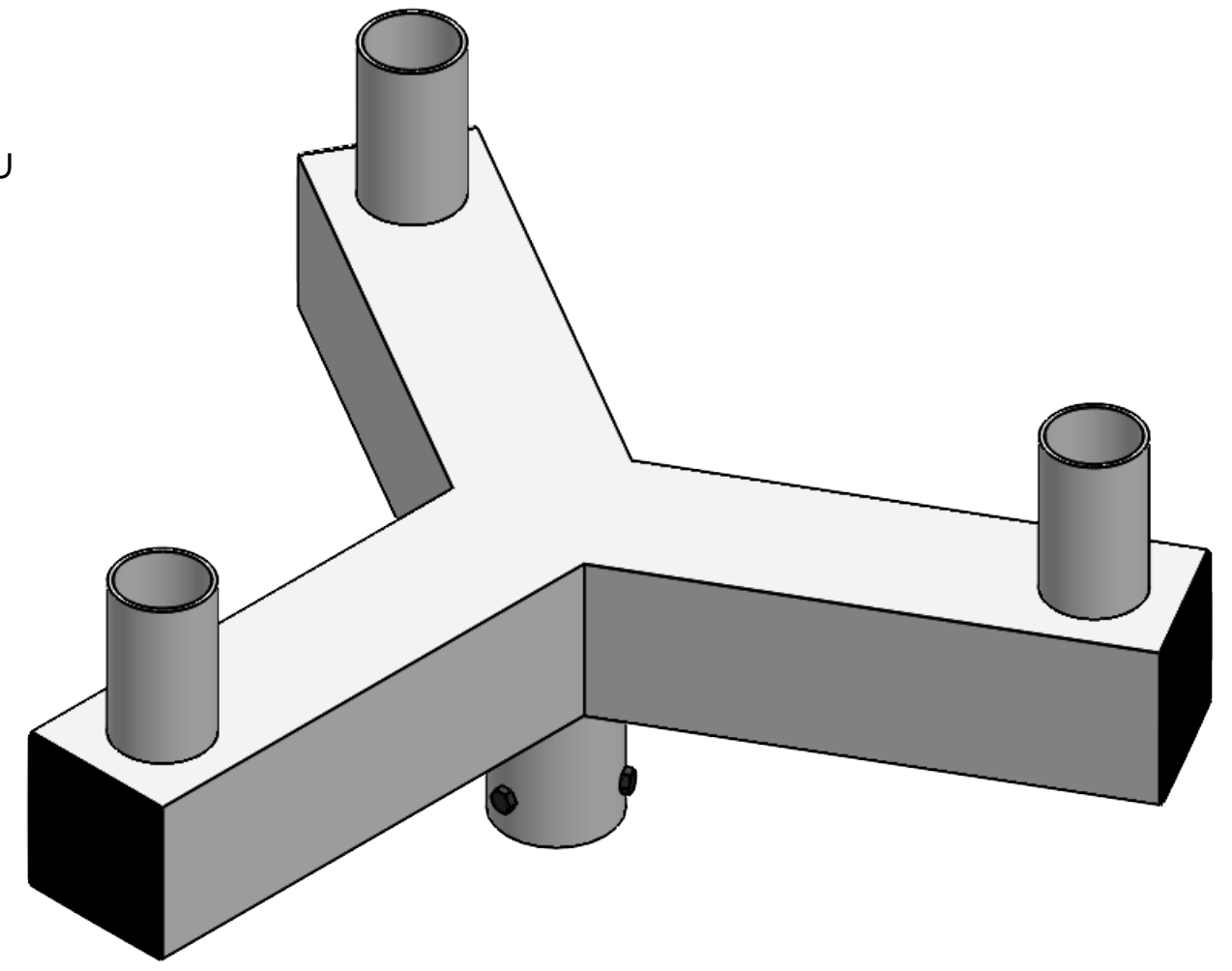
Ø 1.00
To Break Thru


Ø 3.00 OD
Ø 2.76 ID

4" Standard
Square Pole
Cap (3 Places)

All dimensions and specifications are
subject to change without any notice.

PROPRIETARY AND CONFIDENTIAL
THE INFORMATION CONTAINED IN
THIS DRAWING IS THE SOLE
PROPERTY OF *Energy Light, Inc.*
ANY REPRODUCTION IN PART OR
AS A WHOLE WITHOUT THE WRITTEN
PERMISSION OF *Energy Light, Inc.*
IS PROHIBITED.



		UNLESS OTHERWISE SPECIFIED:		NAME	DATE
		DIMENSIONS ARE IN INCHES		DRAWN	MKA 10-19-20
		TOLERANCES:		ENG APPR.	
		FRACTIONAL ± 1/64		MFG APPR.	
		ANGULAR: ± 0.5°		Q.A.	
		TWO PLACE DECIMAL ±0.01			
		THREE PLACE DECIMAL ±0.005			
		INTERPRET GEOMETRIC TOLERANCING PER:		 Energy Light, Inc 1881 Rose Road Lake Zurich, IL 60047	
		MATERIAL			
		STEEL			
NEXT ASSY	USED ON	FINISH			
APPLICATION		DO NOT SCALE DRAWING			

TITLE:		
Low Profile Bullhorn with 3 Tenons at 120°		
SIZE	ITEM NO.	REV
B	10036	
SCALE: 1:8	WEIGHT: 25 lbs	SHEET 1 OF 1

4

3

2

1

B

B

A

A