

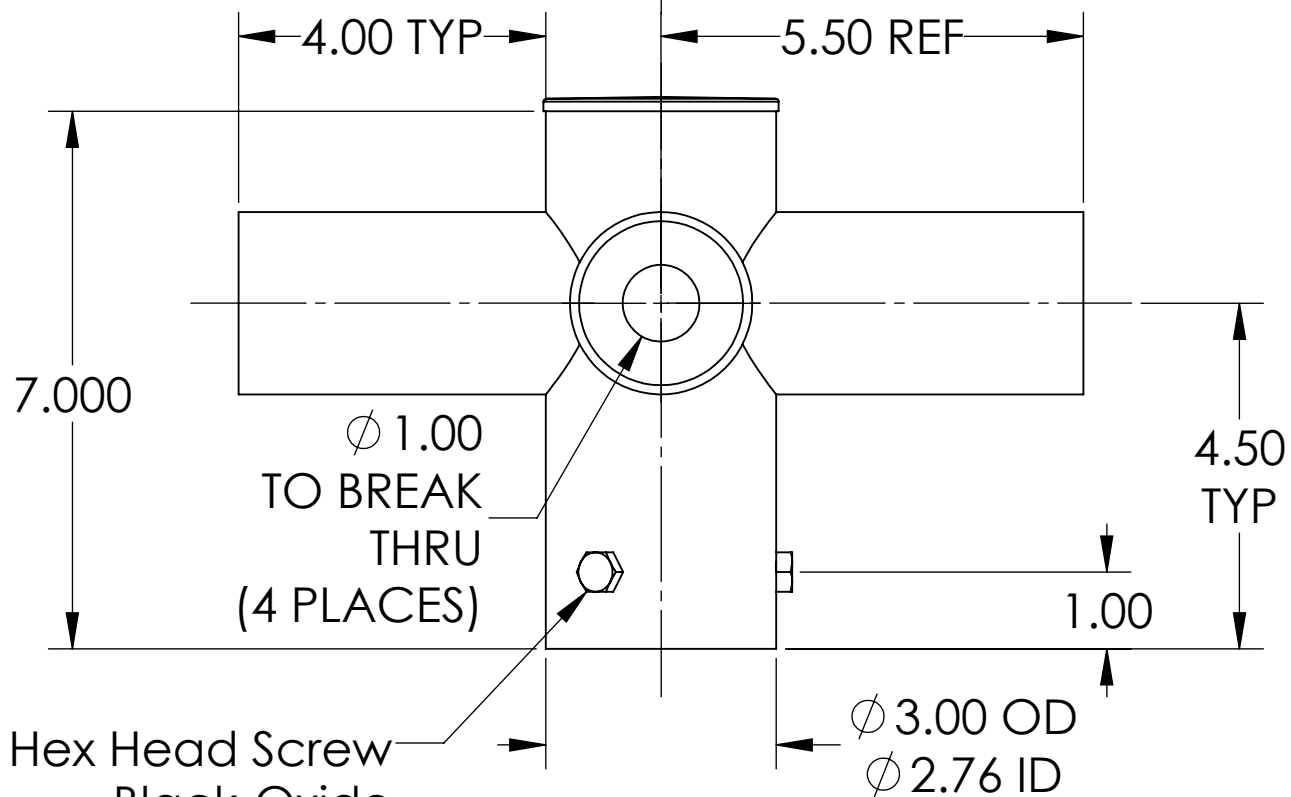
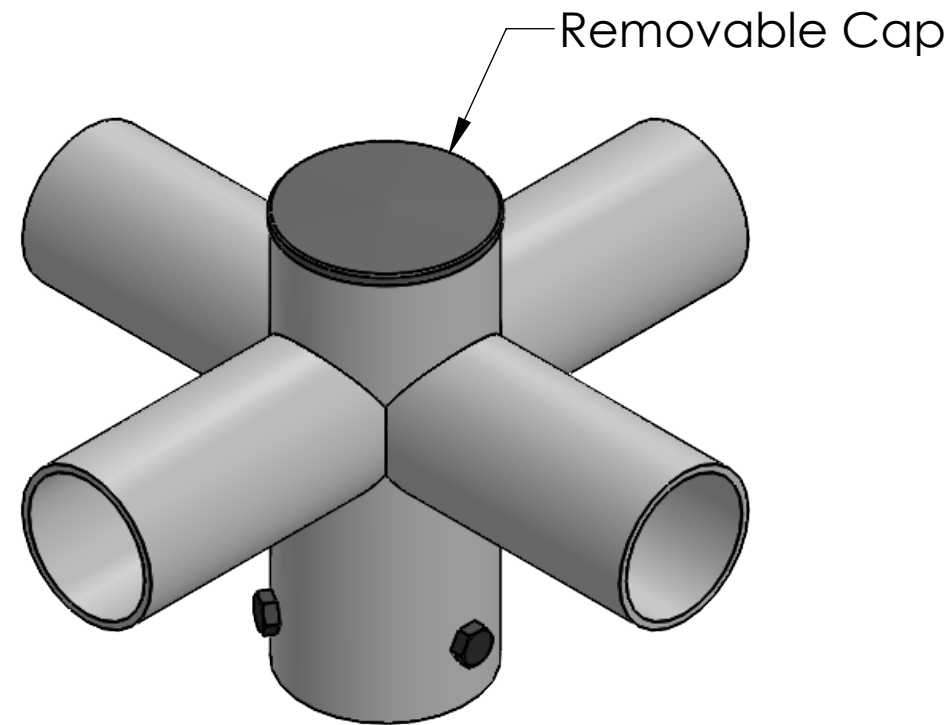
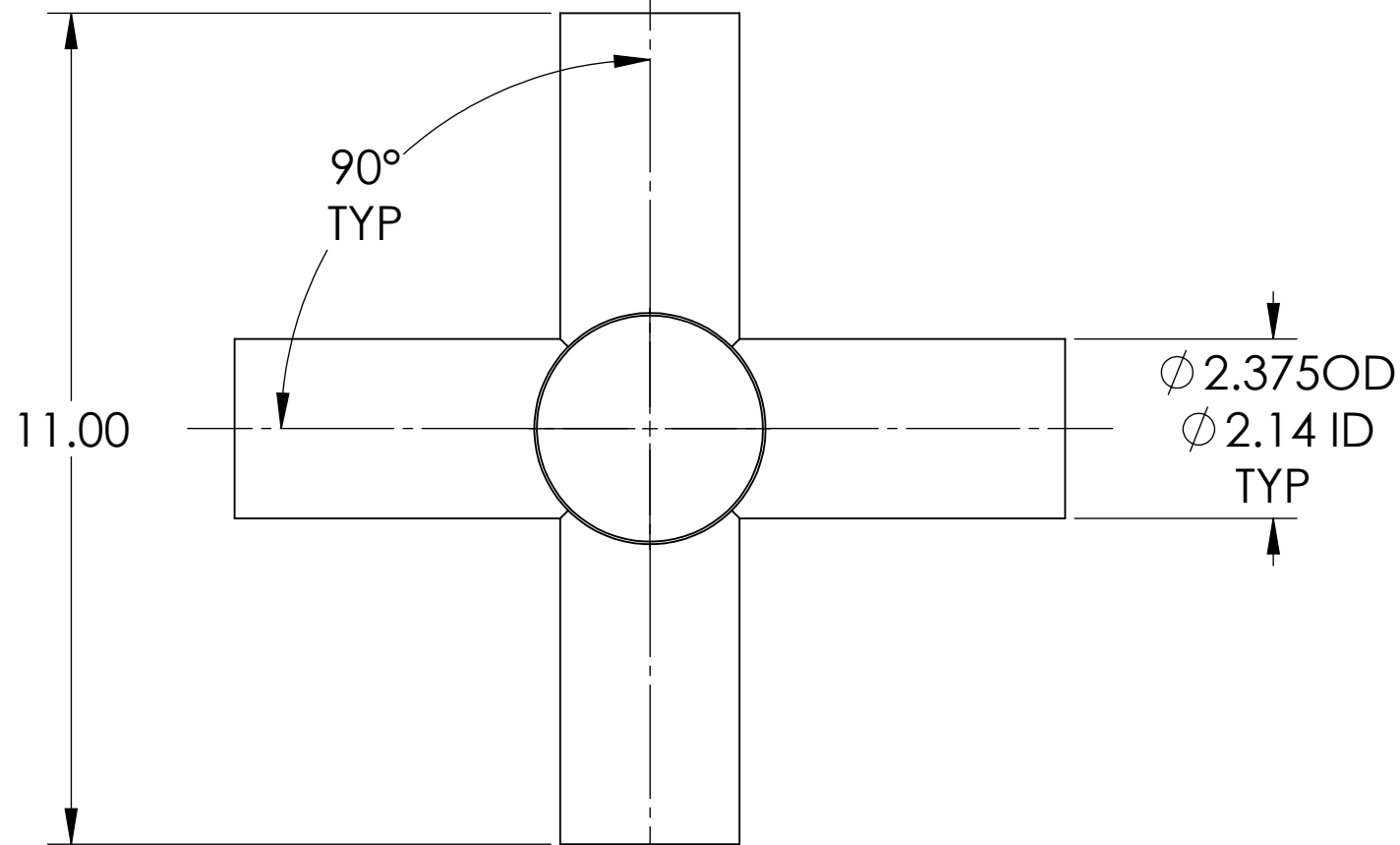
4 3 2 1

B

A

B

A



Hex Head Screw
Black-Oxide
M8 x 1.25 25mm Long
(3 Places 120° Apart)

All dimensions and specifications are
subject to change without any notice.

PROPRIETARY AND CONFIDENTIAL
THE INFORMATION CONTAINED IN
THIS DRAWING IS THE SOLE
PROPERTY OF *Energy Light, Inc.*
ANY REPRODUCTION IN PART OR
AS A WHOLE WITHOUT THE WRITTEN
PERMISSION OF *Energy Light, Inc.*
IS PROHIBITED.

		UNLESS OTHERWISE SPECIFIED:		NAME	DATE	TITLE:	
		DIMENSIONS ARE IN INCHES TOLERANCES: FRACTIONAL ± 1/64 ANGULAR: ± 0.5° TWO PLACE DECIMAL ±0.01 THREE PLACE DECIMAL ±0.005		DRAWN	MKA	01-15-21	Tenon Adapter with Four Horizontal 90 Degree Tenons
		INTERPRET GEOMETRIC TOLERANCING PER:		ENG APPR.			
		MATERIAL STEEL		MFG APPR.			
		FINISH		Q.A.			SIZE
NEXT ASSY	USED ON	APPLICATION		DO NOT SCALE DRAWING		ITEM NO. B 10044	
				Energy Light, Inc. 1881 Rose Road Lake Zurich, IL 60047		REV	
						SCALE: 1:2.5 WEIGHT: 7 lbs SHEET 1 OF 1	

4 3 2 1