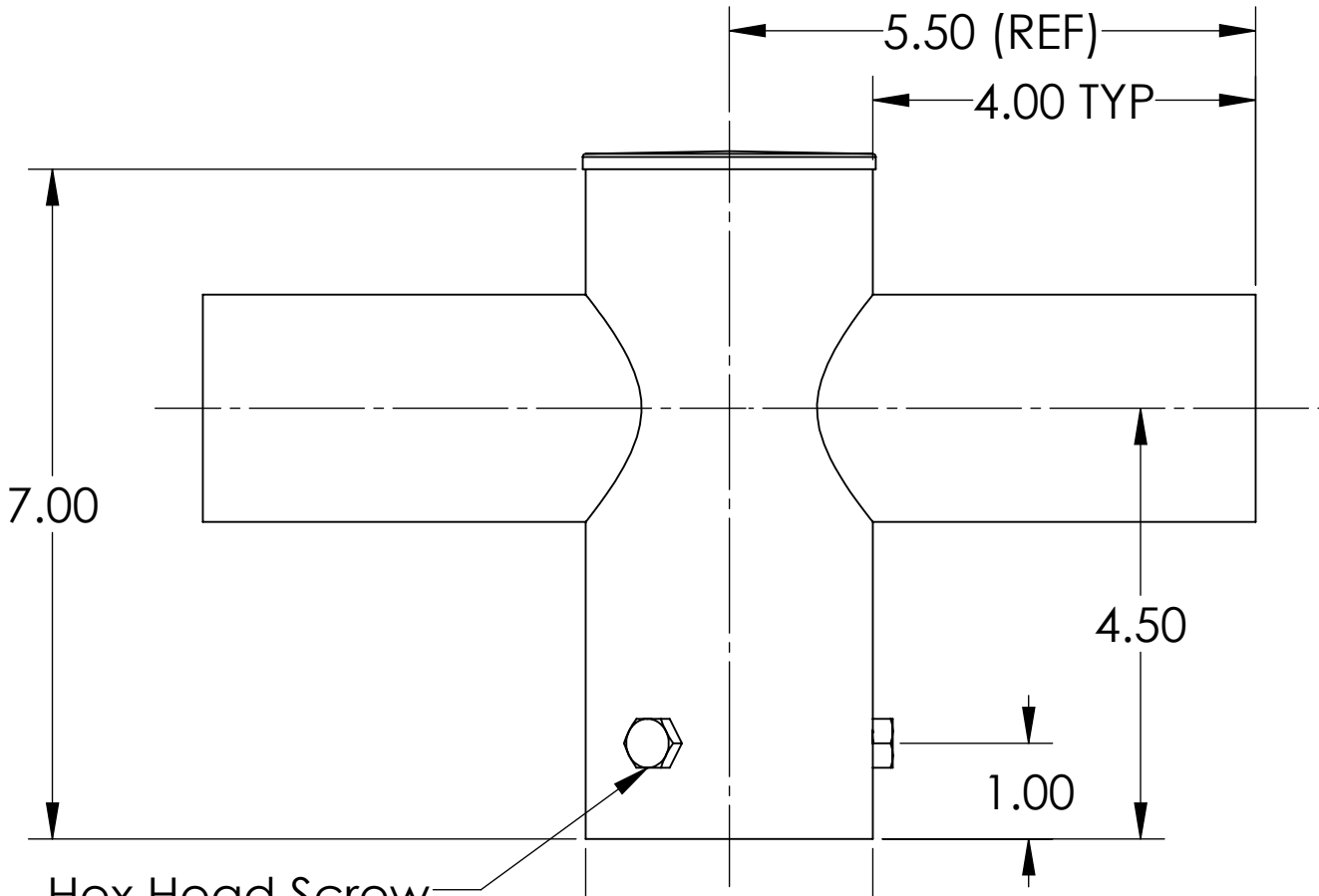
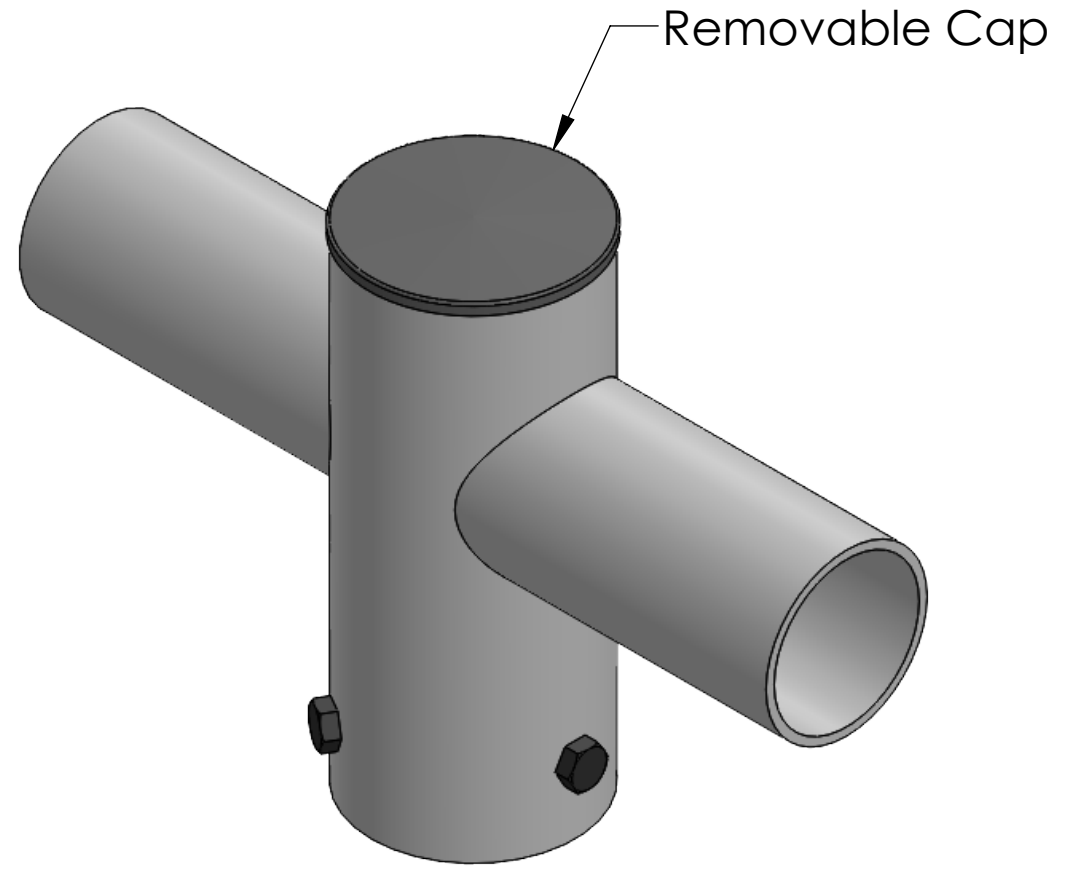
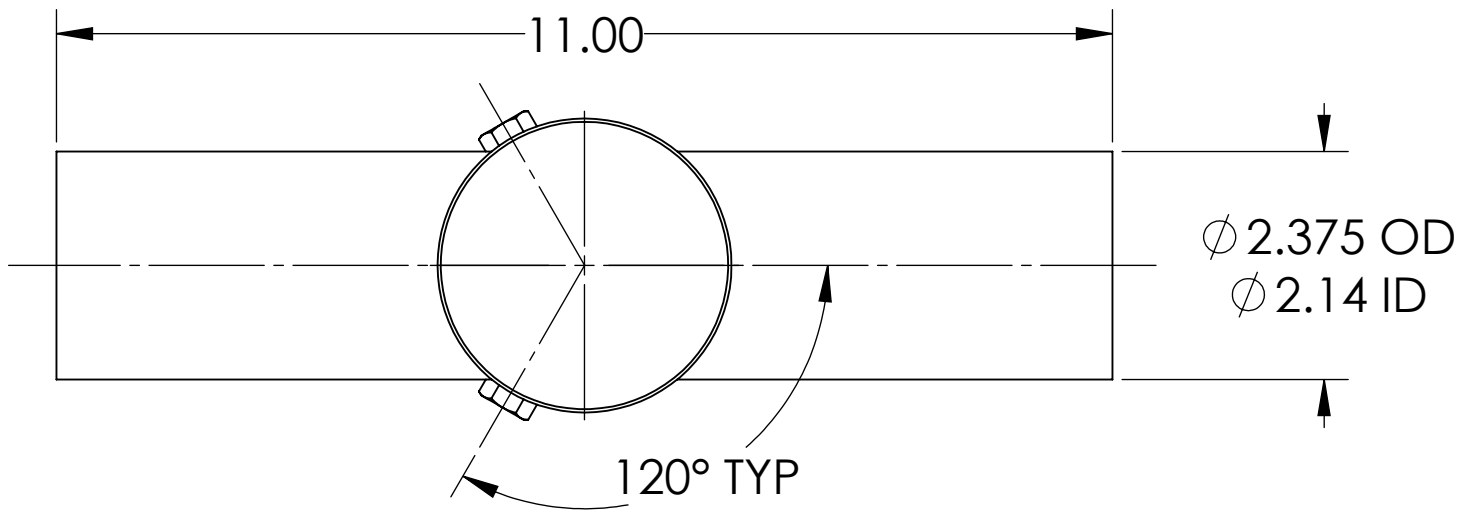


4

3

2


1



Hex Head Screw
Black-Oxide
M8 x 1.25 25mm Long
(3 Places
120° Apart)

All dimensions and specifications are subject to change without any notice.

PROPRIETARY AND CONFIDENTIAL
THE INFORMATION CONTAINED IN THIS DRAWING IS THE SOLE PROPERTY OF *Energy Light, Inc.* ANY REPRODUCTION IN PART OR AS A WHOLE WITHOUT THE WRITTEN PERMISSION OF *Energy Light, Inc.* IS PROHIBITED.

| | | | | | | | |
|-------------|---------|--|--|--|------|--------------------------|--|
| | | UNLESS OTHERWISE SPECIFIED: | | NAME | DATE | TITLE: | |
| | | DIMENSIONS ARE IN INCHES TOLERANCES: FRACTIONAL \pm 1/64 ANGULAR: \pm 0.5° TWO PLACE DECIMAL \pm 0.01 THREE PLACE DECIMAL \pm 0.005 | | DRAWN | MKA | 01-14-21 | Tenon Adapter with Two Horizontal Tenons |
| | | INTERPRET GEOMETRIC TOLERANCING PER: | | ENG APPR. | | | |
| | | MATERIAL STEEL | | MFG APPR. | | | |
| NEXT ASSY | USED ON | FINISH | | Q.A. | | | SIZE B |
| APPLICATION | | DO NOT SCALE DRAWING | |  Energy Light, Inc. 1881 Rose Road Lake Zurich, IL 60047 | | ITEM NO. 10045 | REV |
| | | | | SCALE: 1:2 | | WEIGHT: 6 lbs | SHEET 1 OF 1 |

4

3

2

1

B

B

A

A