

4

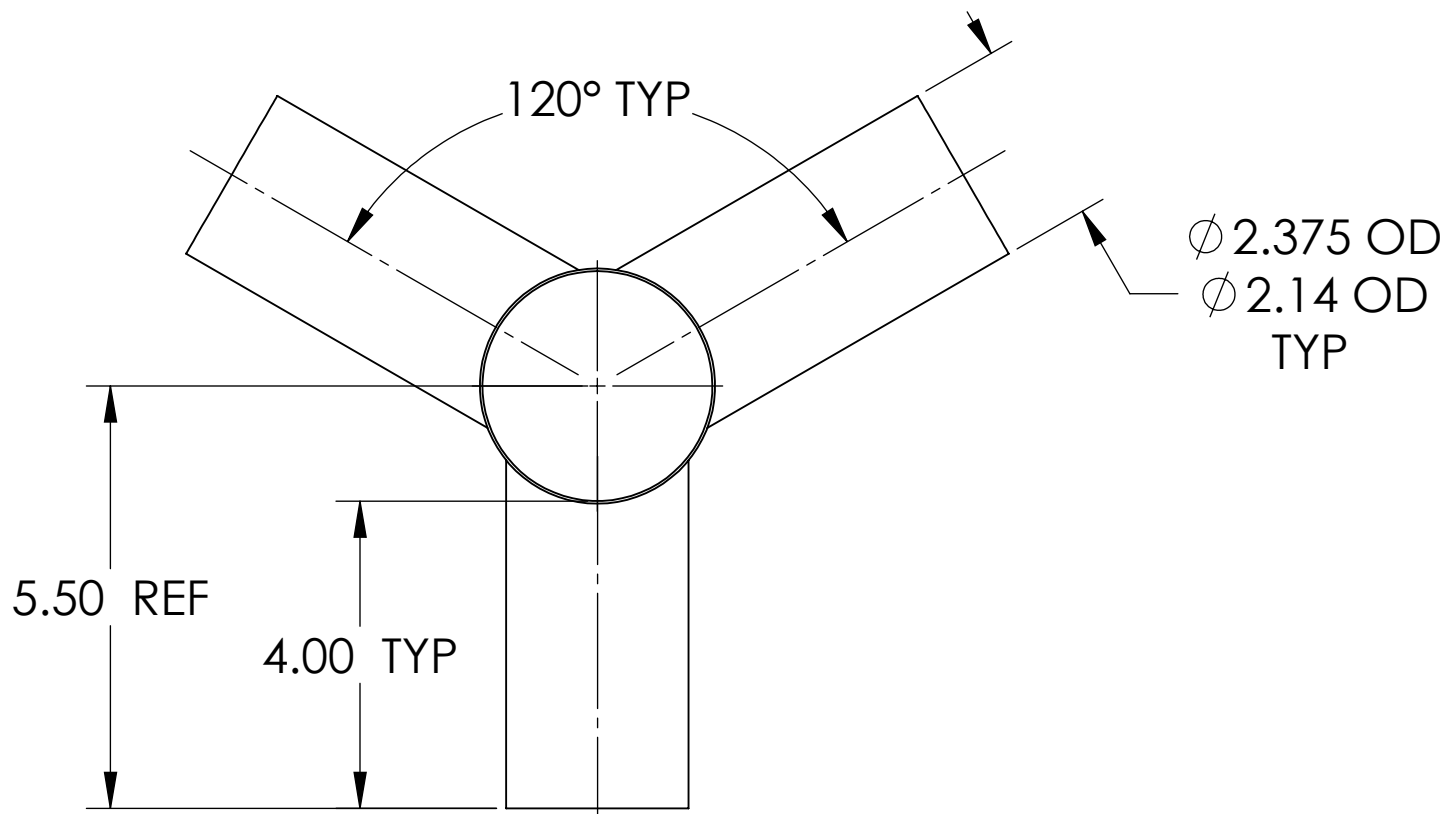
3

2

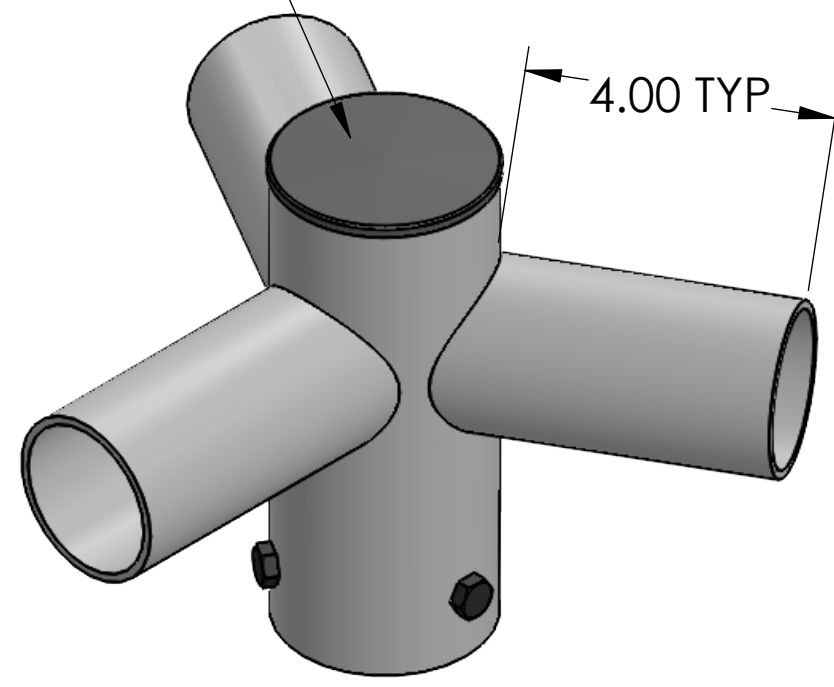
1

B

B

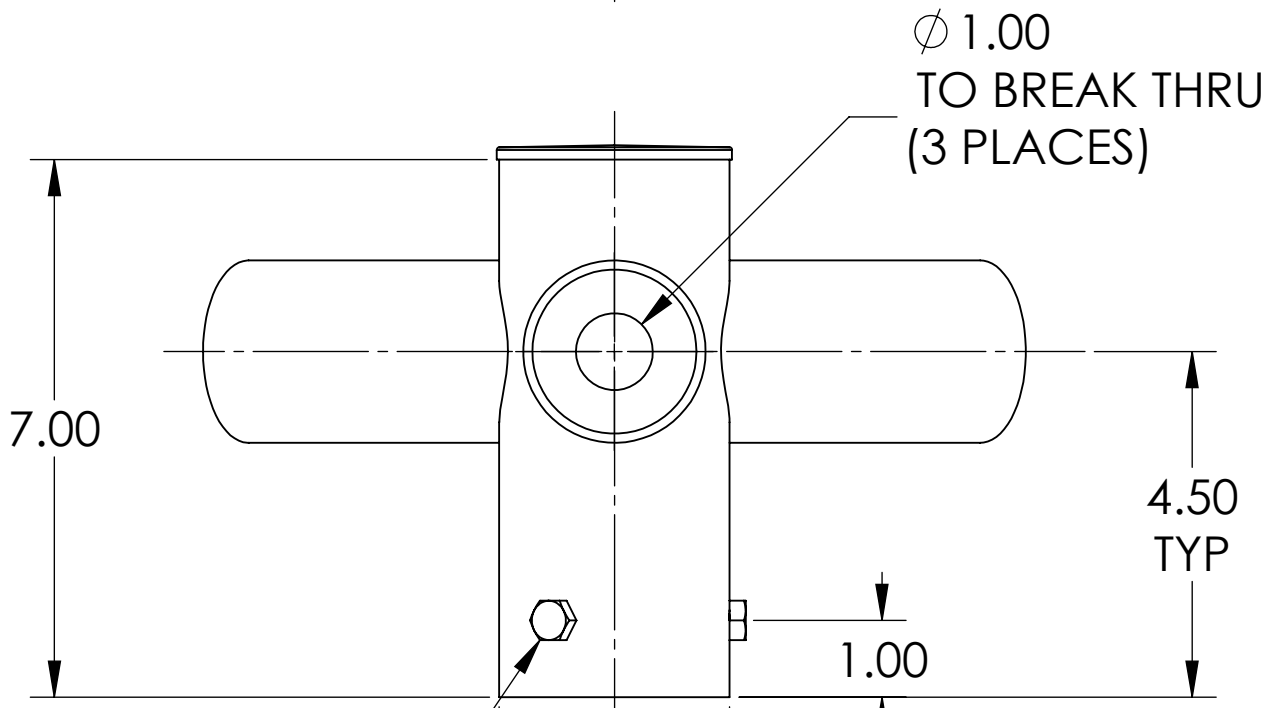


Removable Cap



A


A



Hex Head Screw  
Black-Oxide  
M8 x 1.25 25mm Long  
(3 Places 120° Apart)

All dimensions and specifications are subject to change without any notice.

**PROPRIETARY AND CONFIDENTIAL**  
THE INFORMATION CONTAINED IN THIS DRAWING IS THE SOLE PROPERTY OF *Energy Light, Inc.* ANY REPRODUCTION IN PART OR AS A WHOLE WITHOUT THE WRITTEN PERMISSION OF *Energy Light, Inc.* IS PROHIBITED.

		UNLESS OTHERWISE SPECIFIED:		NAME	DATE	TITLE:	
		DIMENSIONS ARE IN INCHES		DRAWN	MKA	Tenon Adapter with	
		TOLERANCES:		ENG APPR.		Three Horizontal	
		FRACTIONAL ± 1/64		MFG APPR.		120 Degree Tenons	
		ANGULAR: ± 0.5°		Q.A.		SIZE	ITEM NO.
		TWO PLACE DECIMAL ±0.01				<b>B</b>	10046
		THREE PLACE DECIMAL ±0.005				SCALE: 1:2.5	WEIGHT: 6 lbs
		INTERPRET GEOMETRIC TOLERANCING PER:		 Energy Light, Inc. 1881 Rose Road Lake Zurich, IL 60047		REV	
		MATERIAL				SHEET 1 OF 1	
		STEEL					
NEXT ASSY	USED ON	FINISH					
APPLICATION		DO NOT SCALE DRAWING					

4

3

2

1