

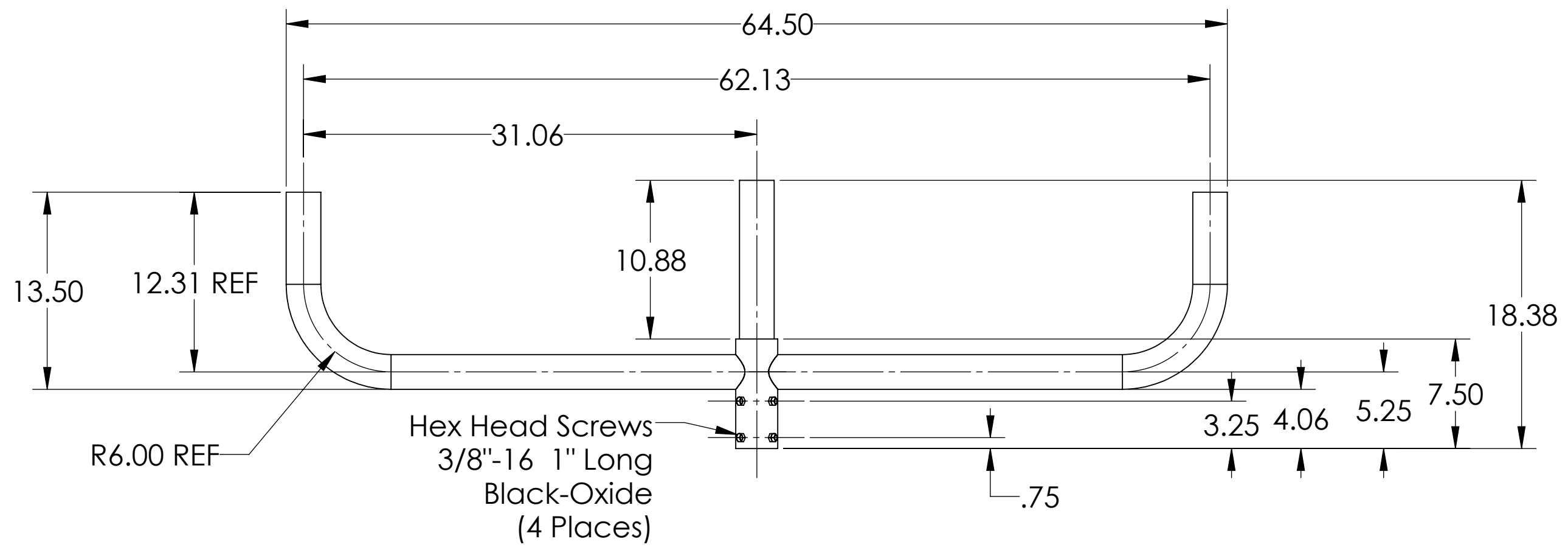
4

3

2

1

Ø 2.38 OD
Ø 2.18 ID
(3 Places)




Hex Head Screws
3/8"-16 1" Long
Black-Oxide
(4 Places)

Ø 2.88 OD
Ø 2.49 ID

All dimensions and specifications are subject to change without any notice.

PROPRIETARY AND CONFIDENTIAL
THE INFORMATION CONTAINED IN THIS DRAWING IS THE SOLE PROPERTY OF *Energy Light, Inc.* ANY REPRODUCTION IN PART OR AS A WHOLE WITHOUT THE WRITTEN PERMISSION OF *Energy Light, Inc.* IS PROHIBITED.

		UNLESS OTHERWISE SPECIFIED:		NAME	DATE	TITLE: Steel Bullhorn with 3 Arms Inline		
		DIMENSIONS ARE IN INCHES TOLERANCES: FRACTIONAL ± 1/64 ANGULAR: ± 0.5° TWO PLACE DECIMAL ±0.01 THREE PLACE DECIMAL ±0.005		DRAWN	MKA			10-19-20
		INTERPRET GEOMETRIC TOLERANCING PER:		ENG APPR.				
		MATERIAL STEEL		MFG APPR.				
NEXT ASSY	USED ON	FINISH		 Energy Light, Inc 1881 Rose Road Lake Zurich, IL 60047		SIZE	ITEM NO.	REV
APPLICATION		DO NOT SCALE DRAWING				B	10065	
						SCALE: 1:8	WEIGHT: 28 Lbs	SHEET 1 OF 2

4

3

2

1

B

B

A

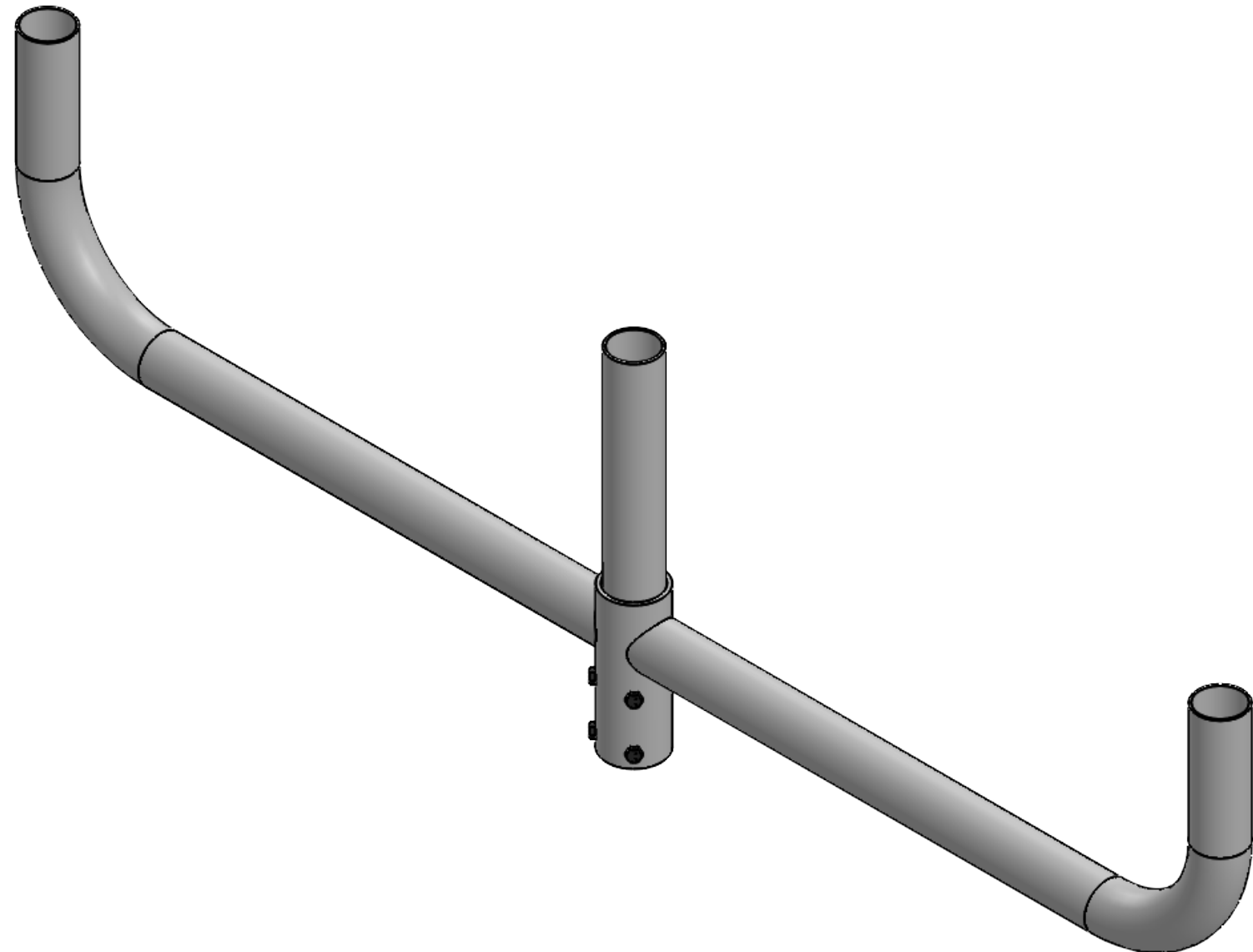
A

4

3

2

1



B

B

A

A

4


3

2

1

All dimensions and specifications are subject to change without any notice.

PROPRIETARY AND CONFIDENTIAL
 THE INFORMATION CONTAINED IN THIS DRAWING IS THE SOLE PROPERTY OF *Energy Light, Inc.* ANY REPRODUCTION IN PART OR AS A WHOLE WITHOUT THE WRITTEN PERMISSION OF *Energy Light, Inc.* IS PROHIBITED.

		UNLESS OTHERWISE SPECIFIED:		NAME	DATE	TITLE: Steel Bullhorn with 3 Arms Inline			
		DIMENSIONS ARE IN INCHES		DRAWN	MKA			10-19-20	
		TOLERANCES:		ENG APPR.					
		FRACTIONAL: $\pm 1/64$		MFG APPR.					
		ANGULAR: $\pm 0.5^\circ$		Q.A.					
		TWO PLACE DECIMAL ± 0.01							
		THREE PLACE DECIMAL ± 0.005							
		INTERPRET GEOMETRIC TOLERANCING PER:		 Energy Light, Inc 800 E. Northway Highway Palatine, IL 60074			SIZE	ITEM NO.	REV
		MATERIAL					B	10065	
		Aluminum							
NEXT ASSY	USED ON	FINISH					SCALE: 1:8	WEIGHT: 28 lbs	SHEET 2 OF 2
APPLICATION		DO NOT SCALE DRAWING							