

4

3

2

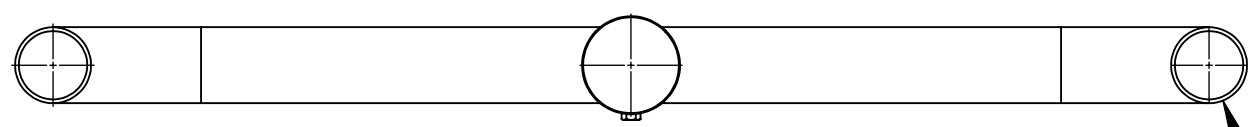
1

B

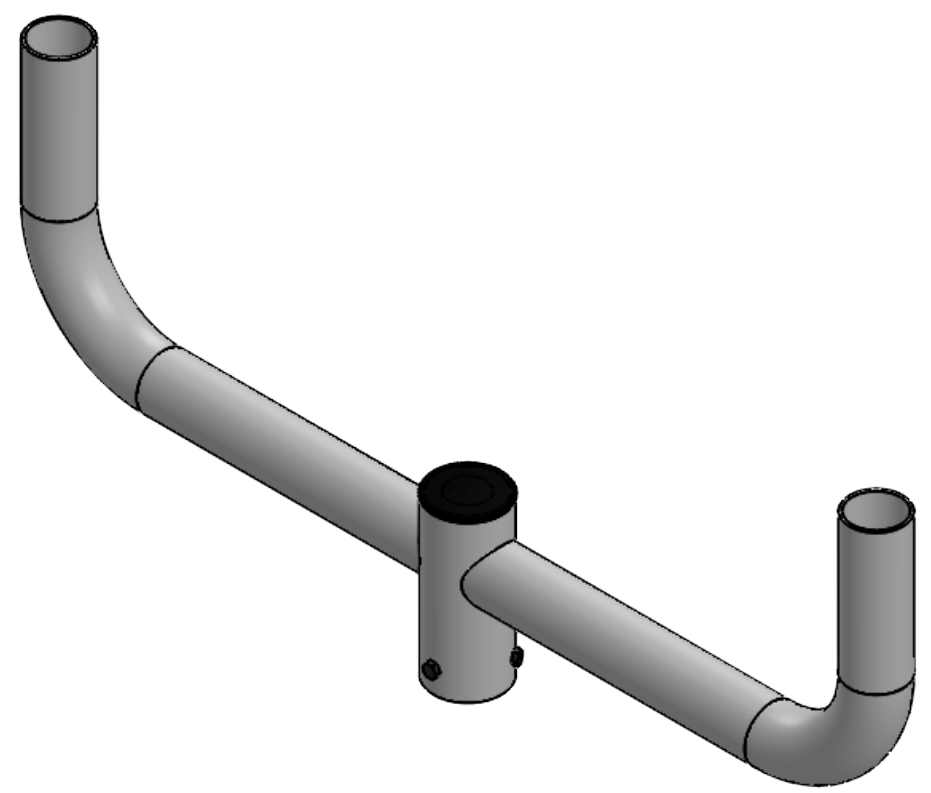
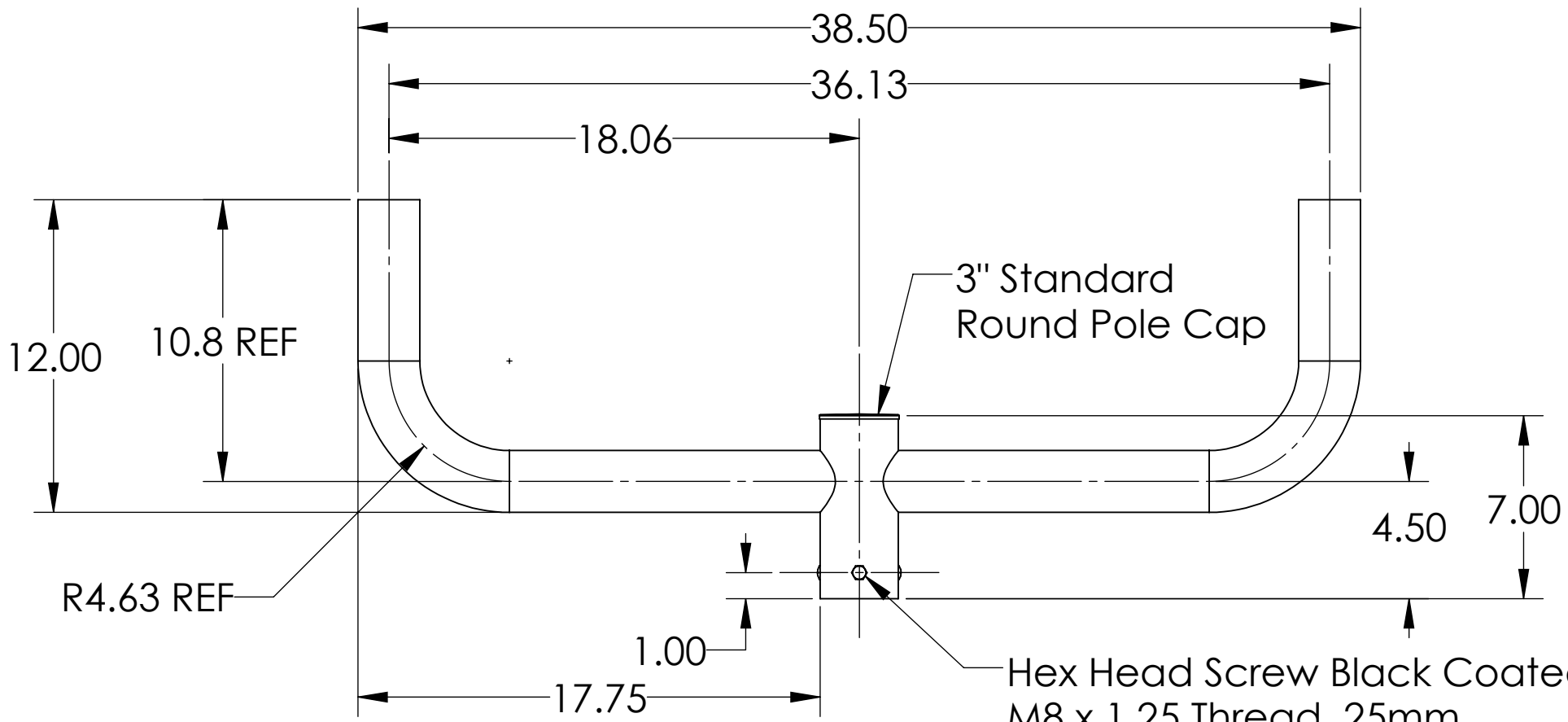
B

A

A




Ø 2.38 OD
Ø 2.14 ID



Ø 3.00 OD
Ø 2.76 ID

All dimensions and specifications are subject to change without any notice.

PROPRIETARY AND CONFIDENTIAL
THE INFORMATION CONTAINED IN THIS DRAWING IS THE SOLE PROPERTY OF *Energy Light, Inc.* ANY REPRODUCTION IN PART OR AS A WHOLE WITHOUT THE WRITTEN PERMISSION OF *Energy Light, Inc.* IS PROHIBITED.

		UNLESS OTHERWISE SPECIFIED:		NAME	DATE	TITLE:			
		DIMENSIONS ARE IN INCHES		DRAWN	MKA	10-19-20	Steel bullhorn with 2 Arms at 180°		
		TOLERANCES:		ENG APPR.					
		FRACTIONAL: ± 1/64		MFG APPR.					
		ANGULAR: ± 0.5°		Q.A.			SIZE	ITEM NO.	REV
		TWO PLACE DECIMAL ±0.01					B	10066	
		THREE PLACE DECIMAL ±0.005					SCALE: 1:6	WEIGHT: 14 Lbs	SHEET 1 OF 1
		INTERPRET GEOMETRIC TOLERANCING PER:		 Energy Light, Inc. 1881 Rose Road Lake Zurich, IL 60047					
		MATERIAL							
		STEEL							
NEXT ASSY	USED ON	FINISH							
APPLICATION		DO NOT SCALE DRAWING							

4

3

2

1