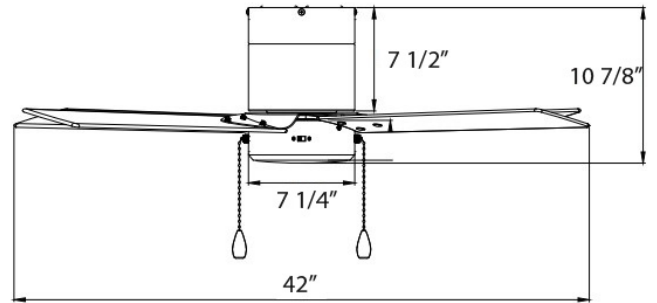


1021-ES

120V

Catalog #:		Type
Project:		Date
Prepared by:		

Sabio - 3-Blade, 42" Sweep Hugger, Energy Star, Integrated LED Light Kit Included



DESCRIPTION

The clean lines and modern design of the Sabio Energy Star Series add style to any contemporary space. The efficient integrated LED light kit provides ample illumination and energy savings over traditional sources.

DESIGN FEATURES

Motor

- 3-Speed | Reversible
- AC Motor | 153 x 9 mm motor | 3 capacitors
- RPM: High: 232 Low: 97
- High: CFM: 3214 | Watts: 43.57 | Efficiency: 73.8
- Low: CFM: 1248 | Watts: 7.94
- 12" Lead wire

Blades

- 3-Blade, 42" sweep
- Blade Construction: MDF¹
- 12° blade pitch

Light Kit

- Integrated LED light kit included
- 15.5W | 1240 lms (source) | 789 lms (delivered) | 3000K | 90 CRI | Dimmable Triac or ELV, 10-100%
- Shade: Glass
- Replacement glass: 1021G

Dimensions

10-7/8"	7-1/4"	7-1/2"
Height (lowest point)	Width (housing)	Height (top of blade)

Controls:

- Pull Chain Standard
- Optional remote control (sold separately): RC-10
- Optional wall control (sold separately): WC-4, WC-8, WC-13 and WC-16

Certifications

- UL Listed for dry location
- Energy Star Listed
- Fan Motor: Limited Lifetime Warranty
- LED Light Source: 5 Year Limited Warranty
- Non-Electrical: 1 Year Limited Warranty

ORDERING

Example: 1021BN-BN-ES

Model #	Housing and Blade Finish	Energy Star
1021		-ES
1021	BN-BN : Brushed Nickel / Brushed Nickel BN-WT : Brushed Nickel / Walnut OB-WT : Oil Rubbed Bronze / Walnut WW-WW : White / White	-ES : Energy Star



Fan Motor LED Light Non Electrical Source

TEL: 800.937.6925 | Fax: 800.207.9509 | www.rplighting.com

Specifications and dimensions subject to change without notice.

11/6/23 R1



RP LIGHTING • FANS

1021-ES - 3-Blade 42" Sweep Hugger, Light Kit Included