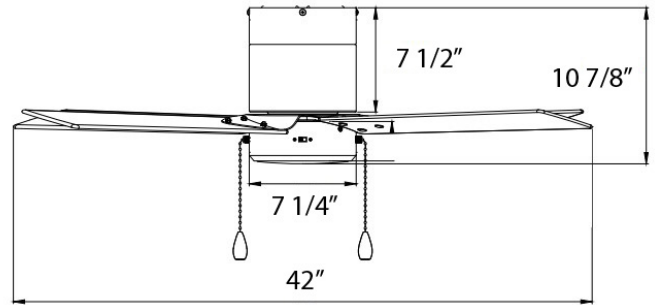


1023-ES

120V

Catalog #:		Type
Project:		Date
Prepared by:		

Metalis 4-Blade, 42" Sweep Hugger, Pull Chain



DESCRIPTION

The clean lines and modern design of The Metalis Series adds style to any contemporary space. The efficient integrated LED light kit provides ample illumination and energy savings over traditional sources.

DESIGN FEATURES

Motor

- 4-Speed | Reversible
- 153 x 9 mm motor | 3 capacitors
- RPM: High: 210 Low: 84
- High: CFM: 3002 | Watts: 43.83 | Efficiency: 70.1
- Low: CFM: 1072 | Watts: 7.88
- 12" Lead wire

Blades

- 4-Blade, 42" sweep
- MDF Blades¹
- 12° blade pitch

Light Kit

- Integrated light kit included
- 15.5W | 1240 lms (source) | 789 lms (delivered)
- 3000K | 80 CRI | Dimmable Triac or ELV, 10-100%
- Shade: Glass
- Replacement glass: 1021G

Dimensions

10-7/8"	7-1/4"	7-1/2"
Height (lowest point)	Width (housing)	Height (top of blade)

Controls:

- Pull Chain
- Optional Remote Control (sold separately) RC-6 and RC-8
- Optional Wall Control (sold separately) WC-4, WC-8, WC-13 and WC-16

Certifications

- UL Listed for dry location
- Energy Star Listed
- Fan Motor: Limited Lifetime Warranty
- LED Light Source: 5 Year Limited Warranty
- Non-Electrical: 1 Year Limited Warranty

ORDERING GUIDE

Example: 1022BN-BN-ES

Model #	Motor / Blade Finish	Energy Star
1023		-ES
1023	BN-BN : Brushed Nickel / Brushed Nickel BN-WT : Brushed Nickel / Walnut OB-WT : Oil Rubbed Bronze / Walnut WW-WW : White / White	-ES: Energy Star

¹To avoid fan blade warping, fan must be installed in climate controlled environment



LED Light Source Non-Electrical

