

10A4SSH125

10 Foot Square Hinged Aluminum Light Pole, 4 Inch Wide, 0.125 Inch Wall Thickness



Job: _____ Client Name: _____
 Job Site: _____ State: _____ Approvals: _____
 Notes: _____ Date: _____

Pole Top Options: A removable pole cap or open top are standard options.

Available tenon diameter options are: 2-3/8 in. or 3 in.

Both tenon options are 4 in. long.

Pole Shaft: 10 ft. height above ground, 4 in. square straight aluminum with 0.125 in. wall thickness. The pole shaft is constructed of seamless extruded tube of 6063 Series Aluminum Alloy per the requirements of ASTM B221.

Handhole: 2 in. X 4 in. size handhole with cover is located at 18 in. from the base. Ground lug is included.

Finish: Commercial grade, super durable powder coat finish.

Dark Bronze is standard color. Black, White, Gray colors are available with extended lead times and additional surcharge.

Anchor Bolts: A set of 4 galvanized steel anchor bolts is provided with each pole assembly. Each anchor bolt includes 1 Hex Nut, 1 Lock Washer and 1 Flat Washer.

Energy Light, Inc. recommends leveling shims instead of leveling nuts.

No grouting is required with leveling shims. Shims are available at a surcharge.

An actual size paper anchor bolt template is provided.

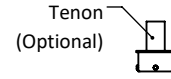
Bolt Circle Range: 7 1/2 in. - 9 in.

Hinged Base: This aluminum light pole has a unique hinge-base design which consists of 2 bases connected with a hinge. The bottom portion is mounted on a concrete foundation with anchor bolts. The top base is secured to the bottom base with the use of 3 Stainless Steel Screws (also provided). When these 3 screws are loosened, the pole which is welded to the top base can be lowered all the way to the ground allowing access to the equipment or light fixtures mounted on top of the pole without the need of ladders or lifts.

Other Options: The following options are available with extended lead times and surcharges: Vibration damper, custom tenon sizes, custom colors, electric/GFI outlets, custom pole heights, additional handhole and UL compliant handholes.

Warranty: 10 Years.

Foundation design: Foundation should be designed by an engineer familiar with local soil and wind conditions as well as local code where the pole(s) will be installed.



Removable Pole Cap



4" SQ. Aluminum Shaft
0.125" Wall Thickness

10'

Handhole Cover with Screws

3 1/2"

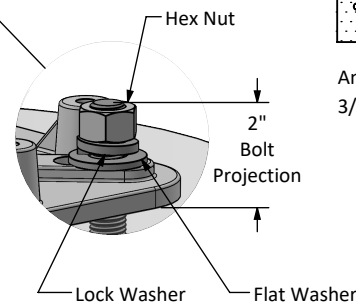
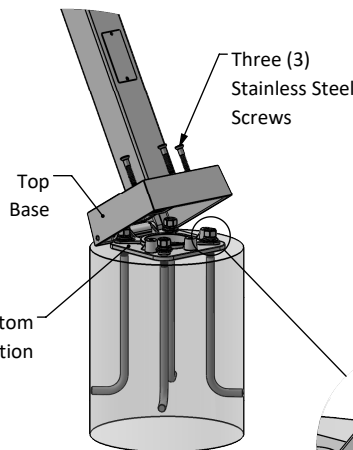
10 1/4"

18"

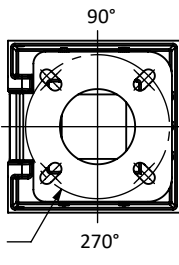
10 3/4"

Anchor Bolt 3/4"x17"x3"

Maximum EPA with 1.3 Gust Factor (ft ²)				Pole Weight (lbs)
90 mph	100 mph	120 mph	130 mph	
15.2	11.9	8.8	7.2	36



Lowering Direction



Disclaimer: All dimensions and specifications are subject to change without any notice. Energy Light, Inc. is not responsible for any claims arising from improper loading (what is attached to the light pole), improper use, incorrect foundation design and/or installation.