

# 12X12Q DuraLED 12"x12" Medium Vandal Resistant Ceiling Canopy



<b>Project Information</b>	
Project Name: _____	Fixture Type: _____
Complete Catalog #: _____	Date: _____
Comments: _____	

The DuraGuard 12X12Q Medium Vandal Resistant Ceiling Canopy luminaire is available for surface or pendant mounting configurations with an optical distribution designed specifically to replace HID lighting systems up to 175w MH or HPS. Typical lighting applications include retail centers, industrial parks, schools and universities, public transit and airports, office buildings and medical facilities. Mounting heights of 12 to 20 feet can be used based on light level and uniformity requirements.

**SPECIFICATIONS AND FEATURES:**

**HOUSING:**

Die Cast Aluminum Housing, 1/2" Coin Plugs with O-rings for Conduit & Photocell on Two Sides & Back, Nickel-Plated Stainless Steel Hardware.

**LISTING & RATINGS:**

CSA: Listed for Wet Locations, ANSI/UL 1598, 8750. (Damp Locations When Used with QM.) IP65 Sealed LED Compartment.

**FINISH:**

Textured Architectural Powdercoat Finish Over a Chromate Conversion Coating. Custom Colors Available Upon Request.

**LENS:**

Standard Clear Polycarbonate Prismatic or SoftLED LumaLens Opal Polycarbonate Vandal-Resistant Lens

**MOUNTING OPTIONS:**

Mount Directly Over a 4" Recessed Outlet Box, or Use 1/2" Surface Conduit or Quick-Mount Bracket.

**DURALED LED:**

Aluminum Boards

**WATTAGE:**

Array: 45.4w, System: 52.6w (175w HID Equivalent)

**DRIVER:**

Electronic Driver, 120-277V, 50/60Hz or 347-480V, 50/60Hz; Less Than 20% THD and PF>0.90. Standard Internal Surge Protection 6kV. 0-10V Dimming Standard for a Dimming Range of 100% to 10%; Dimming Source Current is 150 Microamps.

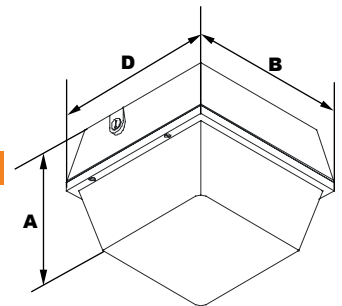
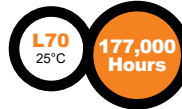
**CONTROLS:**

Fixtures Ordered with Factory-Installed Photocell or Motion Sensor Controls are Internally Wired for Switching and/or 1-10V Dimming Within the Housing. Remote Direct Wired Interface of 1-10V Dimming is Not Implied and May Not Be Available, Please Consult Factory. Fixtures are Tested with DuraGuard Controls and May Not Function Properly With Controls Supplied By Others. Fixtures are NOT Designed for Use with Line Voltage Dimmers.

**WARRANTY:**

5-Year Warranty for -40°C to +40°C Environment.

See Page 2 for Projected Lumen Maintenance Table.



Dimensions	
<b>Width (D)</b>	12 3/4" (314mm)
<b>Length (B)</b>	12 3/4" (314mm)
<b>Height (A)</b>	8 3/4" (219mm)

**DuraLED TECHNOLOGY**

Complete Units  
Ordering Information  
Example: 12X12QF1X45U5KSZSP

## 12X12Q DuraLED 12"x 12" Medium Vandal Resistant Ceiling Canopy

12X12Q	F	1X45						
Model	Optics	Wattage	Driver	CCT	Lens	Color	Options	
<b>12X12Q</b> = DuraLED 12"x12" Medium Vandal Resistant Ceiling Canopy	F=Type V	<b>1X45</b> =45w	<b>U</b> =120-277V <b>H</b> =347-480V	<b>4K</b> =4000K <b>5K</b> =5000K		<b>Z</b> =Bronze <b>W</b> =White <b>C</b> =Custom (Consult Factory)		
<p><b>S</b>=Standard Clear Polycarbonate Prismatic Lens <b>L</b>=SoftLED LumaLens Opal Polycarbonate Lens</p>								

- SF**=Single Fuse
- DF**=Double Fuse
- SP**=Surge Protection
- PC1**=Photocell, 120VAC
- PC2**=Photocell, 250-305VAC
- QM**=Quick Mount/Pendant Mount
- S2**=Microwave Sensor with Dimming for Mounting Heights of 8 to 40'
- BU**=Battery Backup, 90 Minutes

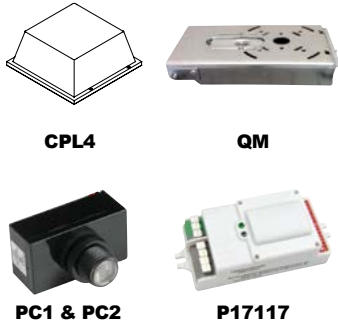


DesignLights Consortium™  
Qualified Luminaires:  
12X12QF1X45U5KS\*



Specifications subject to change without notice.

# 12X12Q DuraLED 12"x12" Medium Vandal Resistant Ceiling Canopy



Replacement Parts (Order Separately, Field Installed)	
CPL4	Clear Prismatic Polycarbonate Lens with Four (4) Screw Holes
VN40PW	SoftLED LumaLens Opal Polycarbonate Lens
QM	Hinged Quick-Mount Bracket, Stamped Steel, Mount Over Recessed Electrical Box, or Use 3/4" NPS Downrod for Pendant Mounting. CSA Listed for Damp Location Mounting.
PC1	120VAC, Photocell
PC2	250-305VAC, Photocell
P17117	Internal Microwave Sensor with Dimming for Mounting Heights of 8 to 40'. 120-277VAC, 50/60Hz

For Replacement Battery Backup, see the DuraGuard LED Battery Backup Specification Sheet.

## PHOTOMETRIC PERFORMANCE

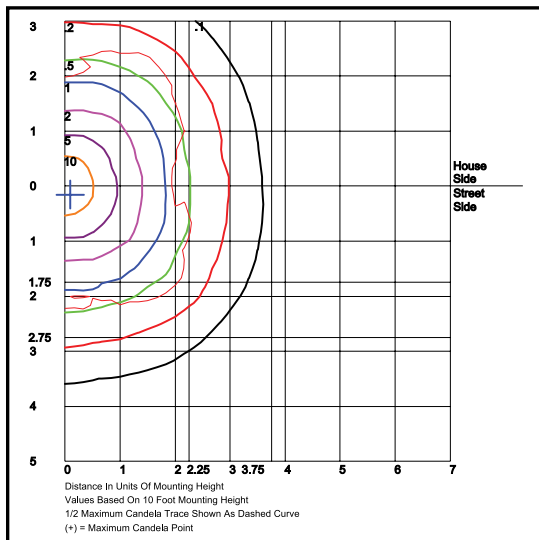
LED Board Watts	Drive Current (mA)	Input Watts	Optics	5000 CCT 80 CRI					4000 CCT 80 CRI				
				Lumens	LPW	B	U	G	Lumens	LPW	B	U	G
DuraLED 45w	117	53	Type V	6,267	118	2	3	2	6,016	114	2	3	2

## PROJECTED LUMEN MAINTENANCE

Data shown for 5000 CCT			Compare to MH			
TM-21-11	Input Watts	Initial	25,000 Hrs	50,000 Hrs	100,000 Hrs	Calculated L70@ 25°C
<b>L70 Lumen Maintenance @ 25°C / 77°F</b>	53	1.00	0.96	0.92	0.83	177,000
TM-21-11	Input Watts	Initial	25,000 Hrs	50,000 Hrs	100,000 Hrs	Calculated L70@ 50°C
<b>L70 Lumen Maintenance @ 50°C / 122°F</b>	53	1.00	0.93	0.85	0.71	102,000
TM-21-11	Input Watts	Initial	25,000 Hrs	50,000 Hrs	100,000 Hrs	Calculated L80@ 40°C
<b>L80 Lumen Maintenance @ 40°C / 104°F</b>	53	1.00	0.94	0.87	0.74	78,000

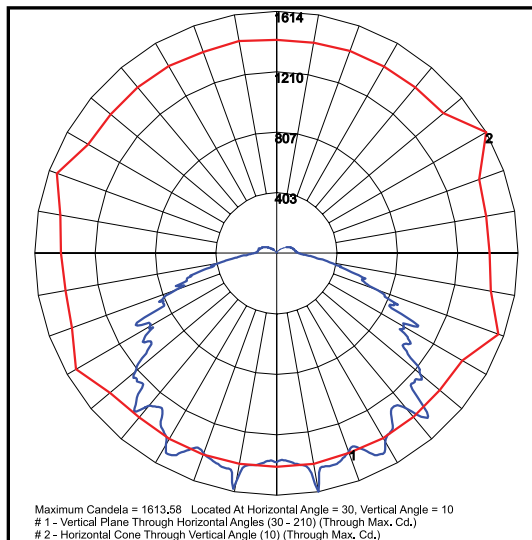
- NOTES:**  
 1. Projected per IESNA TM-21-11. Data references the extrapolated performance projections for the 117mA base model in a 25°C ambient, based on 10,000 hours of LED testing per IESNA LM-80-08.  
 2. Compare to MH box indicates suggested Light Loss Factor (LLF) to be used when comparing to Metal Halide (MH) systems.

## PHOTOMETRIC DATA



**12X12QF1X45U5KS**  
**Type V**

Grid in MH  
 MH=10 Feet



**12X12QF1X45U5KS**  
**Type V**