



JOB NAME:

CAT#:

TYPE:

APPLICATIONS

This stylish ceiling/wall mounted luminaire comes in a standard white finish with a variety of LED combinations and sizes enhanced by linear sided acrylic diffuser. It is designed for baths, kitchens, rec rooms, corridors, aisles, stairwells, over or beside mirrors, over bulletin boards, in vanities, in displays.

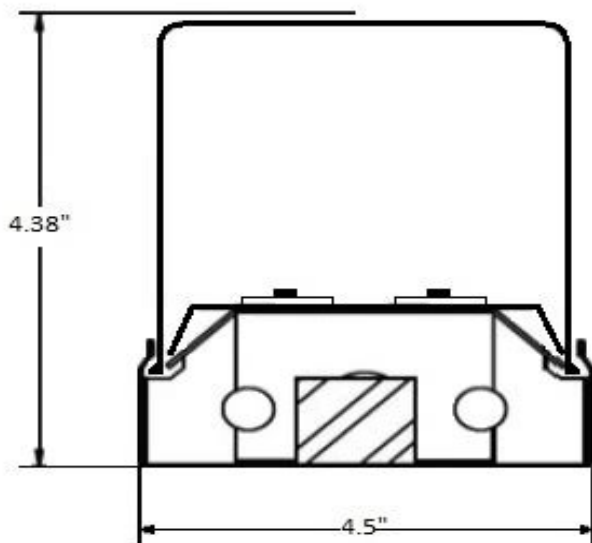
All metal parts are die formed from heavy gauge cold roll steel with overlapping end caps. The diffuser is a linear sided prismatic lens of extruded acrylic for controlled light.



FEATURES & BENEFITS

- Back plate provided with adequate knockouts and mounting holes for either wall or ceiling installation
- Clear acrylic prismatic lens with linear ribbed sides standard
- White with a variety of LED combinations
- Overlapping end caps for uniformity and dimensional stability
- Min CRI 80
- cETL_{us} Listed for damp locations

DIMENSIONS



Dimensions and specifications subject to change without notice.





JOB NAME:

CAT#:

TYPE:

ORDERING

EXAMPLE: 155 24 LED 24 DMV 40

155		LED				
1. SERIES	2. SIZE	3. GEAR	4. WATTAGE/LUMENS	5. DRIVER	6. HOUSING	7. COLOR TEMP
155	24 24" 48 48"	LED	<p><u>2 Ft.</u></p> <p>24 24 Watts 2250 Lumens 28 36 Watts 2250 Lumens 35 35 Watts 3200 Lumens</p> <p><u>4 Ft.</u></p> <p>30 30 Watts 4065 Lumens 48 48 Watts 5985 Lumens 57 57 Watts 6855 Lumens 72 72 Watts 7000 Lumens</p>	<p>DMV 120-277V Multivolt 0-10V Dimmable</p> <p>SDMV Step dimming Multivolt</p> <p>DHV 347-480VAC 0-10V Dimming</p> <p>D347V 347VAC 0-10V Dimming</p> <p>D120 Triac Dimming 120VAC</p> <p>D277 Triac Dimming 277VAC</p>	<p>WH White BK Black CH Chrome</p>	<p>30 3000K 35 3500K 40 4000K 50 5000K</p>

8. EMERGENCY (O)¹ EM Emergency Battery Backup	9. WHIP (O)¹ WP 6' whip 3 wire	10. LENS (O)¹ OA Opal acrylic lens
---------------------------------------------------------	------------------------------------------	----------------------------------------------

*See cord and whip ordering chart below

*Cord & Whip Ordering Chart (Add to End of Fixture Part Number)						
Part No.	# of Wires	Length	End Fitting	Finish	Voltage	Amps (TL Only)
WP - Whip CS - Cordset	(Blank) 3 Wire 4 - 4 Wire 5 - 5 Wire 6 - 6 Wire	(Blank) 6 feet 8 - 8 feet 10 - 10 feet 12 - 12 feet 15 - 15 feet	(Blank) No Plug P* - Standard Plug TL* - Twist Lock	BK - Black WH - White	(Blank) 120-277V 120 - 120V 277 - 277V 347 - 347V 480 - 480V	15 - 15 Amps 20 - 20 Amps

DLC INFORMATION



DLC Listed (4 ft DMV only)	
155-48LED30DMVxx	XX=30, 35,40, 50
155-48LED48DMVxx	XX=30, 35,40, 50
155-48LED57DMVxx	XX=30, 35,40, 50

Notes:
¹(O) is optional

Dimensions and specifications subject to change without notice.

