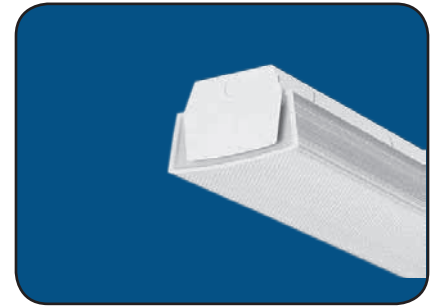


201 Series

Surface Mount Fixture



FEATURES & SPECIFICATIONS

INTENDED USE

With 1 or 2 lamp in cross-section, the ability to add a reflector and a clear acrylic #8 pattern lens, this wrap around is suitable for a wide variety of applications. A full wireway allows exact lamp spacing and more uniform light distribution.

SIZE W x L x H in inches (mm)

5.625W x 48L x 3.187Dp

LAMP

1 or 2 lamp positions

MOUNTING

Surface or Suspended, Wall Mount

ELECTRICAL

Housing is 22 gauge baked white enamel cold rolled steel body and ends. 20 gauge can be supplied. 20 gauge socket bars are standard. Wiring knockouts are provided on back and end of housing. Ballast cover or reflector snaps into place, no tools required for ballast access. Lens is held with left and shift method. Premium, full specular reflectors are available as an option to increase efficiency or modify lighting distribution.

TYPICAL OPTIONS & ACCESSORIES

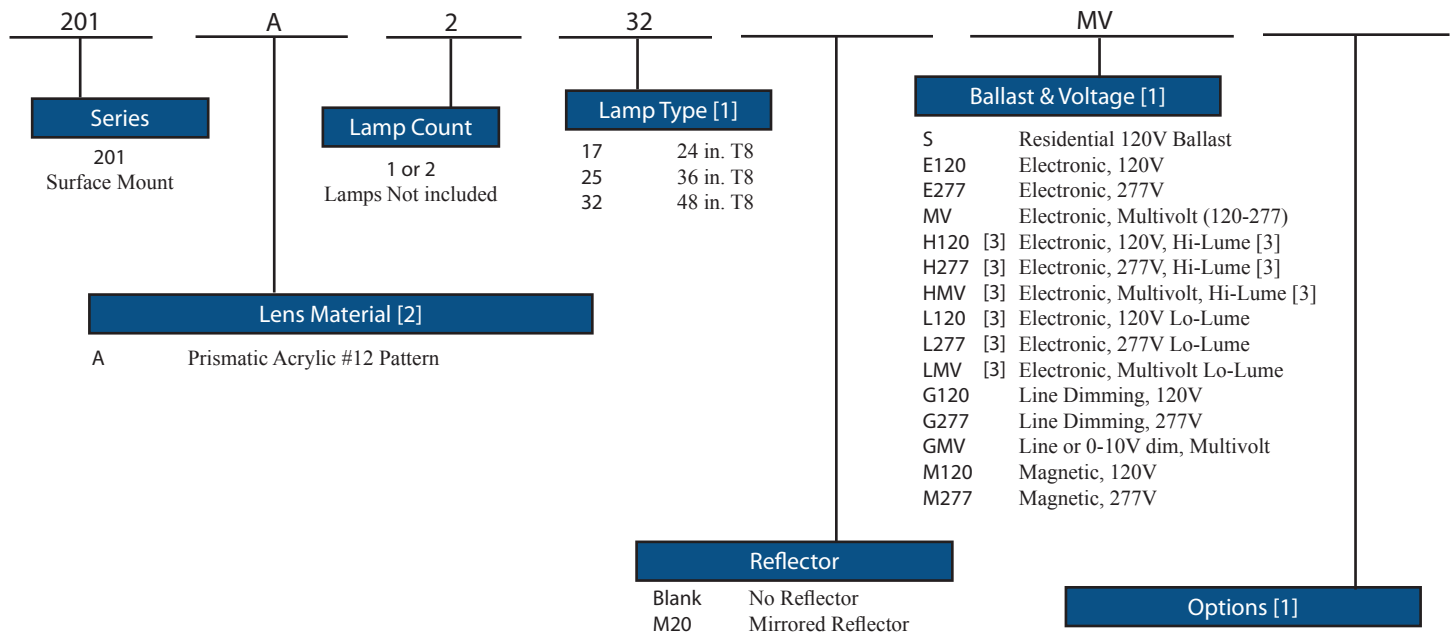
Emergency ballasts, whips, and reflectors.

LISTING

Fixture & Ballast: UL Listed Ballast: Thermally protected, class P, HPF, Non PCB

ORDERING INFORMATION

Example: 201A232MV



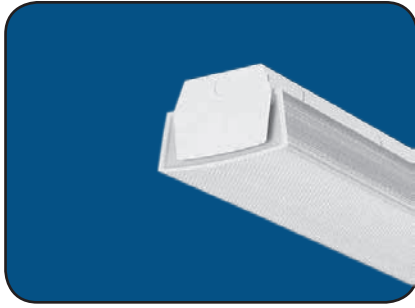
Notes

- [1] See end of T02SURF for many additional lamps, ballasts, finishes, and options.
 [2] Custom louvers available in any cell configuration. Consult factory for additional information.
 [3] HiLume and LoLume ballasts available for T8 lamps only.
 [4] Consult factory for custom finishes.

Catalog Number:
Notes:

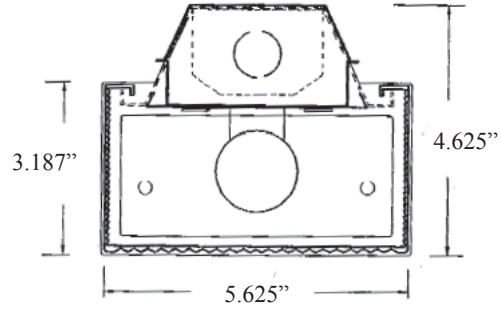
201 Series

Surface Mount Fixture



DIMENSIONS

All dimensions are inches. Specifications subject to change without notice.



Catalog Number:
Notes: