

## FEATURES & SPECIFICATIONS

### INTENDED USE

The 215 is a specification grade wall mount for “over the bed” applications, and may also be used in bath, stairwells, and office applications. This luminaire carries up to eight LED boards. With optional dividers, front baffles, and dual ballasts the up and down light are individually controlled. The rectangular shape provides a clean, crisp profile.

### SIZE H x W in inches (mm)

4.50H x 5.62W (115 x 145)

Available in 24, 36, and 48in (610, 915, 1220) lengths

### MOUNTING

Direct wall mount.

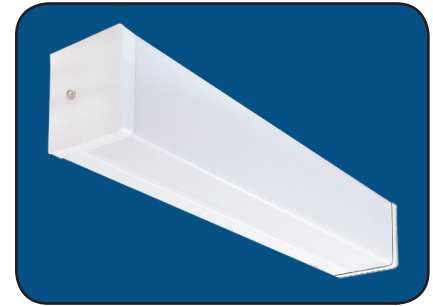
### MATERIALS & FEATURES

Housing is die-formed and embossed code 22 gage steel. Standard finish is high reflectance baked white enamel; custom finishes are available as an option. Wiring knockouts are provided on back of housing. The clear, ribbed lens is fully captured by the end plate. End cap held in place with acorn nut.

- Optional internal divider separates up and down light. Optional front baffle restricts light to up and down only (no front light). Add dual drivers for separate control of up and down light.
- Options include pull chain switches, and convenience outlets.

# 215 Series 2ft

Wall Mount, Up & Down Light,  
Rectangular profile



### TYPICAL OPTIONS AND ACCESSORIES

Custom finishes, internal divider, front baffle, pull chains, convenience outlets. CONTACT FACTORY for custom options. See options page at the end of the T02WallF section, or contact factory for more details.

## Ordering Information

### STANDARD

Example: 215A24L1U1DE24W2400LDFDMV40K

215	A	24L	1U1D	E24W2400L	DF	DMV	40K	
<b>Series</b>	<b>Lens Material</b>	<b>Size</b>	<b>Wattage and Lumen</b>		<b>Driver</b>		<b>Color Temperature</b>	
215 wall mount rectangular profile	A Acrylic	24L 24"	<b>Led module distribution</b>		DMV 0-10V Dimming * Field installed-Dimming Wire		30K 3000K	
			E24W2400L 24 System Watts, 2400 Delivered Lumens		DMVFID 0-10V Dimming * Factory installed-Dimming Wire		35K 3500K	
			E36W3600L 36 System Watts, 3600 Delivered Lumens		40K 4000K		50K 5000K	
			E48W4800L 48 System Watts, 4800 Delivered Lumens				<b>Baffle</b>	
			1U1D one row led uplight, one row led downlight		Blank Divider		SW2 Pull chain, 2 way switching (Use with single ballasts)	
			1U2D one row led uplight, two rows led downlight		DF Front Baffle		GCO Grounded convenience outlet (North American 3 Prong)	
			2U2D two rows led uplight, two rows led downlight					
			2U1D two rows led uplight, one row led downlight					

PART NUMBER	LEDs Module Distribution
215A24L1U1DS24W2400LDFDMV40K	One Row LEDs Uplight, One Row LEDs Downlight
215A24L1U2DS36W3600LDFDMV40K	One Row LEDs Uplight, Two Rows LEDs Downlight
215A24L2U2DS48W4800LDFDMV40K	Two Row LEDs Uplight, Two Rows LEDs Downlight
215A24L2U1DS36W3600LDFDMV40K	Two Row LEDs Uplight, One Row LEDs Downlight
215A48L1U1DS48W4800LDFDMV40K	One Row LEDs Uplight, One Row LEDs Downlight
215A48L1U2DS73W7200LDFDMV40K	One Row LEDs Uplight, Two Rows LEDs Downlight
215A48L2U2DS97W9600LDFDMV40K	Two Rows LEDs Uplight, Two Rows LEDs Downlight
215A48L2U1DS73W7200LDFDMV40K	Two Row LEDs Uplight, One Row LEDs Downlight

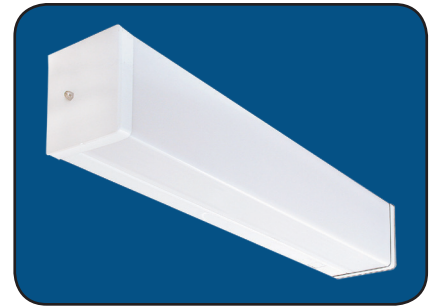


\* Consult for more options

Catalog Number:
Notes:

# 215 Series 4ft

Wall Mount, Up & Down Light,  
Rectangular profile



## Ordering Information STANDARD

Example: 215A48L1U1DE48W4800LDFDMV40K

215	A	48L	1U1D	E48W4800L	DF	DMV	40K	
<b>Series</b>	<b>Lens Material</b>	<b>Size</b>			<b>Driver</b>			
215 wall mount rectangular profile	A Acrylic	48L 48"			DMV 0-10V Dimming * Field installed-Dimming Wire			
			<b>Wattage and Lumen</b>		DMVFID 0-10V Dimming * Factory installed-Dimming Wire		<b>Color Temperature</b>	
			E48W4800L 48 System Watts, 4800 Delivered Lumens		Blank Divider		30K 3000K	
			E73W7200L 73 System Watts, 7200 Delivered Lumens		DF Front Baffle		35K 3500K	
			E97W9600L 97 System Watts, 9600 Delivered Lumens		<b>Options</b>		40K 4000K	
			<b>Led module distribution</b>		SW2 Pull chain, 2 way switching (Use with single ballasts)		50K 5000K	
			1U1D one row led uplight, one row led downlight		GCO Grounded convenience outlet (North American 3 Prong)			
			1U2D one row led uplight, two rows led downlight					
			2U2U two rows led uplight, two rows led downlight					
			2U1D two rows led uplight, one row led downlight					

PART NUMBER	LEDs Module Distribution
215A24L1U1DS24W2400LDFDMV40K	One Row LEDs Uplight, One Row LEDs Downlight
215A24L1U2DS36W3600LDFDMV40K	One Row LEDs Uplight, Two Rows LEDs Downlight
215A24L2U2DS48W4800LDFDMV40K	Two Row LEDs Uplight, Two Rows LEDs Downlight
215A24L2U1DS36W3600LDFDMV40K	Two Row LEDs Uplight, One Row LEDs Downlight
215A48L1U1DS48W4800LDFDMV40K	One Row LEDs Uplight, One Row LEDs Downlight
215A48L1U2DS73W7200LDFDMV40K	One Row LEDs Uplight, Two Rows LEDs Downlight
215A48L2U2DS97W9600LDFDMV40K	Two Rows LEDs Uplight, Two Rows LEDs Downlight
215A48L2U1DS73W7200LDFDMV40K	Two Row LEDs Uplight, One Row LEDs Downlight

\* Consult for more options

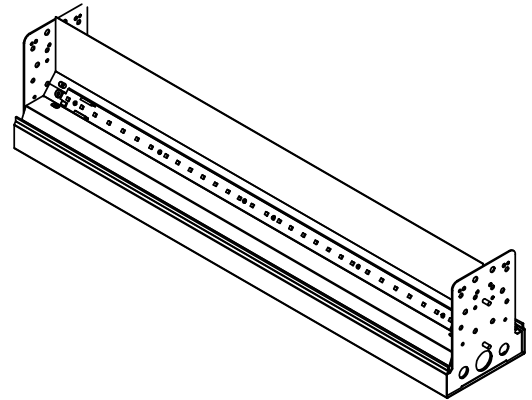
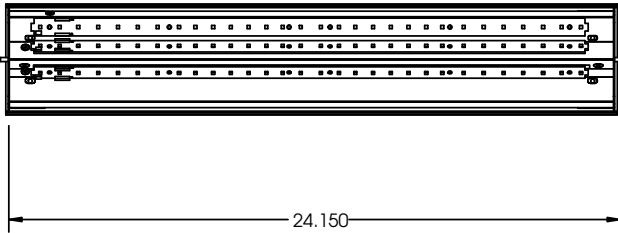


Catalog Number:
Notes:



**DIMENSIONS**

All dimensions are inches. Specifications subject to change without notice.



**End View**

