



JOB NAME:

CAT#:

TYPE:

APPLICATIONS

This low profile, strip fixture is sleek and contemporary with an architecturally forward design. It is available in multiple lengths and has the ability to be joined in continuous runs for the flexibility to work well in any environment. This fixture is a perfect fit for: schools, offices, conference rooms, designer studios, retail, hospitals, or any open concept area.

Die-formed and welded 22 gauge cold rolled steel body with knockouts on ends allowing continuous row mounting. A 1/2" regressed flange at the bottom ensures uniformity and rigidity. Design housing with formed LED gear tray allows for uniform light and great distribution, putting light right where you need it.

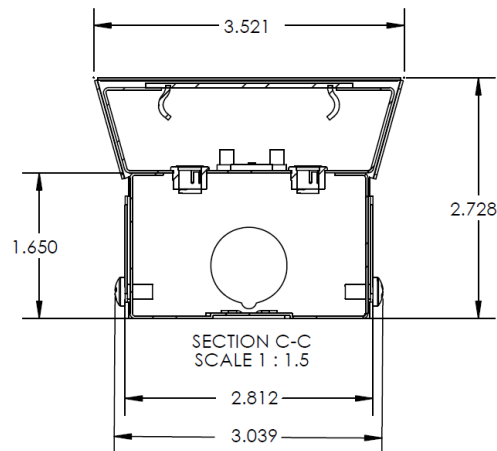
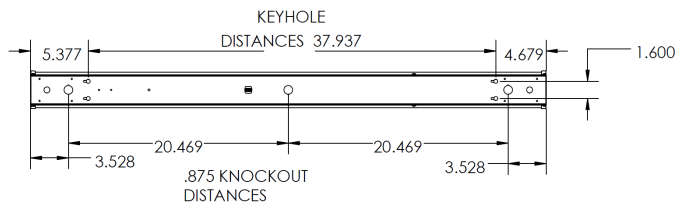


FEATURES & BENEFITS

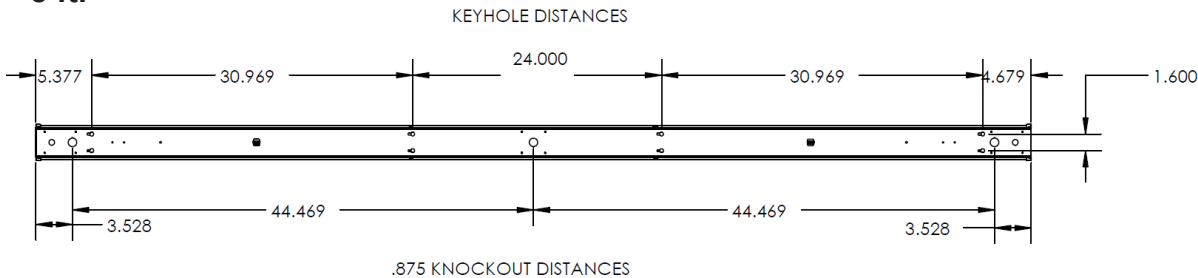
- $L_{70} > 50,000$ hrs.
- Min CRI 80
- Specially formulated frosted acrylic lens that provides high light transmission and excellent glare control
- Multiple lengths and lumen packages available
- $cETL_{US}$ listed for damp locations
- 5 year warranty

DIMENSIONS

4 ft.



8 ft.



Dimensions and specifications subject to change without notice.





JOB NAME:

CAT#:

TYPE:

ORDERING

EXAMPLE: 42T 48 LED 30 DMV WH FR 30 EM P11

| 42T | | LED | | | | | | | | | | |
|-----------|---------|-----------|----------------------|------------------------|---|--|-------------------|--|--------------|-------------------------|--|--|
| 1. SERIES | 2. SIZE | 3. GEAR | 4. WATTAGE/LUMENS | 5. DRIVER ¹ | 6. FINISH | 7. LENS | 8. COLOR TEMP | | | | | |
| 42T | 48 48" | LED | 4 ft. | | DMV 120-277V Multivolt 0-10V Dimmable | WH White BK Black SI Silver | FR Frosted | 30 | 3000K | | | |
| | 96 96" | | 38 | 38 Watts 3990 Lumens | | | | 35 | 3500K | | | |
| | | | 45 | 45 Watts 4700 Lumens | | | | 40 | 4000K | | | |
| | | | 8 ft. | | | | | SDMV Step Dimming 120-277VAC 100%-40% | 50 | 5000K | | |
| | | | 60 | 60 Watts 6300 Lumens | | | | | D347V | 347VAC 0-10V Dimming | | |
| | | | 75 | 75 Watts 7900 Lumens | | | | | D120 | Triac Dimming 120VAC | | |
| | | 90 | 90 Watts 9450 Lumens | | D277 | Triac Dimming 277VAC | | | | | | |

| 9. EMERGENCY (O) ² | 10. PLUG IN OPTIONS (O) ² |
|--|---|
| EM 10W Emergency Battery Backup | PI1 3 wire harness, including white, black, and green |
| | PI2 4 wire harness, including white, black, green, and blue for emergency battery backup |
| | PI3D 5 wire harness, including white, black, green, violet, and gray |

¹See chart below for whip & cord ordering options

| *Cord & Whip Ordering Chart (Add to End of Fixture Part Number) | | | | | | |
|---|--|--|---|--------------------------|--|------------------------------|
| Part No. | # of Wires | Length | End Fitting | Finish | Voltage | Amps (TL Only) |
| WP - Whip CS - Cordset | (Blank) 3 Wire 4 - 4 Wire 5 - 5 Wire 6 - 6 Wire | (Blank) 6 feet 8 - 8 feet 10 - 10 feet 12 - 12 feet 15 - 15 feet | (Blank) No Plug P* - Standard Plug TL* - Twist Lock | BK - Black WH - White | (Blank) 120-277V 120 - 120V 277 - 277V 347 - 347V | 15 - 15 Amps 20 - 20 Amps |

Notes:
¹Consult for Triac dimming
²(O) is optional

Dimensions and specifications subject to change without notice.

