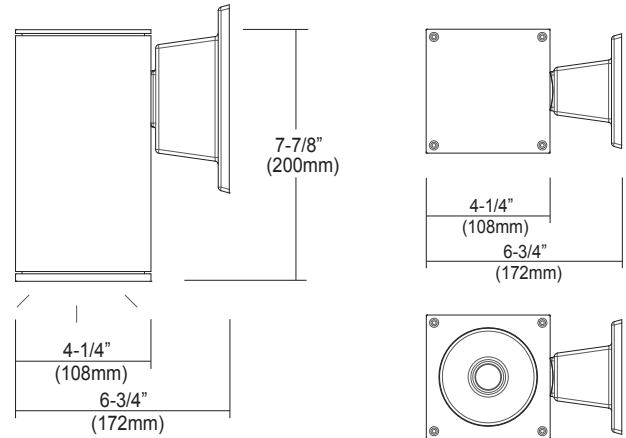
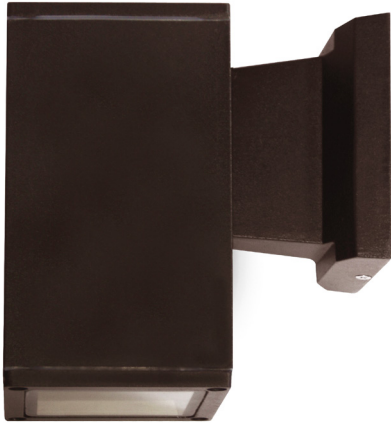


4427
120V

Catalog #:		Type
Project:		Date
Prepared by:		

4" LED Architectural Square Cylinder Downlight



DESCRIPTION

The Outdoor LED Cylinder Family features wet location rated wall mount style cylinders with down light and up & down light options. Choose from energy efficient 13W, 17W, or 27W AC modules, with finishes available in black, brushed nickel, or oil-rubbed bronze. Features Triac dimming down to 5%, using most standard dimmers. Utilizes AC circuit on board technology for cooler operating temperature and extended lifetime.

DESIGN FEATURES

Construction

- Aluminum die-cast with powder coat finish

Electrical

- 120V Direct AC operation with DOB
- Triac dimming down to 5%
- Various wattages of modules available
- Cooler operating temperature without driver
- Operating temperature: -31°F (-35°C) to 122°F (50°C)
- Stable driving current prevents inrush damage to circuit switches and modules
- Available in 80CRI, 3000K & 4000K

Installation

- Easy surface mounting for simple installation using anchors and screws
- J-box mountable

Lens

- Clear acrylic lens protects LEDs while allowing for optimum lumen output
- 37° beam angle

Finish

- Black, brushed aluminum or oil-rubbed bronze

Certifications

- cCSAus for wet location
- 5 year limited warranty
- Wet location rated



TEL: 800.937.6925 | Fax: 800.207.9509 | www.rplighting.com

Specifications and dimensions subject to change without notice.

4427

120V

Specification & Ordering

Model #	Dimensions (H x W x D)	Watt/Lumens	Color Temp
4427	7-7/8" x 4-1/4" x 6-3/4"	13W 845lm	3K 3000K
		17W 1105lm	4K 4000K
		27W 1755lm	

ORDERING

Example: 4427BK-13-3K

Model #	Finish	Watts	CCT
4427			
4427	BK : Black BA : Brushed Aluminum OB : Oil-rubbed Bronze	-13 : 13W -17 : 17W -27 : 27W	-3K : 3000 K -4K : 4000 K