

4503-30

120V

Catalog #:		Type
Project:		Date
Prepared by:		

8" Wall Sconce



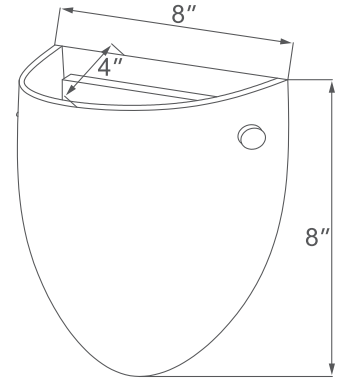
Brushed Nickel (BN)



White (WH)



Oil Rubbed Bronze (OB)



4503-30 - 8" Wall Sconce

DESCRIPTION

This clean and contemporary 8" LED wall sconce enhances any decor with its elegant profile and multiple accent finish choices. The Energy Star listing provides confidence in its energy efficient design.

DESIGN FEATURES

Construction

- Durable steel mounting frame
- Frosted white glass shade

Electrical

- 120V-60Hz
- Dimmable TRIAC or ELV, 10-100%
- 50,000 hour projected life
- 9W | 630 lms (delivered)
- 3000K | 80 CRI

Dimension

- 8" H x 8" W x 4" D

Certifications

- Energy Star Listed
- cETLus listed for damp location
- LED Lamp: 5 Year Limited Warranty
- Other Components: 1 Year Limited Warranty

ORDERING GUIDE

Example: 4503-30-BN

Model	Finish
4503-30	
4503-30	-BN : Brushed Nickel
	-OB : Oil Rubbed Bronze
	-WW : White

TEL: 800.937.6925 | Fax: 800.207.9509 | www.rplighting.com

Specifications and dimensions subject to change without notice.



Intertek LED Lamp Other Components

8/18/21 R1

LIGHTING · FANS