



SPS and LPS Emergency Power Systems 4C Option

Four Circuit, Local Switching Device Override Option

Provides Full Power Output To Connected Loads During Emergency Mode Operation Regardless of Local Control Switch Position Or Operating Status

Features

- Provides capacity for four override control circuits
- Provides full power emergency output to connected loads regardless of local control switch position or operating status
- Works with most standard local control devices including wall switches, dimmers, timers, occupancy sensors and ambient light sensors.
- Ideal for use with incandescent, fluorescent or LED lighting fixtures
- Eliminates the need for bypass devices or separate inverters for each switched load providing cost efficiency
- All wiring is done within the SPS or LPS inverter housing, no need for additional j-boxes
- Allows normally-on, normally-off, combination and switched wiring of connected loads
- System may be remotely mounted up to 1,000 feet
- Models available from 55 to 600 watt capacity

SPS Inverters



LPS Inverters



All SPS and LPS Series inverters offer:

- Universal 120/277VAC sinusoidal output
- 90 minute operation
- UL Listing

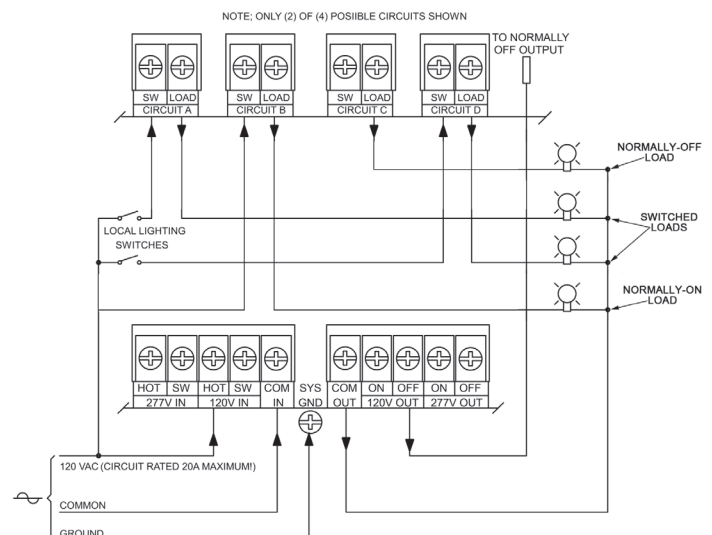
4C Option Operation

The inverter power system's 4C option allows lighting fixtures or other load types on circuits controlled by local switching devices to be easily connected to and powered by the SPS or LPS system during utility power outages. The 4C option provides four local switching device override circuits which, under emergency mode operating conditions, automatically disconnect the load side of the local control device(s) and connect the selected loads to the inverter output assuring normal operation of connected loads regardless of local control device switch position operating status.

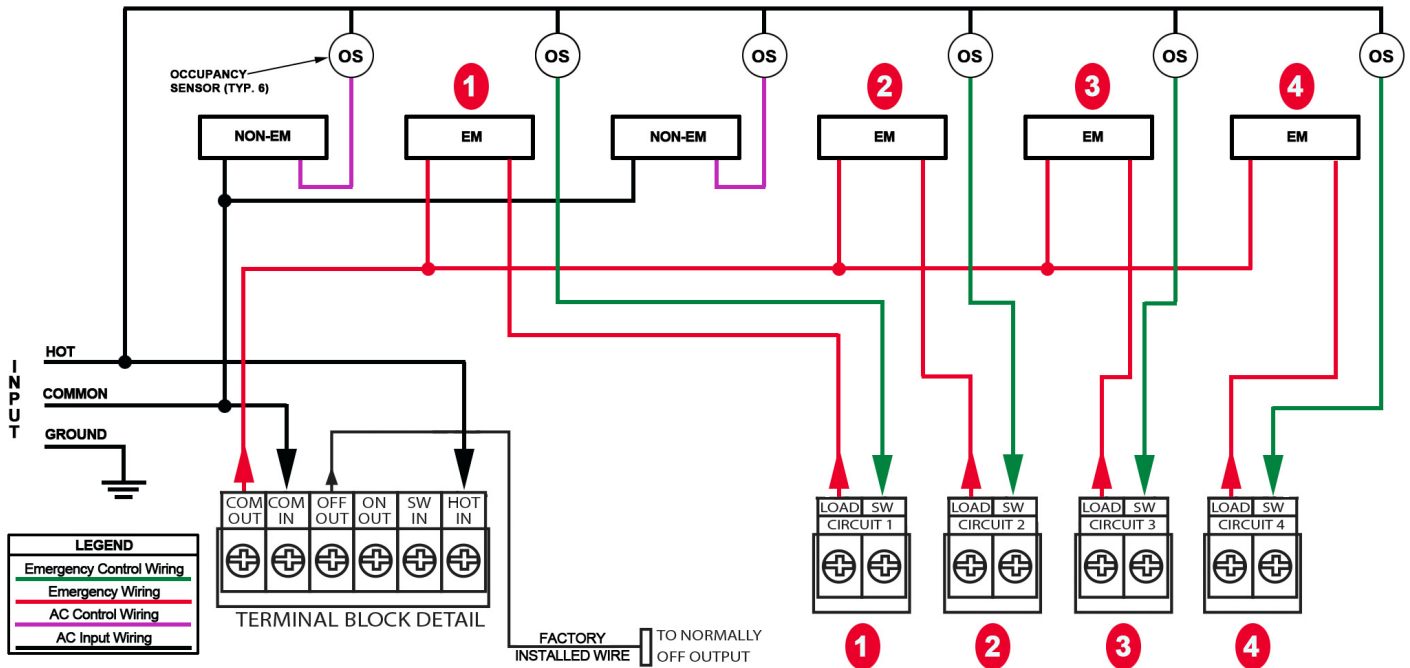
4C Option Connectivity

Any or all of the 4C option override circuits may be used to power lighting fixtures or other loads, up to the maximum output capacity of the system. The outstanding features of the SPS and LPS systems provide additional connectivity and flexibility features to the 4C option. The system's universal output allows for the powering of 120VAC and/or 277VAC loads and because the system's output is a clean, sinusoidal waveform, load compatibility issues are never a problem. Additionally, provisions are provided so that emergency loads can be configured for normally-on, normally-off, combination along with switched operation.

4C Option Wiring Diagram

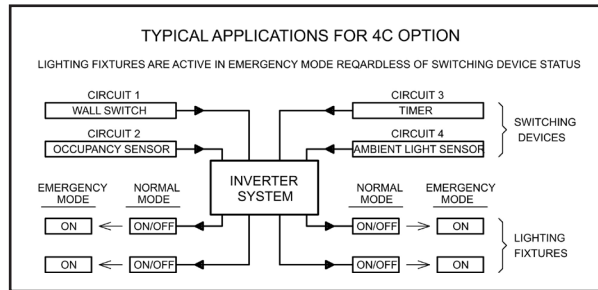
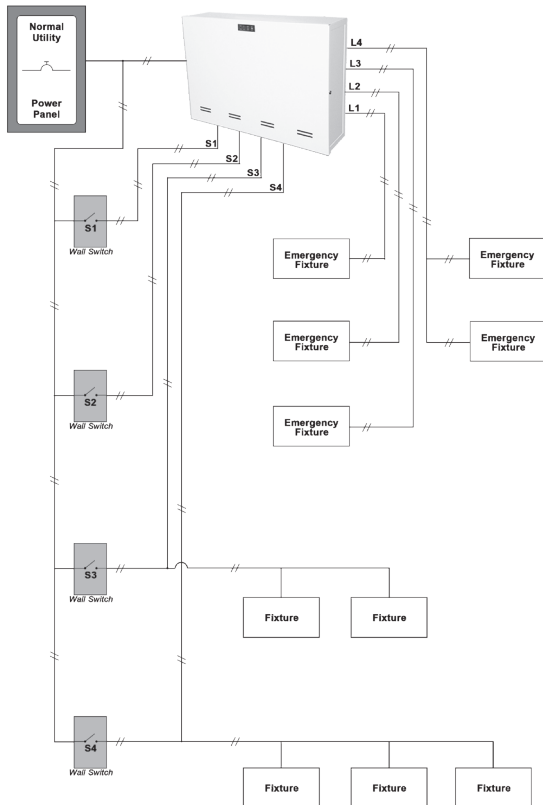


4C Option Line Voltage Switching



4C Option Schematic

APPLICATION DIAGRAM USING 4C OPTION



TYPICAL APPLICATIONS FOR 4C OPTION

