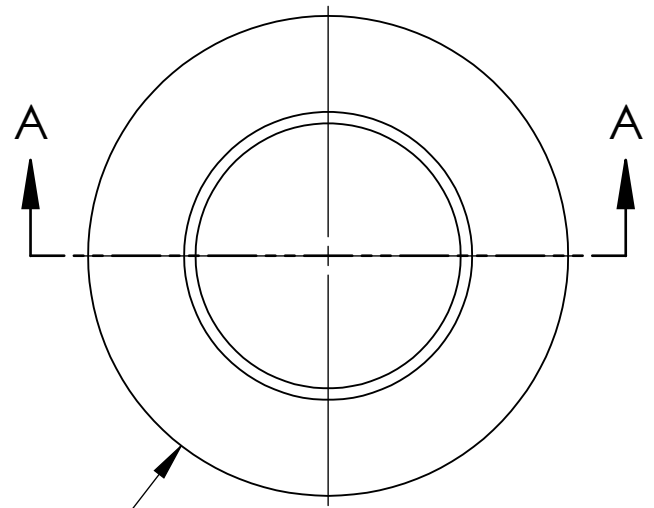


4

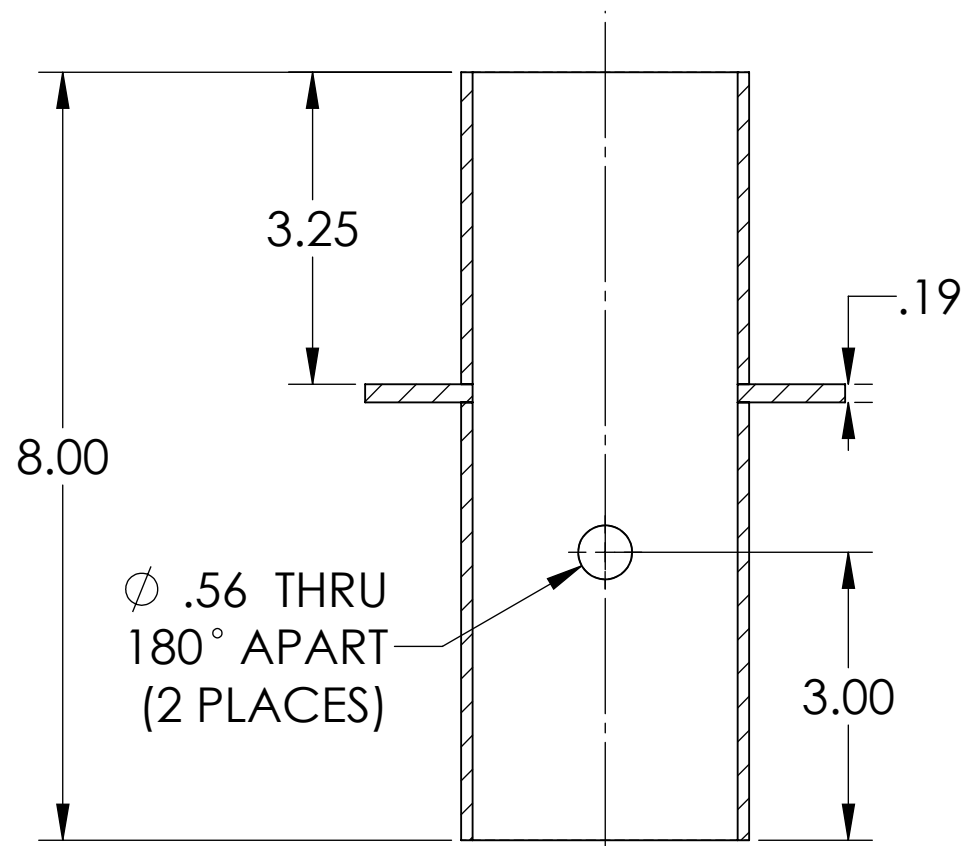
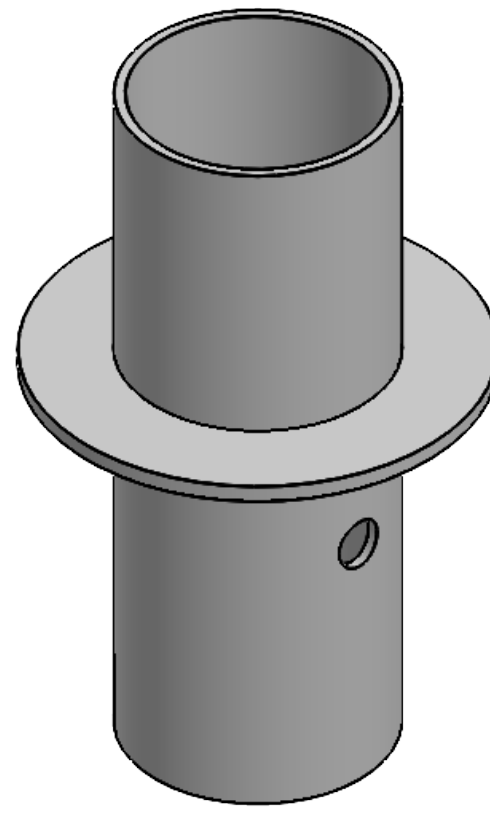
3

2

1



Ø 5.00




Ø .56 THRU  
180° APART  
(2 PLACES)

Ø 3.00 OD  
Ø 2.76 ID

SECTION A-A

All dimensions and specifications are subject to change without any notice.

**PROPRIETARY AND CONFIDENTIAL**  
THE INFORMATION CONTAINED IN THIS DRAWING IS THE SOLE PROPERTY OF *Energy Light, Inc.* ANY REPRODUCTION IN PART OR AS A WHOLE WITHOUT THE WRITTEN PERMISSION OF *Energy Light, Inc.* IS PROHIBITED.

		UNLESS OTHERWISE SPECIFIED:		NAME	DATE	TITLE: <b>Pole Top Reducer 4 Inch to 3 Inch</b>			
		DIMENSIONS ARE IN INCHES		DRAWN	MKA			01-18-21	
		TOLERANCES: FRACTIONAL ± 1/64 ANGULAR: ± 0.5° TWO PLACE DECIMAL ±0.01 THREE PLACE DECIMAL ±0.005		ENG APPR.					
		INTERPRET GEOMETRIC TOLERANCING PER:		MFG APPR.					
		MATERIAL		Q.A.			SIZE	ITEM NO.	REV
		STEEL		 <b>Energy Light, Inc.</b> 1881 Rose Road Lake Zurich, IL 60047			<b>B</b>	<b>555001</b>	
NEXT ASSY	USED ON	FINISH					SCALE: 1:2	WEIGHT: 3.5 lbs	SHEET 1 OF 1
APPLICATION		DO NOT SCALE DRAWING							

4

3

2

1

B

B

A

A