

4

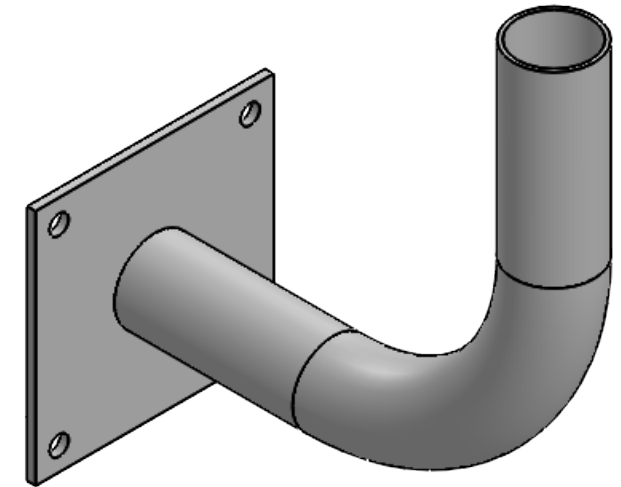
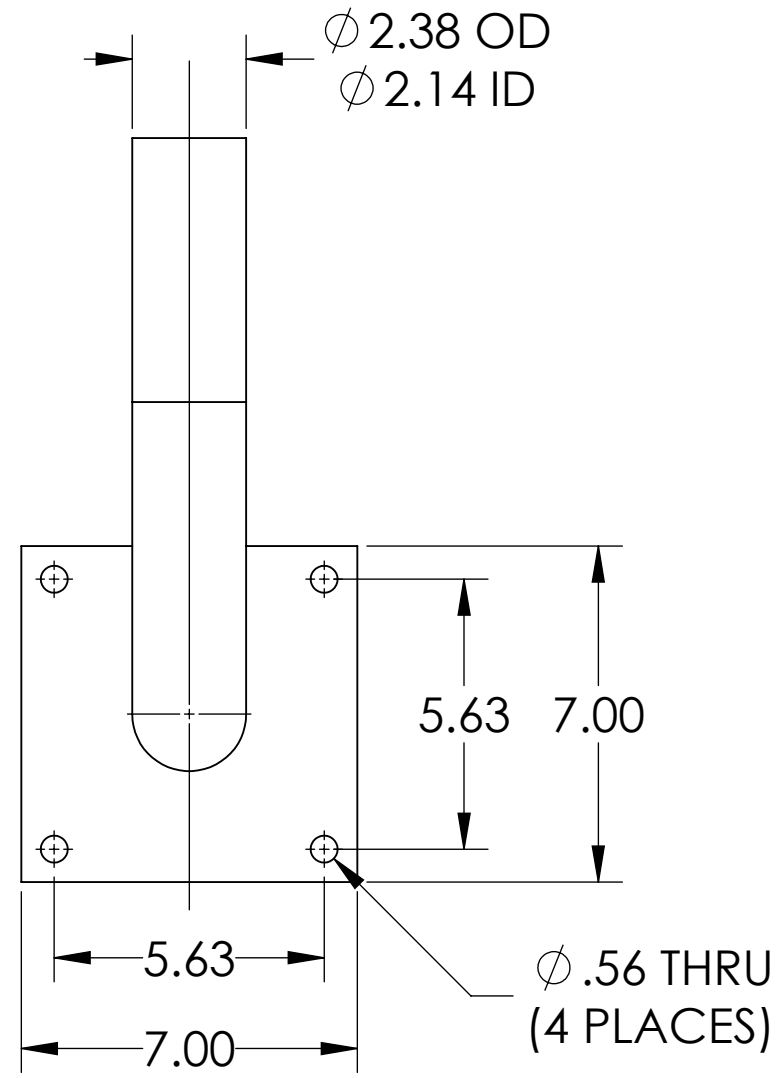
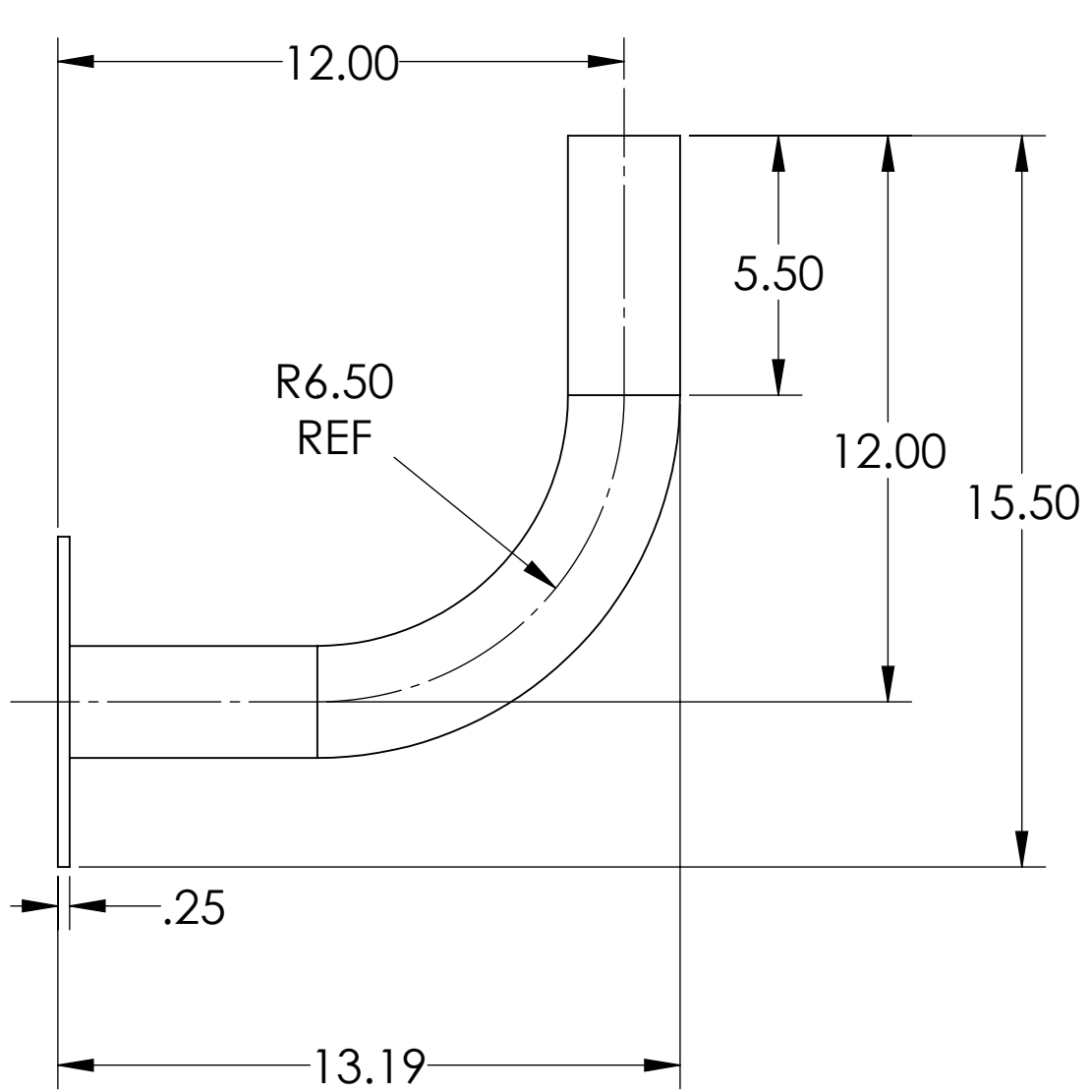
3

2

1

B

B




A

A

All dimensions and specifications are subject to change without any notice.

PROPRIETARY AND CONFIDENTIAL
THE INFORMATION CONTAINED IN THIS DRAWING IS THE SOLE PROPERTY OF *Energy Light, Inc.* ANY REPRODUCTION IN PART OR AS A WHOLE WITHOUT THE WRITTEN PERMISSION OF *Energy Light, Inc.* IS PROHIBITED.

		UNLESS OTHERWISE SPECIFIED:		NAME	DATE	TITLE: Curved Right Angle Bracket for Wall Mounting			
		DIMENSIONS ARE IN INCHES TOLERANCES: FRACTIONAL \pm 1/64 ANGULAR: \pm 0.5° TWO PLACE DECIMAL \pm 0.01 THREE PLACE DECIMAL \pm 0.005		DRAWN	MKA			10-28-20	
		INTERPRET GEOMETRIC TOLERANCING PER:		ENG APPR.					
		MATERIAL STEEL		MFG APPR.					
NEXT ASSY	USED ON	FINISH		Q.A.			SIZE B	ITEM NO. 555831	REV
APPLICATION		DO NOT SCALE DRAWING		 Energy Light, Inc. 1881 Rose Road Lake Zurich, IL 60047		SCALE: 1:4		WEIGHT: 7.8 lbs	SHEET 1 OF 1

4

3

2

1