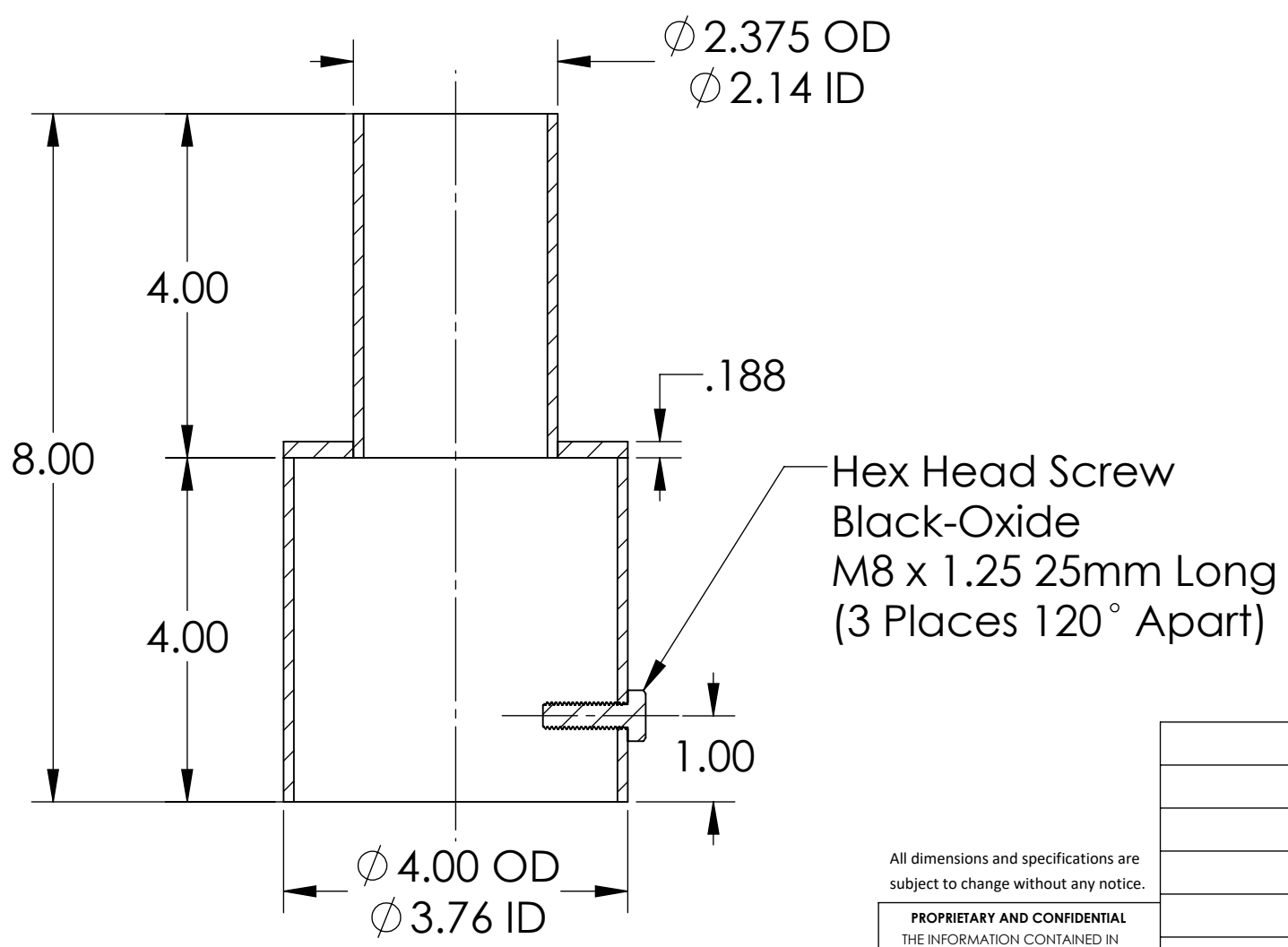
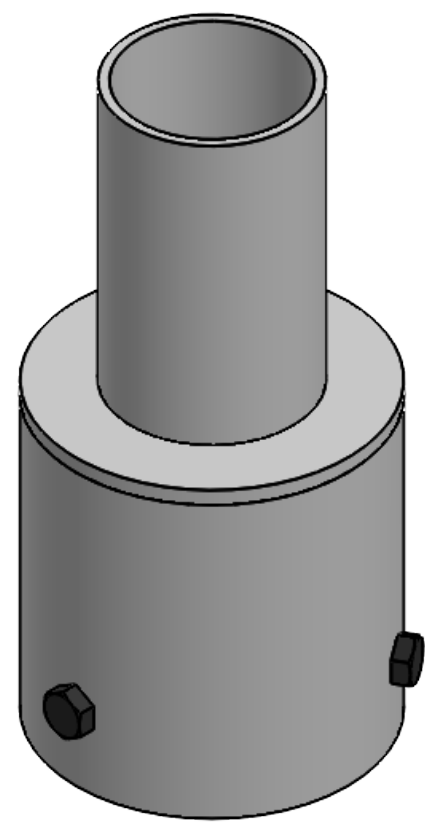
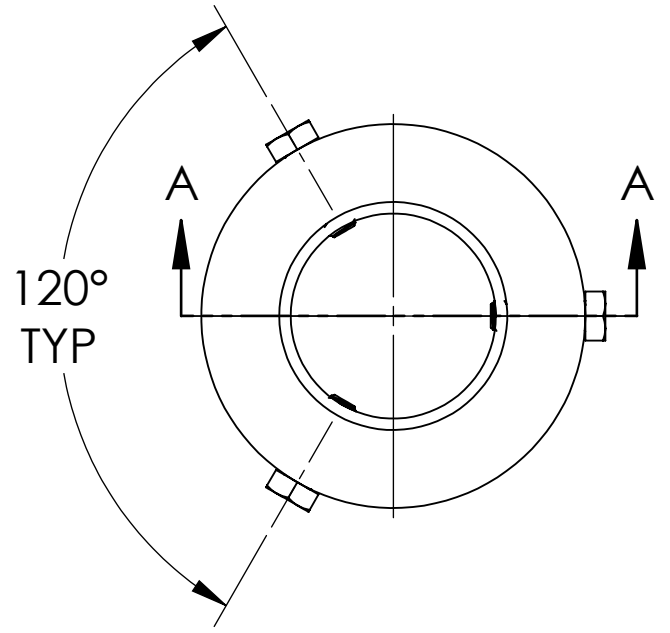


4

3

2


1



SECTION A-A

All dimensions and specifications are subject to change without any notice.

PROPRIETARY AND CONFIDENTIAL
THE INFORMATION CONTAINED IN THIS DRAWING IS THE SOLE PROPERTY OF *Energy Light, Inc.* ANY REPRODUCTION IN PART OR AS A WHOLE WITHOUT THE WRITTEN PERMISSION OF *Energy Light, Inc.* IS PROHIBITED.

		UNLESS OTHERWISE SPECIFIED:		NAME	DATE	TITLE: Tenon Adapter for 3.5" Round Poles		
		DIMENSIONS ARE IN INCHES TOLERANCES: FRACTIONAL \pm 1/64 ANGULAR: \pm 0.5° TWO PLACE DECIMAL \pm 0.01 THREE PLACE DECIMAL \pm 0.005		DRAWN	MKA			01-15-21
		INTERPRET GEOMETRIC TOLERANCING PER:		ENG APPR.				
		MATERIAL STEEL		MFG APPR.				
NEXT ASSY	USED ON	FINISH		 Energy Light, Inc. 1881 Rose Road Lake Zurich, IL 60047		SIZE B	ITEM NO. 555865	REV
APPLICATION		DO NOT SCALE DRAWING				SCALE: 1:2	WEIGHT: 3.5 lbs	SHEET 1 OF 1

4

3

2

1

B

B

A

A