

**Commercial Grade
Single Receptacle
2-Pole, 3-Wire
15A/250V, 6-15R**



Model No.: 61160

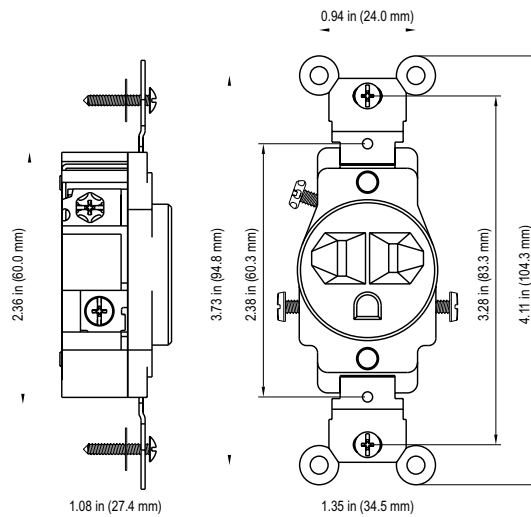
Description: Enerlites' Commercial Grade Receptacles are rated for variety of standard configuration. This single tamper resistant receptacle is equipped with break-off plaster ears and tabs to allow for easy alignment. All receptacles designed with thermoplastic construction and feature a shallow build for maximum wiring room.

Features:

- 15 amp/250-Volt
- Flammability UL94, V2 Rating.
- With ears; straight blade; side wired; steel strap
- Shallow design for maximum wiring room

Specifications:

Type	Single Outlet
Color Availability.....	White and Ivory
Grounding.....	Grounding
Amperage.....	15Amp
Voltage.....	250V
Termination.....	Side Wired
Standards and Certifications.....	UL Listed



Testing & Code Compliance



Enerlites, Inc.

www.enerlites.com

Phone: 949-756-0536 Fax: 949-756-0528 e-mail: sales@enerlites.com