

Industrial Grade Duplex TR Receptacle 2-Pole, 3-Wire 15A/125V, 5-15R



Model No.: 61570-TR

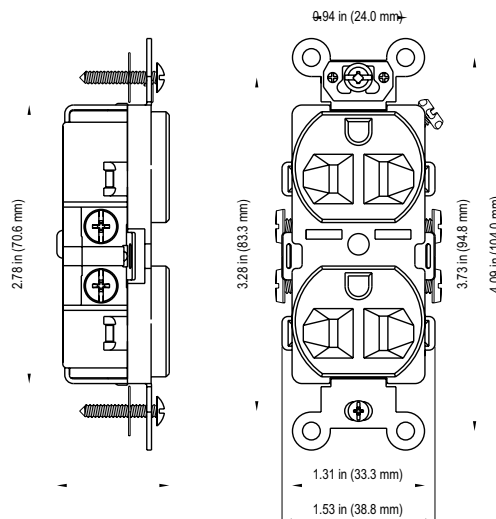
Description: Enerlites' Industrial Grade Receptacles are rated for variety of standard configuration. Each duplex is Tamper Resistant and equipped with break-off plaster ears and tabs to allow for easy alignment and 2-circuit conversion. All duplex receptacles and designed with thermoplastic construction and feature a shallow build for maximum wiring room

Features:

- 15 amp/125-Volt
- Flammability UL94, V2 Rating.
- With ears; straight blade; quick push-in and side wired; steel strap
- Tamper Resistant
- Shallow design for maximum wiring room

Specifications:

Type	Two Pole
Color Availability.....	White and Ivory
Grounding.....	Self Grounding
Amperage.....	15Amp
Voltage.....	125V
Termination.....	Push In and Side Wired
Thermoplastic Cover and Body	
Standards and Certifications.....	UL Listed



Testing & Code Compliance



Enerlites, Inc.

www.enerlites.com

Phone: 949-756-0536 Fax: 949-756-0528 e-mail: sales@enerlites.com