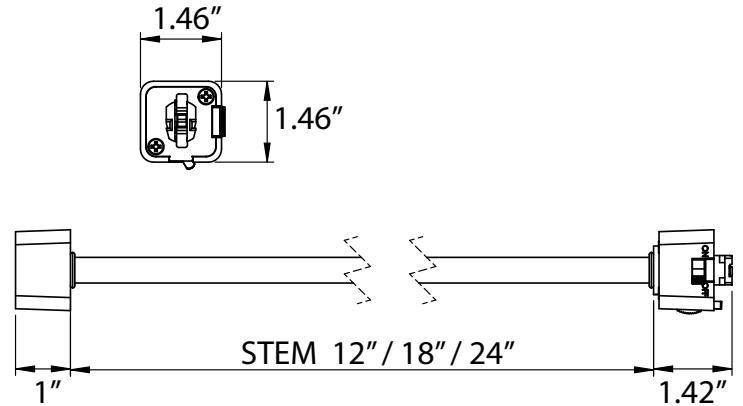


7684

Catalog #:		Type
Project:		Date
Prepared by:		

Extension Wand for Track Light



DESCRIPTION

The 7684 Track Light Extension Wand allows any track light fixture to be extended from the track.

DESIGN FEATURES

Installation

- To prevent electrical shock, turn off electricity at fuse box before proceeding
- For use in dry locations only
- After proper insertion of keyed alike shaped, turn the adapter clockwise (to the right) until the thumb grip locks into place with just a quarter turn

ORDERING

Example: 7684-12WH

Model #		Finish
7684	-12 : 12" -18 : 18" -24 : 24"	WH : White BK : Black