

### APPLICATIONS

Premium grade surface mounted wraparound luminaire with low brightness linear sides. For use in indoor applications where high efficiency, high performance and ease of installation is required. Ideal for retail stores, stairwells, utility areas, schools, offices and public buildings.

### FEATURES & BENEFITS

- ◆ Nominal 11" and 15" wraps
- ◆ Clear acrylic diffuser with prismatic bottom and ribbed linear sides
- ◆ Diffuser self-aligns and hinges from either side for easy maintenance
- ◆ Available in multiple lamp configurations
- ◆ Available in lengths from 24 to 96 inches - (2', 3', 4', 6', 8' lengths)
- ◆ Surface, stem or chain mountable
- ◆ Single or continuous row mounting capability
- ◆ Every fixture individually tested
- ◆ **UL** listed for damp location



### SPECIFICATIONS

Housing and ends are die-formed from cold rolled steel. Finish is high reflectance baked white enamel with a reflectance factor exceeding 86%. Ballast cover snaps into place eliminating the need for tools when accessing the ballast. Diffuser hinges from either side in a lift and shift manner and is self-centering. Listed by and bears **UL** label.

### ORDERING DATA

**EXAMPLE: 772 2 32 MV B1**

772

Series	Type	# of Lamps	Lamp Type	Ballast Type
<b>Blank</b>	Standard (All lamps available)	<b>1</b> 1 Lamp*	<b>14</b> 22" T5	<b>MV</b> Electronic 120V to 277V
<b>N</b>	Narrow Unit (1L & 2L available)	<b>2</b> 2 Lamp	<b>17</b> 24" T8	<b>120V</b> Electronic 120V
		<b>3</b> 3 Lamp*	<b>21</b> 34" T5	<b>277V</b> Electronic 277V
		<b>4</b> 4 Lamp	<b>24</b> 22" T5HO	<b>R120</b> Residential Electronic 120V
			<b>25</b> 36" T8	<b>PMV</b> Program Start Multivolt
			<b>25TAN</b> 2-36" TAN T8	<b>LED**</b> Wired 1 end hot for T8 LED tubes
			<b>28</b> 46" T5	<b>LED2E**</b> Wired 2 ends hot for T8 LED tubes
			<b>28TAN</b> 2-46" TAN T5	<b>** Assembled with no ballast,</b>
			<b>32</b> 48" T8	<b>made for UL Listed, self ball-</b>
			<b>32TAN</b> 2-48" TAN T8	<b>lasted retrofit LED lamps</b>
			<b>39</b> 36" T5HO	
			<b>54</b> 46" T5HO	
			<b>54TAN</b> 2-46" TAN T5HO	
			<b>72</b> 72" T8HO	
			<b>72</b> 72" T12HO	
			(Voltage specific)	
			<b>96</b> 96" T8	
			<b>96</b> 96" T8HO	
			<b>96</b> 96" T12HO	

#### Brands

Code No.	Description
A	Advance
G	GE Ballast
L	Lutron
S	Sylvania Ballast
U	Universal

#### Performance Levels

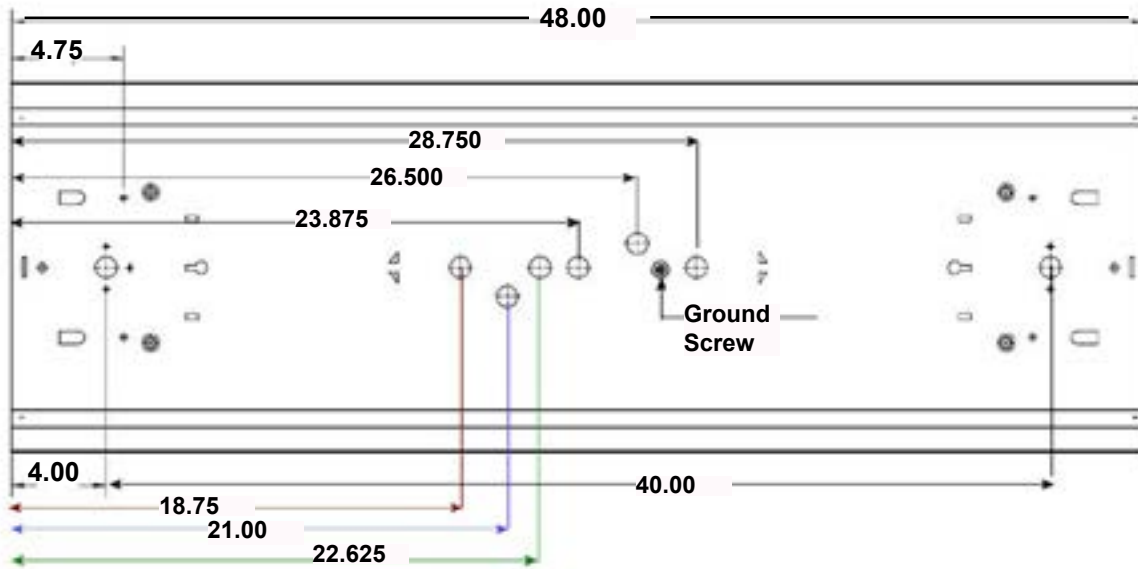
Manufacturer	Ballast		
	Standard - Leave blank if no preference	High Efficiency Instant Start	High Efficiency Program Start
Advance (A)	Centium ICN (A)	Optanium (AL, AN, AH)	Optanium PS (APL, APN ???)
GE (G)	Proline GE (G)	UltraMax (GL, GN, GH)	UltraStart (GPL, GPH, GPH)
Osram/Sylvania (S)	Quicktronic Pro (S)	Quicktronic QHE (SL, SN, SH)	ProStart (SPL, SPN, SPH)
Universal (U)	ULT STD Electronic (U)	HP Electronic (UL, UN, UH)	AccuStart (UPI, UPN, UPH)

Dimensions and specifications subject to change without notice.

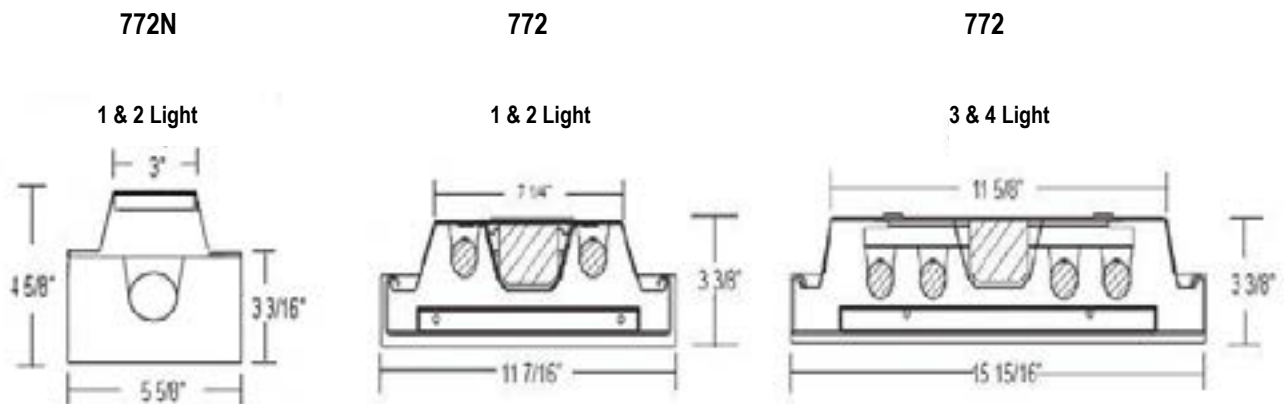
Options	
<b>B1</b>	T8/T5 1L 500 Lumens Battery Backup (B11)
<b>B2</b>	T8/T5 1L/2L 700 Lumens Battery Backup (B48)
<b>B3</b>	T8/T5 1L/2L 1400 Lumens Battery Backup (B223)
<b>B51</b>	T5HO 1L 500 Lumens Battery Backup (B625)
<b>B52</b>	T5HO 1L 800 Lumens Battery Backup (B585)
<b>B53</b>	T5HO 1L 1300 Lumens Battery Backup (B626)
<b>SW</b>	Smooth White Lens (773 Series)
<b>OS</b>	Occupancy Sensor
<b>11</b>	Dual Ballasts 1 Lamp + 1 Lamp
<b>21</b>	Dual Ballasts 2 Lamp + 1 Lamp
<b>22</b>	Dual Ballasts 2 Lamp + 2 Lamp
<b>31</b>	Dual Ballasts 3 Lamp + 1 Lamp
<b>RIF</b>	Radio Interference Filter
<b>XS</b>	Silver MIRO 4 Reflector
* Call factory for additional options	
* Lamps purchased separately	

**DIMENSIONS**

**TOP VIEW**



**END VIEWS**



Dimensions and specifications subject to change without notice.