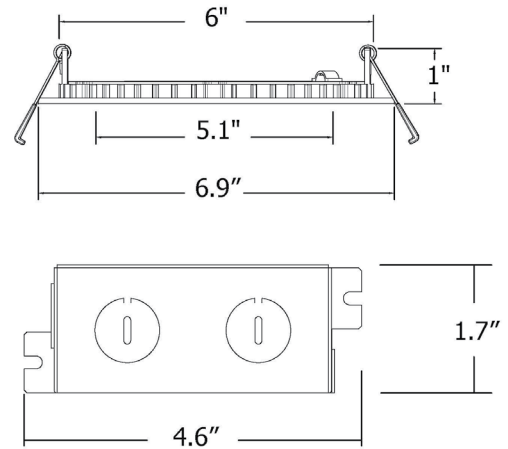


8542-2

120V

Catalog #:		Type
Project:		Date
Prepared by:		

6" LED Ultra-Thin Downlight



DESCRIPTION

A versatile LED down light solution with edge-lit technology and an off-board driver allow for an ultra slim profile and flexible mounting options. Installation is a snap with the plenum-rated driver box and linkable connector cable — there is no need for a j-box or recessed housing when used for retrofit. The simple spring-loaded retention tabs securely hold each downlight snug to the ceiling.

DESIGN FEATURES

Construction

- Ultra-thin profile
- Durable aluminum construction
- Frosted acrylic lens diffuses glare and maximizes output

Electrical

- 120V-60Hz, AC
- Dimmable Triac or ELV, 10-100%
- 50,000 hour projected life
- 120° Beam Angle
- 14W | 884 lms (delivered)
- 90 CRI | 3000K or 4000K

Installation

- Spring-loaded retention tabs hold downlight snug to ceiling surface, off-board driver/ junction box, poke-in connectors, and linkable connector cable
- IC Rated for direct contact with batt type fiberglass insulation

EM Option

- RP Lighting 4782EM emergency battery pack factory installed
 - Emergency Battery Output = 9W
 - Emergency Lumen Output = 9W x Fixture L/W

Certifications

- cETLus listed for wet location
- Energy Star Listed
- CEC JA8 Compliant
- IC Rated | Air Tight Rated
- LED Light Source: 5 Year Limited Warranty
- Other Components: 1 Year Limited Warranty

ORDERING GUIDE Example: 8542-2WH-90-3K

Model #	Finish	CRI	CCT	EM
8542-2	WH	-90		
8542-2	WH : White	-90 : 90 CRI	-3K : 3000K -4K : 4000K	: Blank (no EM) -EM : adds -EM option
Accessories				
PF-6	: Mounting Plate (see page 2 for details)			
8742PR	: Plastic Trim Ring (see page 2 for details)			



LED Light Source Other Components

TEL: 800.937.6925 | Fax: 800.207.9509 | www.rplighting.com

Specifications and dimensions subject to change without notice.

9/25/23 R7



RP LIGHTING · FANS

8542-2 - 6" LED Ultra-Thin Downlight

