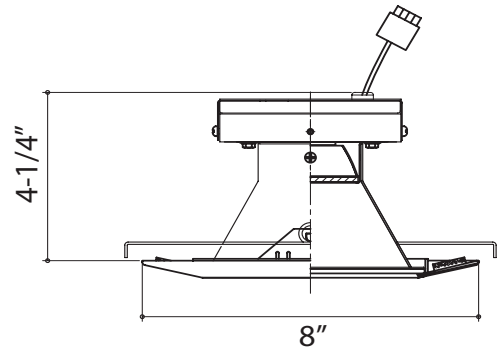


8570
120-277V

Catalog #:		Type
Project:		Date
Prepared by:		

6" LED Module/Trim Component



6" LED Module/Trim

DESCRIPTION

The 8570 is a 6" LED module/trim that is an ideal solution when paired with the 8116HIC for affordability, safety, and efficiency in any new construction project requiring an IC rating.

DESIGN FEATURES

Construction

- Spun aluminum reflector with plastic trim ring
- Robust extruded aluminum heatsink

Electrical

- Universal voltage: 120-277V
- Triac dimmable with 8116HIC driver
- 50,000 hour projected life
- 15W | 950lm
- 20W | 1,500lm
- Available in 3000 or 4000K CCT

Installation

- Easy installation with torsion springs and a plug-in quick connect for the 8116HIC

Lens

- Textured clear glass lens

Finish

- Available in white or frosted shower finish

Certifications

- cETLus
- 5 year limited warranty

Compatibility

- 8570 requires the 8116HIC for operation and is not compatible with any other housing.

ORDERING			
Trim	Finish	Watts	CCT
8570			
8570	WH : White FS : Frosted Shower	-15 : 15W -20 : 23W	-3K : 3000 K -4K : 4000 K

Example: 8570-WH-15-3K

TEL: 800.937.6925 | Fax: 800.207.9509 | www.rplighting.com

Specifications and dimensions subject to change without notice.

