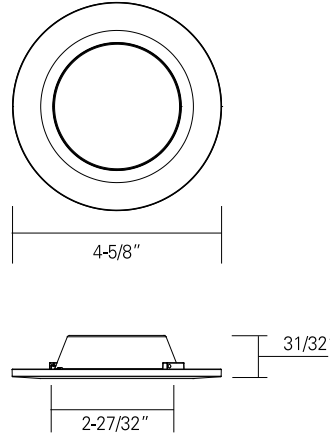


8708-HO-90

120V

Catalog #:		Type
Project:		Date
Prepared by:		

4" LED Round High Output Retrofit Downlight



DESCRIPTION

The 8708-HO-90 is a high output, slim profile, small aperture downlight that fits in a 4" octagonal j-box with multiple trim-ring finish accessories. Wet location listing, IC rating, and wide distribution makes this an excellent choice for simple illumination in hallway and bathroom applications.

DESIGN FEATURES

Construction

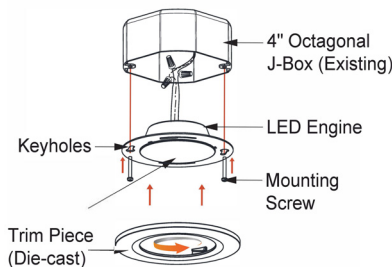
- Durable aluminum construction
- Polycarbonate frosted lens

Electrical

- 120V-60Hz
- Dimmable TRIAC or ELV, 10-100%
- 50,000 hour projected life
- 11.1W | 875 lms (delivered)
- HO-90 CRI | 3000K
- Beam Angle: 110°
- Operating temperature: 14°F - 104°F

Installation

- Simple and easy installation - light engine and trim connects via twist and lock
- Installs in 4" Octagonal ceiling j-box (min 2" depth); j-box supplied by others



Die Cast Trim (sold separately)

- 4-JBR-BK: Black
- 4-JBR-BN: Brushed Nickel

Certifications

- cCSAus Listed for wet location
- IC Rated
- LED Light Source: 5 Year Limited Warranty
- Other Components: 1 Year Limited Warranty
- Suitable for use in closets when installed in accordance to NEC Section 410.16 (C)(1)

ORDERING GUIDE

Example: 8708WH-HO-90-3K

Model #	Finish	CRI	CCT
8708	WH	-HO-90	-3K
8708	WH : White	-HO-90 : High Output, 90 CRI	-3K : 3000K
Accessory		Finish	
4-JBR-BK 4-JBR-BN		Black Trim Ring for 8708 Brushed Nickel Trim Ring for 8708	

Refer to 8708 and 8709 Specification Sheets for other Retrofit Downlights

TEL: 800.937.6925 | Fax: 800.207.9509 | www.rplighting.com

Specifications and dimensions subject to change without notice.

6/26/2023



8708-HO-90 - 4" High Output Retrofit Downlight