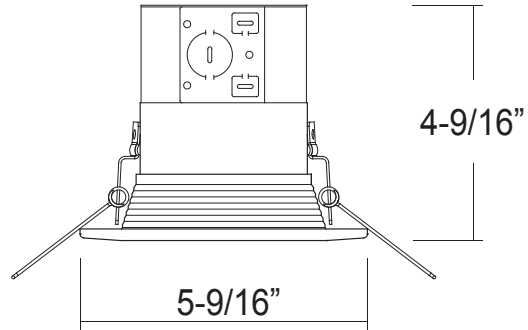


**8775**  
120V-60Hz

Catalog #:		Type
Project:		Date
Prepared by:		

## 4" IC, LED J-Box Downlight



Ceiling Cut-Out: 4-3/8"

4" IC, LED Downlight

### DESCRIPTION

The 8775 4" LED Retrofit J-box Downlight is an all-in-one housing and baffle trim. Designed for use in new construction or remodel applications with insulated ceilings making this a quick, easy, and affordable way to upgrade to an energy efficient LED downlight solution.

### DESIGN FEATURES

#### Construction

- All-in-one housing and trim with integral J-box housing
- Durable aluminum construction allowing superior heat distribution

#### Electrical

- 120V-60Hz
- Dimmable TRIAC, 10-100%
- 50,000 hour projected life
- 12.7W | 960 lms (source) | 703 lms (delivered)
- 3000K or 4000K | 90 CRI

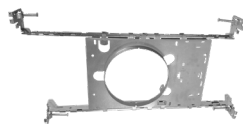
#### Installation

- Listed for through branch circuit wiring and includes (4) 1/2" knockouts with true pry-out slots and (4) knockouts with Romex cable clamp
- Built-in mouse trap springs for use with direct remodel ceiling or new construction

#### Accessory Mounting Plate Assembly

##### PF-4

- Includes four 12" bar hanger to allow for easy adjustment and easy installation
- Durable aluminum construction
- Perfect for installing recessed lighting into new construction



#### Finish

- Available in white baffle (WH)

#### Certifications

- Energy Star Listed
- CEC JA8 Listed
- cCSAus Certified for use in wet locations
- 5 year limited warranty

### ORDERING GUIDE

Example: 8775WH-90-3K

Model #	Finish	CRI	CCT
8775	WH	-90	
8775	WH : White	-90 : 90 CRI	-3K : 3000K -4K : 4000K
Accessory			
PF-4	: Mounting Plate		

TEL: 800.937.6925 | Fax: 800.207.9509 | [www.rplighting.com](http://www.rplighting.com)

Specifications and dimensions subject to change without notice.



1/21/21 R4

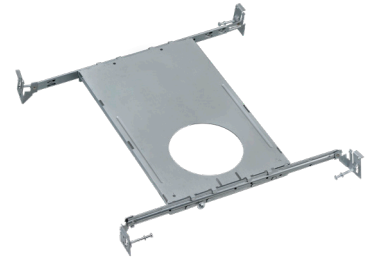


RP LIGHTING · FANS

## Mounting Plate Assembly Information

### Accessory Mounting Plate Assembly

- **PF-4**
- Includes four 12" bar hanger to allow for easy adjustment and easy installation
- Durable aluminum construction
- Perfect for installing recessed lighting into new construction



### New Construction Mounting Plate Assembly:

1. Align hanger bar brackets with mounting holes on the new construction mounting plate and secure in place with mounting screws (Fig. 1).  
*NOTE:* Hanger bars can be installed on long or short side of the new construction mounting plate.
2. Insert both female and male parts of the hanger bars into the bracket from opposite ends (Fig. 2). Make sure that the male part is inserted within the female part and that the end tab is facing downwards.

