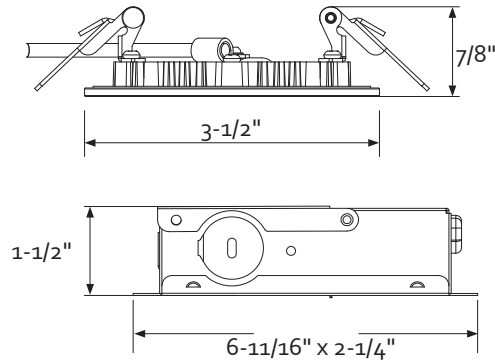


8842-1

120V

Catalog #:		Type
Project:		Date
Prepared by:		

3" LED Ultra-Thin Light



DESCRIPTION

A versatile LED down light solution with edge-lit technology and an off-board driver that allows for an ultra slim profile and flexible mounting options. Installation is a snap with the plenum-rated driver box and linkable connector cable — there is no need for a j-box or recessed housing. The simple spring-loaded retention tabs securely hold each downlight snug to the ceiling.

DESIGN FEATURES

Construction

- Ultra slim profile
- Durable aluminum construction
- Frosted acrylic lens diffuses glare and maximizes output

Electrical

- 120V-60Hz
- Dimmable TRIAC / Dimmable ELV, 10-100%
- 50,000 hour projected life
- 120° Beam Angle
- 7W | 754 lms (source) | 466 lms (delivered) | 90 CRI | 3000K

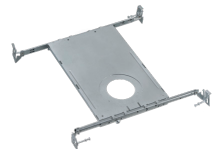
Installation

- Simple installation with hinged, off-board driver/ junction box, poke-in connectors, and linkable connector cable
- Spring-loaded retention tabs hold downlight snug to ceiling surface
- IC Rated for direct contact with batt type fiberglass insulation

3" Mounting Plate Accessory PF-3

(sold separately)

- New Construction Mounting Plate
- Includes four 12" bar hanger
- Durable aluminum construction
- Perfect for installing recessed lighting into new construction



Certifications

- cCSAus Listed for wet locations
- LED Lamp: 5 Year Limited Warranty
- Other Components: 1 Year Limited Warranty

ORDERING GUIDE

Example: 8842-1-WH-90-3K

Model #	Finish	CRI	CCT*
8842-1-	WH	-90	-3K
8842-1-	WH : White	-90 : 90 CRI	-3K : 3000K
Accessory	(sold separately)		
PF-3	3" plaster frame for new construction		

*4000K available through Special Order - contact factory

TEL: 800.937.6925 | Fax: 800.207.9509 | www.rplighting.com

Specifications and dimensions subject to change without notice.



LED Lamps Other Components

3/11/22 R1



LIGHTING • FANS

8842-1 - 3" LED Ultra-Thin Light

8842-1

120V

New Construction Mounting Plate Assembly:

1. Align hanger bar brackets with mounting holes on the new construction mounting plate and secure in place with mounting screws (Fig. 1).
NOTE: Hanger bars can be installed on long or short side of the new construction mounting plate.
2. Insert both female and male parts of the hanger bars into the bracket from opposite ends (Fig. 2). Make sure that the male part is inserted within the female part and that the end tab is facing downwards.

