

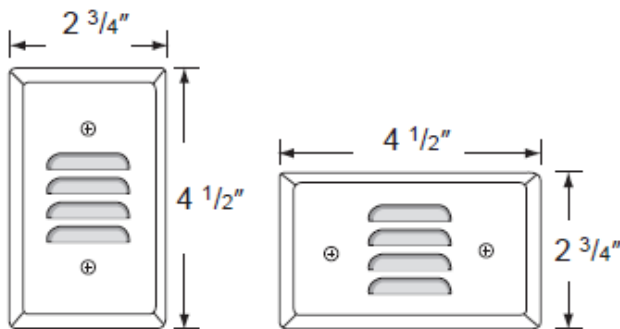


RP

LIGHTING • FANS

Type:
Project:
Comments:
Prepared By:

Category #:	8918
Family:	8900
Product Category:	Step light
Description:	Mini LED Step Light
Finishes:	White, brushed aluminum & black
Design Features	
Dimmable	No
IC rating	IC rated for direct contact w/ insulation
Cover	Horizontal and vertical faceplate included
CRI	80
Color Temperature	4000K
Beam angle	120°
Wattage	1W
Voltage	120V-60Hz
Lamp	LED
Lamp Life	50,000 hours
Warranty	5 year limited warranty
Listing	
ETL/UL	cETLus Wet location listed



CONTACT US- Toll Free: 1-800-937-6925 Fax: 1-888-207-9509 or visit our website at www.rplighting.com