



Description

Featuring highly efficient LED drivers and a water resistant housing, the LED Gas Station Canopy series can be featured in a wide range of indoor and outdoor applications! Available in a wide range of wattages, it is excellent for gas stations, museums, art galleries, shopping malls, parking garages and many more!



Applications

Warehouses Low Ceilings Hallways
Parking Garages Underpasses Tunnels

Specs

Efficacy 130 lm/W - 140 lm/W
Input Voltage 100-277V
Finish White

Details

IP Rating Wet Location
Materials Aluminum
Lens Polycarbonate
L70 Life 50,000 Hours
Warranty 5 Years
CRI 70+
Qualification UL, DLC Premium, FCC, CE, RoHS
Beam Angle 111°, 109°, 105°

Electrical

Power Factor 0.95 / 0.98
Operating Temp. -22° F to 113° F
Storage Temp. -40° F to 176° F
Dimming 0-10V

LED Gas Station Canopy Series

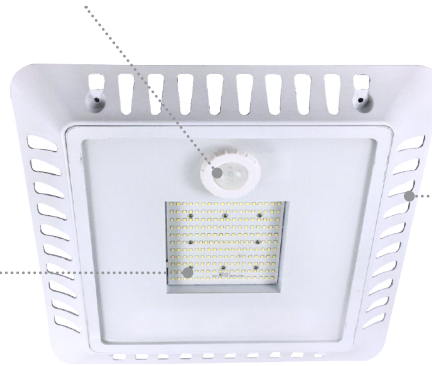
Ordering Information

ORDERING/DLC #:	Wattage	CCT	Lumens
U-GSCS-95-40	95W	4000K	12,721 lm
U-GSCS-95-50	95W	5000K	12,721 lm
U-GSCS-120-40	120W	4000K	16,086 lm
U-GSCS-120-50	120W	5000K	16,086 lm
U-GSCS-150-40	150W	4000K	21,250 lm
U-GSCS-150-50	150W	5000K	21,250 lm
U-GSCS-200-40	200W	4000K	28,390 lm
U-GSCS-200-50	200W	5000K	28,390 lm



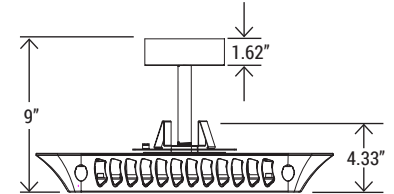
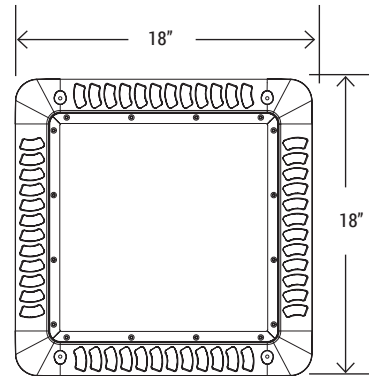
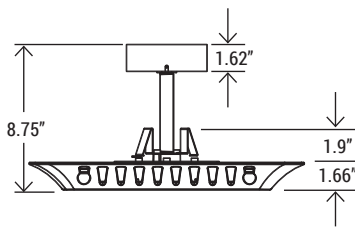
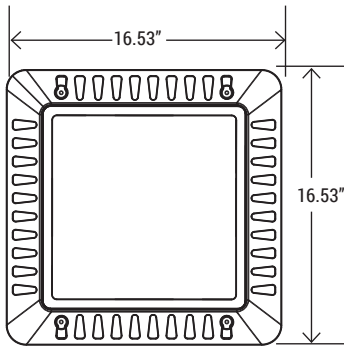
Motion sensor ready

Optical lens is made of high quality glass material to make the light even and soft.



High performance, die cast heat sink transfers heat from the light engine to the environment, via large cooling fins, drawing heat away from the fixture, and extending the lifespan of the LEDs.

DIMENSION



WATTAGE	95W, 120W
GR. WEIGHT	9.87 lbs
BOX DIMENSION	21" x 21" x 5.12"

WATTAGE	150W, 200W
GR. WEIGHT	13.45 lbs
BOX DIMENSION	20.7" x 20.7" x 5.5"

CONTROLS



BRI810-B-M8

Mounts in an outdoor lighting fixture and provides multi-level control based on motion and/or daylight contribution



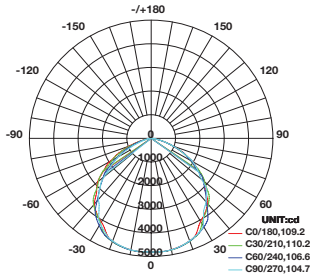
RC

Remote Controller

PHOTOMETRICS

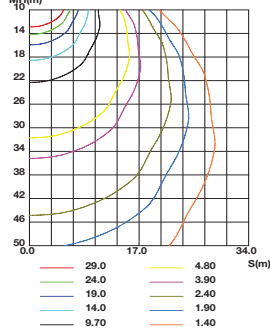
CP95W27-50K

LUMINOUS INTENSITY DISTRIBUTION DIAGRAM



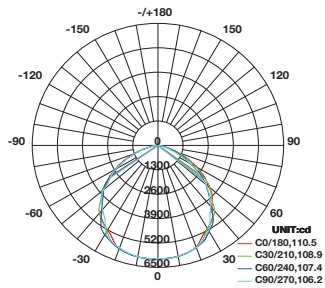
AVERAGE BEAM ANGLE(50%):107.7 DEG

C0 PLANE ISOLUX DIAGRAM (UNIT:lx)



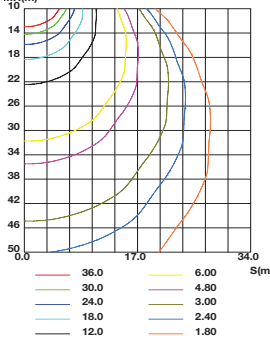
CP12W27-50K

LUMINOUS INTENSITY DISTRIBUTION DIAGRAM



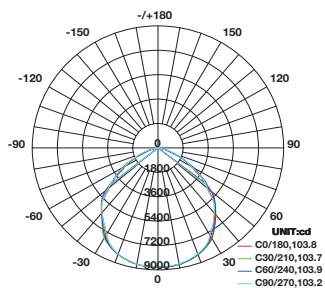
AVERAGE BEAM ANGLE(50%):108.2 DEG

C0 PLANE ISOLUX DIAGRAM (UNIT:lx)



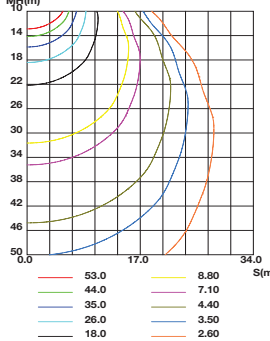
CP15W27-50K

LUMINOUS INTENSITY DISTRIBUTION DIAGRAM



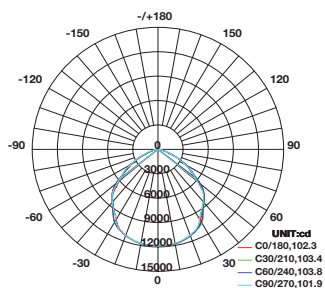
AVERAGE BEAM ANGLE(50%):103.6 DEG

C0 PLANE ISOLUX DIAGRAM (UNIT:lx)



CP20W27-50K

LUMINOUS INTENSITY DISTRIBUTION DIAGRAM



AVERAGE BEAM ANGLE(50%):102.8 DEG

C0 PLANE ISOLUX DIAGRAM (UNIT:lx)

