



## Description

Our Street Lights are becoming the primary selection for governments around the world looking to brighten their roads. The exquisite design of the model is only matched by its illuminance on the asphalt.



Not all product variations listed on this page are DLC qualified. To ensure that a specific model is qualified, visit [www.designlights.org/search](http://www.designlights.org/search)

## Applications

Highways  
Freeways  
Neighborhoods  
Streets / Roads

## Specs

Efficacy 150 lm/W  
Input Voltage 100-277V  
Finish Gray

## Details

IP Rating IP65  
Materials Die Cast Aluminum  
Lens Tempered Glass  
EPA Rating 0.35  
L70 Life 150,000 Hours  
Warranty 10 Years  
CRI 70+  
Certifications UL, DLC 5.1, FCC, CE, RoHS, UFC  
Chip Man. Philips  
Whip Length 2.67'

## Electrical

Power Factor 0.99  
Frequency 50/60 Hz  
Max THD 16%  
Operating Temp. -40° F to 113° F  
-40° C to 45° C  
Dimming Optional

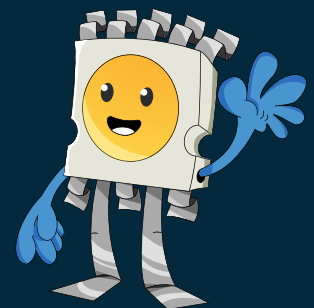
LED STREET LIGHT ARCHITECTURAL SERIES

## Ordering Information

ORDERING/DLC #:	Wattage	CCT	Lumens	Equivalent
U-ISL-30-30	30W	3000K	4,268 lm	150W MH
U-ISL-30-40	30W	4000K	4,320 lm	150W MH
U-ISL-30-50	30W	5000K	4,440 lm	150W MH
U-ISL-60-30	60W	3000K	8,100 lm	300W MH
U-ISL-60-40	60W	4000K	8,340 lm	300W MH
U-ISL-60-50	60W	5000K	8,580 lm	300W MH
U-ISL-90-30	90W	3000K	12,600 lm	450W MH
U-ISL-90-40	90W	4000K	12,960 lm	450W MH
U-ISL-90-50	90W	5000K	13,320 lm	450W MH
U-ISL-120-30	120W	3000K	16,800 lm	600W MH
U-ISL-120-40	120W	4000K	17,280 lm	600W MH
U-ISL-120-50	120W	5000K	17,760 lm	600W MH
U-ISL-150-30	150W	3000K	21,000 lm	750W MH
U-ISL-150-40	150W	4000K	21,600 lm	750W MH
U-ISL-150-50	150W	5000K	22,200 lm	750W MH

## Additional Notes

- Check for ETA's
- Altech Electronics reserves the right to make periodic improvements to our product specs



**Accessories and Options**



Phenix External Emergency Inverter (18470X-3) (optional)

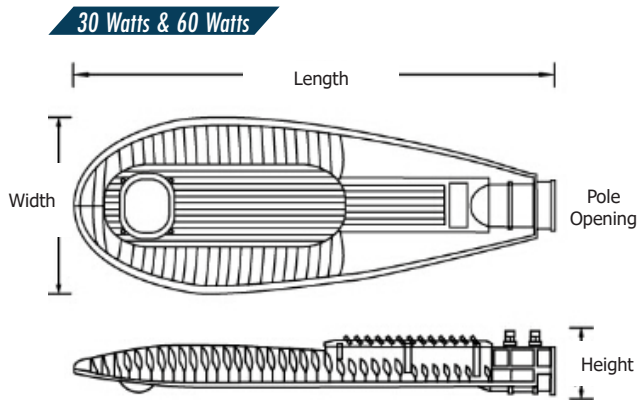


NEMA Photocell (optional)

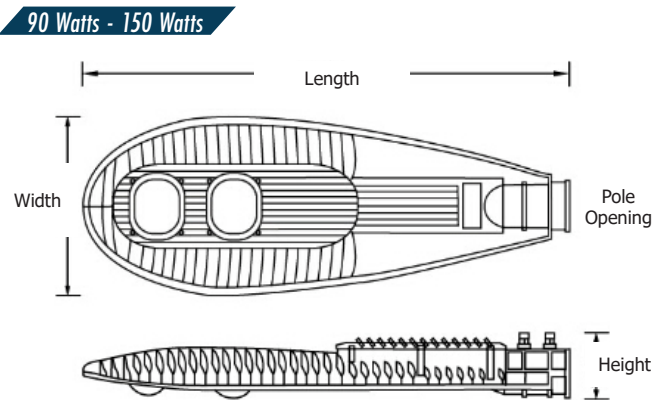


Compatible with controls and integrations

**Fixture Dimensions and Weight**



Length	Width	Height	Pole Opening	Weight
20.5 in.	8.6 in.	4.9 in.	2.2 in.	8.6 lb.
520 mm.	220 mm.	125 mm.	56 mm.	3.9 kg.



Length	Width	Height	Pole Opening	Weight
28.7 in.	11.6 in.	5.5 in.	2.5 in.	16.9 lb.
730 mm.	295 mm.	140 mm.	63.5mm.	7.6 kg.

**Wiring Precaution**

The international color scheme is brown (hot), blue (neutral) and green/yellow (ground) wiring. Always disconnect power when installing or troubleshooting. Consult a licensed technician.

