



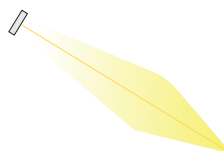
The Stadium Eyes LED Lighting Series can be used in a wide range of indoor and outdoor applications. Featuring high luminous efficiency and 75,000 hour lifespan, these fixtures are excellent for large outdoor fields, stadiums, parks, shipyards airports and many more applications



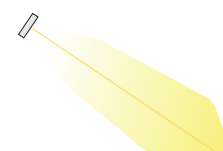
FEATURES

- LED high luminous efficiency and long working life.
- High efficiency LED Driver, the wide range input voltage AC120-277V / 277-480V.
- Die-cast aluminum cooling design, high quality and better cooling for LED Tj < 85°C.
- Excellent optics design, greatly improve the light utilization and evenness.
- 12V auxiliary dimming/Dali dimming (Optional)

LIGHTING ANGLE



NEMA III



NEMA IV

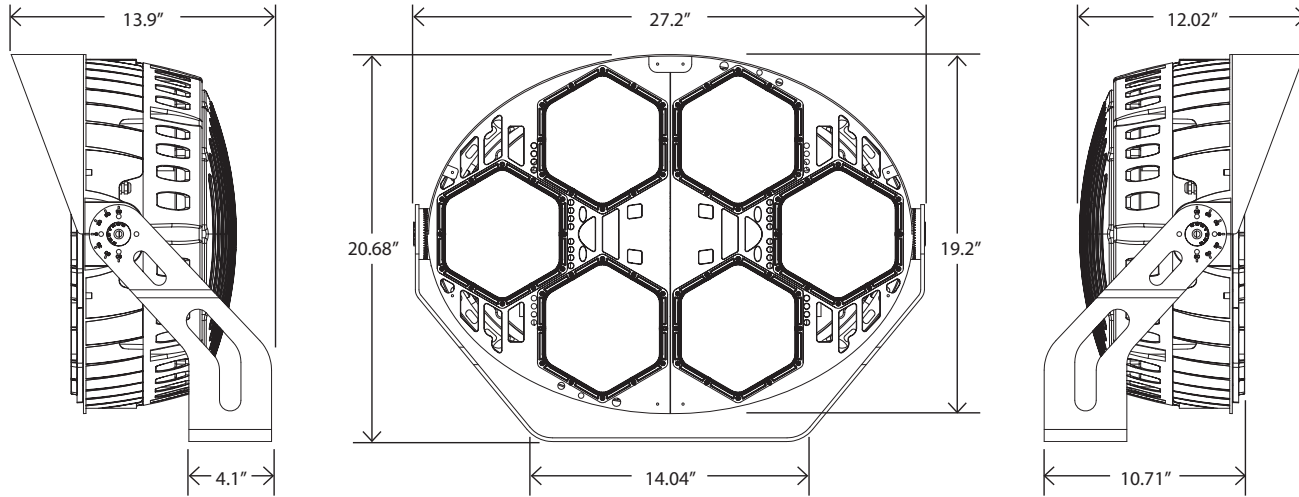


NEMA V

Specifications

WATTAGE	400W	600W
LUMEN	56800 lm	85200 lm
EFFICACY	140 lm/W	140 lm/W
CCT	4000K, 5000K	
CRI	80	
INPUT VOLTAGE	AC120-277V / 277-480V	
LIGHTING ANGLE	NEMA III, IV, V	
FIELD ANGLE (10% LMAX)	39.6 (III), 55.1 (IV), 84.8 (V)	
BEAM ANGLE (50% LAMX)	20.5 (III), 30.0 (IV), 53.5 (V)	
POWER FACTOR	0.95	
DRIVER EFFICACY	92%	
DIMMING	12V auxiliary dimming	
LIFE SPAN	up to 75,000 hrs	
WORKING TEMPERATURE	-22°F ~ 113°F	
STORAGE TEMPERATURE	-40°F ~ 176°F	
OUTDOOR RATING	Wet location	
CABLE	3core, 16AWG (1.0m)	
WARRANTY	5 year limited	

DIMENSION



EPA	2.3 ft ²	
NET WEIGHT	49.6 lbs	51.8 lbs

BOX DIMENSION 31.1" x 28.3" x 11.4"

ELECTRICAL LOAD

WATTAGE	CURRENT (VOLTAGE) (AMP)					
	120V	208V	240V	277V	347V	480V
WSD-SE40W	3.33 Amp	1.92 Amp	1.6 Amp	1.44 Amp	1.15 Amp	0.83 Amp
WSD-SE60W	5.0 Amp	2.8 Amp	2.5 Amp	2.16 Amp	1.72 Amp	1.25 Amp

Ordering Information

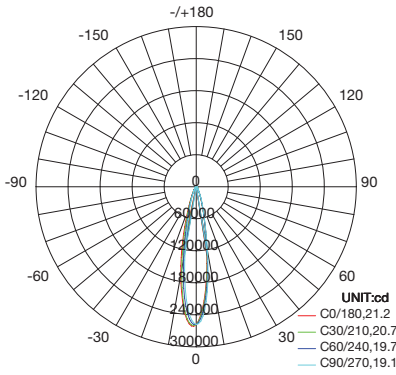
DLC Listing	Example
U-SEL-400W	SE40W[27,48]-50K-[D,W,B,S]-N4-[S,A,T]-[Blank,L]-[Blank,SPD]
U-SEL-600W	SE60W[27,48]-50K-[D,W,B,S]-N3-[S,A,T]-[Blank,L]-[Blank,SPD]

SE	40W	27	YYK	Z	NM	U	G	F
PRODUCT	WATTAGE	VOLTAGE	CCT	FINISH	LIGHT ANGLE	MOUNTING	CONTROL	SAFETY DEVICE
SE (Stadium Eyes Light Series)	40W - (400W) 60W - (600W)	27 (AC120-277V) 48 (AC277-480V)	40K - (4000K) 50K - (5000K)	D - (Dark Bronze) W - (White) B - (Black) S - (Silver)	N3 - (Nema III) N4 - (Nema IV) N5 - (Nema V)	S - (Slipfitter) A - (Arm) T - (Trunnion)	L - (Wireless Lighting Controller)	SPD - (Surge Protection Device)

PHOTOMETRICS

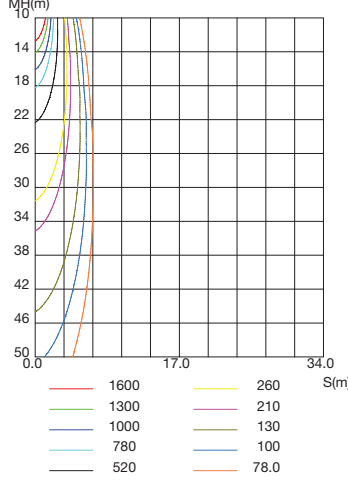
SE40W27-50K-D-N3

LUMINOUS INTENSITY DISTRIBUTION DIAGRAM



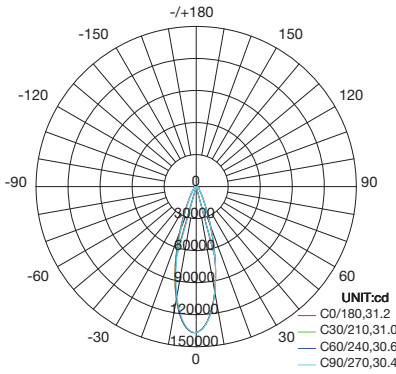
AVERAGE BEAM ANGLE(50%):20.2 DEG

C0 PLANE ISOLUX DIAGRAM (UNIT:lx)



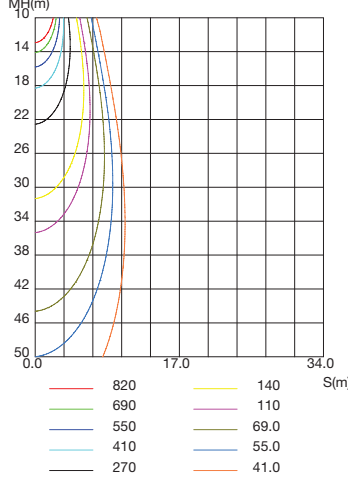
SE40W27-50K-D-N4

LUMINOUS INTENSITY DISTRIBUTION DIAGRAM



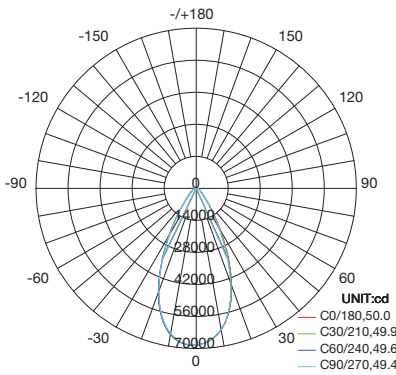
AVERAGE BEAM ANGLE(50%):30.8 DEG

C0 PLANE ISOLUX DIAGRAM (UNIT:lx)



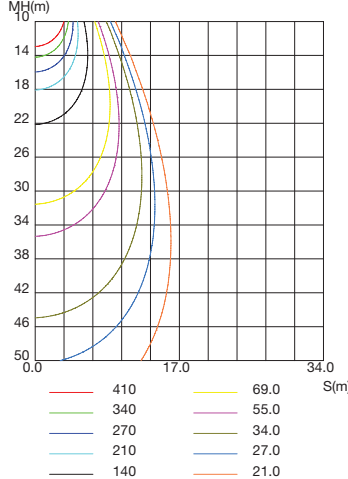
SE40W27-50K-D-N5

LUMINOUS INTENSITY DISTRIBUTION DIAGRAM

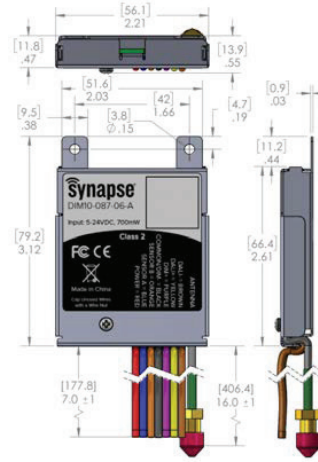
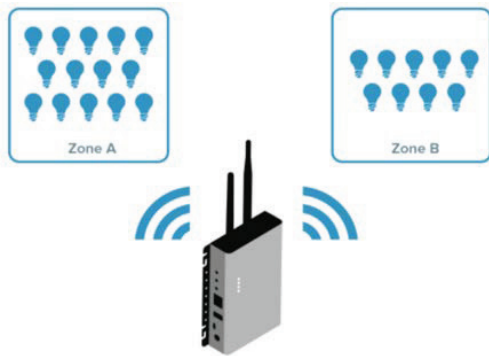


AVERAGE BEAM ANGLE(50%):49.7 DEG

C0 PLANE ISOLUX DIAGRAM (UNIT:lx)



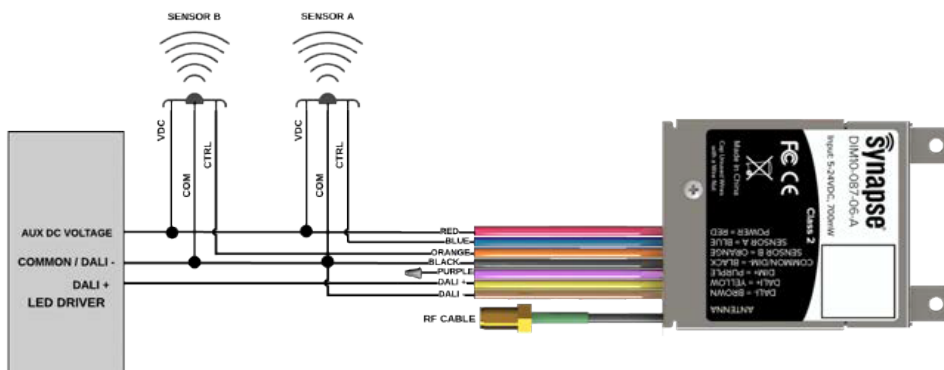
CONTROLS (SOLD SEPARATELY)



DALI-2/DIM TO OFF WIRELESS LIGHTING CONTROLLER

DIM10-087-06-A	
INPUT	5 to 24V DC, 700 mW max
DALI-2	Limited to 8 LED Drivers
SENSOR INPUT	Analog: 0-10V / Digital: 0-24V
IP RATING	IP30
DIMMING	0-10V, 10 mA (Max)
WORKING TEMPERATURE	-40°F ~ 185°F
RADIO	SNAP 2.4GHz ; 802.15.4 +20 dBm Transmit Power -103 dBm Receive Sensitivity
WIRE SIZE	20 AWG, 6" Wires, 600V
CERTIFICATIONS	UL Recognized Component; CE; FCC/ IC; Indoor/Outdoor
WARRANTY	5 year limited

WIRING DIAGRAM



INSTALLATION/DIMENSION

