

LCHB

Commercial LED High Bay



STANDARD

OPTIONAL



PRODUCT SPECIFICATIONS

DESCRIPTION

The LCHB Series is a commercial LED High Bay. It is designed for standard suspended or surface mounted high bay applications.

APPLICATIONS

The LCHB Series of Commercial High Bays are designed to be high quality, energy efficient LED luminaires for use in commercial applications, offices, government facilities, schools, and public areas.

CONSTRUCTION

The fixture is constructed of a cold rolled steel body. Housing embossed for maximum rigidity. Baked enamel finish in white. This fixture is available in 4' or 8' lengths.

OPTICAL SYSTEM

Available in narrow or wide beam distributions. Available with white louvers, satin lens, or open design. Optional Wire-guard is compatible with all lensing and louver options.

ELECTRICAL SYSTEM

Electronic drivers are available for 120/277V applications. Long-life LED system rated for >100K life hours (L70 @ 25°C). LED's available in 3000, 3500, 4000, and 5000K. Metal gear tray for internal LED driver. Complies with federal energy efficiency standards. 0-10V dimming standard.

MOUNTING

The fixture can be suspended or surface mounted. Multiple knockouts for easy mounting.

LISTINGS

UL and cUL Listed. Damp location rated.

WARRANTY

5-Year Limited Warranty. Complete warranty and terms located at: www.aelnow.com/warranty

ORDERING INFORMATION

Example: LCHB440SMWM

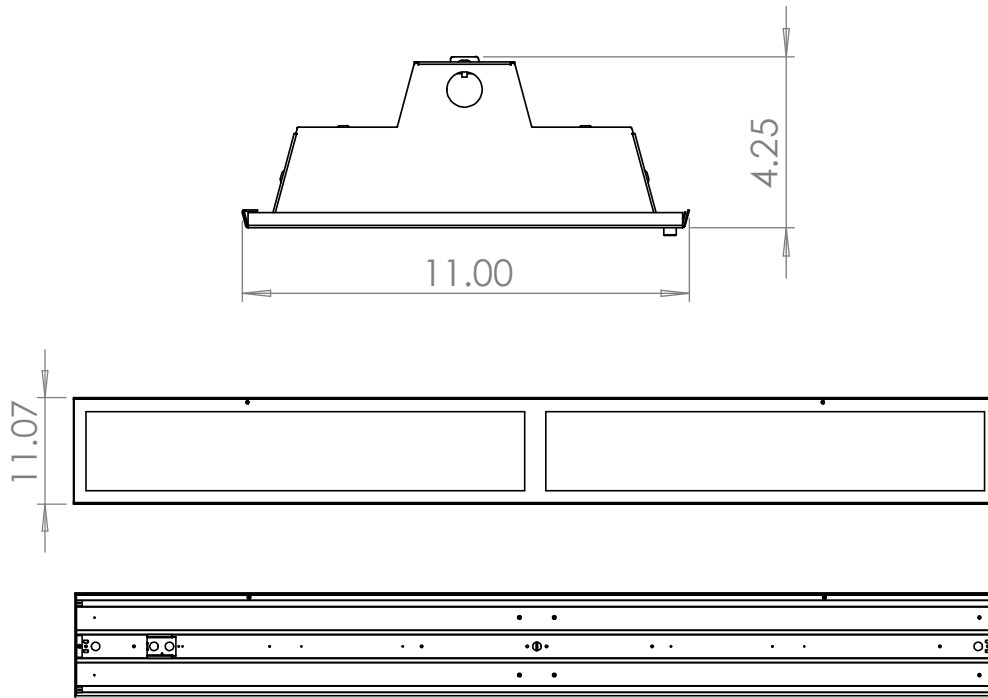
Specific Lumen Output Example: LCHB440SLWM2750

SERIES	LENGTH	COLOR TEMP	OUTPUT	DOOR FRAME	DISTRIBUTION	VOLTAGE	
LCHB	4'	30	3000K	SL Standard Low	Blank No Door L Louver S Satin	W Wide Distribution N Narrow Distribution	M Multi-Volt (120-277V)
		35	3500K	ML Medium Low			
	8'	40	4000K	HL High Low			
		50	5000K	SM Standard Medium			
		MM Medium Medium					
		HM High Medium					
		SH Standard High					
		MH Medium High					
		HH High High					

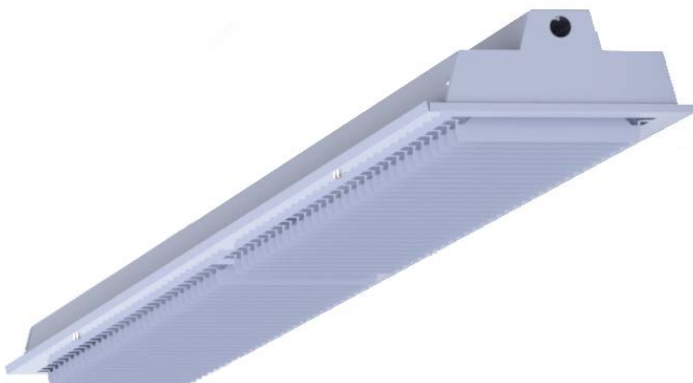
OPTIONS	HANGING OPTIONS
12EBL 1200 Lumen Emergency Ballast	CP50 Cord Pendant (No Power Feed) 50"
OCC Occupancy Sensor	CP100 Cord Pendant (No Power Feed) 100"
WG Wire Guard	CPPF50 Cord Pendant (Power Feed Capable) 50"
A/B Two Circuit A/B Switching	CPPF100 Cord Pendant (Power Feed Capable) 100"
CRJK Continuous Run/Joiner Kit	RPXX Rigid Pendant (Power Feed Capable) (XX")
	CPY50 Cord Y-Hanger (No Power Feed) 50"
	CPY100 Cord Y-Hanger (No Power Feed) 100"
	CPPFY50 Cord Y-Hanger (Power Feed Capable) 50"
	CPPFY100 Cord Y-Hanger (Power Feed Capable) 100"
	AC10 Aircraft Cable 10'
	AC20 Aircraft Cable 20'
	VH V-Hook Hangers (Supply Own Cable)

For Specific Lumen Output, please place desired lumens at the end of fixture nomenclature (after Voltage) EX. LCHB-8-40-MH-W-M-18500 for 18,500 lumens

DIMENSIONS



DOOR FRAME OPTIONS



With Louvers



With Satin Lens

LED SYSTEM DATA
ENERGY AND PERFORMANCE DATA

Input Voltage	120/277VAC
System Input Power	33 - 179 Watts*
Delivered Lumen Output	4650 - 25000 Lumens
Standard Dimming Control	0-10V
CCT	3000, 3500, 4000, 5000 Kelvin
CRI	82 (minimum)
Life Time Rating	100,000 hrs @ L70
Input Frequency	50/60 Hz
Power Factor	>0.9
Operating Temp	30° to 50° C

*Actual wattage may differ by ±5% while operating 120/277V ±10%

Output	Delivered Lumens	System Wattage	L70 @20C (hrs)
SL	4650	33	>100K
ML	7974	57	>100K
HL	11150	80	>100K
SM	12040	86	>100K
MM	13016	93	>100K
HM	15728	112	>100K
SH	16500	118	>100K
MH	20000	143	>100K
HH	25000	179	>100K

Approximate Color Temperature Multiplier	
5000K	1.03
4000K	1
3500K	0.97
3000K	0.94
2700K	0.91