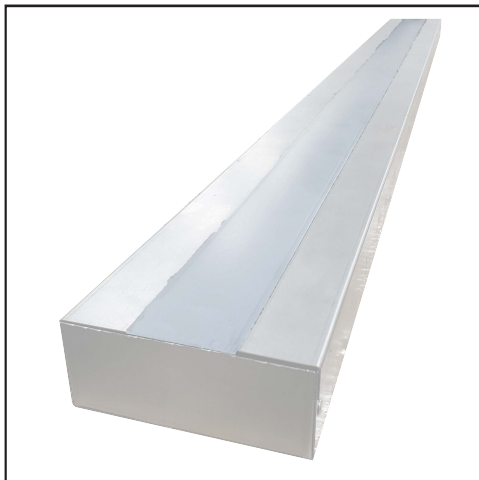


## LSBF

LED Lensed Strip with Flat Profile



STANDARD

OPTIONAL



### PRODUCT SPECIFICATIONS

#### DESCRIPTION

The LSBF is an LED strip with a flat profile that is available in 4' or 8' body lengths. It is designed for surface or suspended mounting applications. The LSBF utilizes state-of-the-art LED technology to deliver the highest possible efficiency in the lighting industry.

#### APPLICATIONS

The LSBF flat profile LED strip was designed to be a high quality, energy efficient LED fixture for use in commercial applications, offices, government facilities, schools, and public areas.

#### CONSTRUCTION

The fixture is constructed of a heavy gauge cold rolled steel body.

#### OPTICAL SYSTEM

High output LED's available in 2700K, 3000K, 3500K, 4000K, and 5000K. CRI >82. White polyester polymer finish with a high reflectivity.

#### ELECTRICAL SYSTEM

0-10V Dimming Driver included standard. 0-10V 10% dimming driver (no dim to off) standard with SL and ML outputs. 0-10V 1% dimming driver standard with HL-HH outputs. Long-life LED system rated for >100K life hours (L70 @ 25°C). Complies with federal energy efficiency standards.

#### MOUNTING

Surface or pendant mount, individually or in continuous rows. Sufficient knockouts are provided. Double KO access on 4 ft and longer to facilitate wiring of units for multiple ballast configurations.

#### LISTINGS

Independently tested to IESNA LM-79 and LM-80 specifications. UL and cUL Listed. Damp location rated.

#### WARRANTY

5-Year Limited Warranty. Complete warranty and terms located at [www.aelnow.com/warranty](http://www.aelnow.com/warranty).

### ORDERING INFORMATION

Example: LBSBF-4-40-HL-M

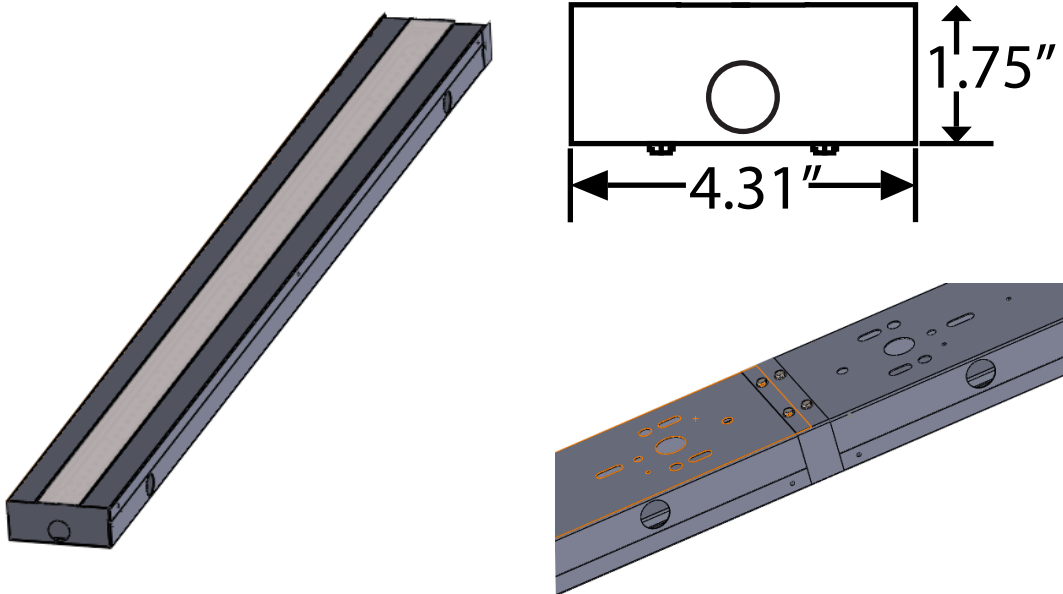
Series	Length	CCT	Output*	Voltage	Driver Options	Options
LSBF	4 4'	27 2700K	SL Standard Low	M 120/277V	BLANK** 0-10V Dimming Driver (included standard)	CSC Control Scope
	8 8'	30 3000K	ML Medium Low		CD1 0-10V 1% to off Dimming Driver	12EBL 1200 Lumen Emergency Ballast
		35 3500K	HL High Low		CD5 0-10V 5% to off Dimming Driver	AC10 10' Aircraft Cable Set
		40 4000K	SM Standard Medium		EDN Electronic Driver Non-Dimming	JC10 10' Jack Chain Set
		50 5000K	MM Medium Medium		FLDD Fifth Light Dali, Dimming	OCC Occupancy Sensor
			HM High Medium		LDE1 Lutron Hi-lume 1% EcoSystem LED driver with Soft-on, Fade-to-Black dimming technology	VDO Lutron Vive integral fixture controller (RF with daylight and occupancy sensing)
			SH Standard High		LDE5 Lutron LDE5 5-Series Ecosystem 5% Dimming	FCJ50 Lutron Vive attached RF controller for 0-10V drivers
	MH Medium High					
	HH High High					

\*4ft LSBF4 only available up to MM (13016 lumens)

\*\*0-10V 10% dimming driver (no dim to off) standard with SL-ML outputs. (4650 - 7974 lumens)

\*\*0-10V 1% to off dimming driver standard with HL- HH outputs. (11150 - 25000 lumens)

\*\*For optional lumen packages, please specify the desired lumens at the end of the part#.\*\*

**FIXTURE DIMENSIONS**

**ENERGY AND PERFORMANCE DATA**

Input Voltage	120/277VAC
System Input Power	33 - 179 Watts*
Delivered Lumen Output	4650 - 25000 Lumens
Standard Dimming Control	0-10V
CCT	3000, 3500, 4000, 5000 Kelvin
CRI	82 (minimum)
Life Time Rating	>120,000 hrs @ L70
Input Frequency	50/60 Hz
Power Factor	>0.9
Operating Temp	30° to 50° C

\*Actual wattage may differ by ±5% while operating 120/277V ±10%

Output	Delivered Lumens	System Wattage	L70 @25C (hrs)
SL	4650	33	>100K
ML	7974	57	>100K
HL	11150	80	>100K
SM	12040	86	>100K
MM	13016	93	>100K
HM	15728	112	>100K
SH	16500	118	>100K
MH	20000	143	>100K
HH	25000	179	>100K

Approximate Color Temperature Multiplier	
5000K	1.03
4000K	1
3500K	0.97
3000K	0.94
2700K	0.91