

LWB

9" LED Wrap



STANDARD

OPTIONAL



PRODUCT SPECIFICATIONS

DESCRIPTION

The LWB Series is a 9" LED Wrap available in 2' and 4' body lengths. It is a low-profile, narrow LED wrap that was designed for surface mounting applications.

APPLICATIONS

The LWB was designed to be a sleek looking, high quality, energy efficient LED fixture for use in commercial applications, industrial and garage applications, as well as kitchens, offices and storage rooms.

CONSTRUCTION

The fixture is constructed of die-formed heavy gauge steel. Housing embossed for maximum rigidity. Smooth hemmed sides for safe handling. The LWB snaps together for easy maintenance.

OPTICAL SYSTEM

White polyester polymer finish with a minimum 82% reflectivity. Lift-and-shift lens. Advanced microprism haze acrylic lens design provides excellent pixelation hiding properties. Linear sides provide excellent light distribution and put more light in task areas. Manufactured from durable DR/Acrylic polymer blend.

ELECTRICAL SYSTEM

120/277V 0-10V dimming driver included standard. Long-life LED system rated for >100K life hours (L70 @ 25°C). Metal gear tray for internal LED driver. Complies with federal energy efficiency standards.

MOUNTING

Unit may be surface, stem or aircraft cable mounted individually or in continuous rows

LISTINGS

UL and cUL Listed. Indoor use only.

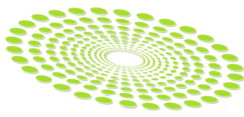
WARRANTY

5-Year Limited Warranty. Complete warranty and terms located at www.aelnow.com/warranty.

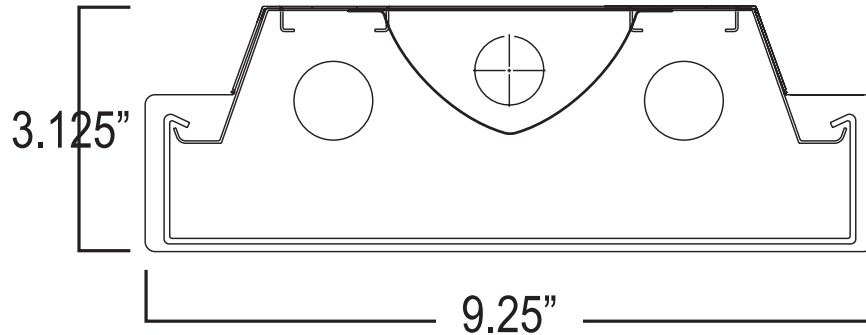
ORDERING INFORMATION

Ordering Example: LWB240HLM

SERIES		COLOR TEMP		OUTPUT		VOLTAGE		OPTIONS	
LWB2	2'	30	3000K	SL	Standard Low	M	Multi-Volt (120/277VAC)	12EBL	1200 Lumen Emergency Ballast
LWB4	4'	35	3500K	ML	Medium Low				
		40	4000K	HL	High Low				
		50	5000K	SM	Standard Medium				
				MM	Medium Medium				



DIMENSIONS



LED SYSTEM DATA

Output	Delivered Lumens	System Wattage	L70 @20C (hrs)
SL	4650	33	>100K
ML	7974	57	>100K
HL	11150	80	>100K
SM	12040	86	>100K
MM	13016	93	>100K

Approximate Color Temperature Multiplier	
5000K	1.03
4000K	1
3500K	0.97
3000K	0.94
2700K	0.91

* Delivered Lumens shown were tested with 4000K LEDs.

ENERGY AND PERFORMANCE DATA

ENERGY AND PERFORMANCE DATA

Input Voltage	120/277VAC
System Input Power	33 - 93 Watts*
Delivered Lumen Output	4650 - 13016 Lumens
Standard Dimming Control	0-10V
CCT	3000, 3500, 4000, 5000 Kelvin
CRI	82 (minimum)
Life Time Rating	>100,000 hrs @ L70
Input Frequency	50/60 Hz
Power Factor	>0.9
Operating Temp	30° to 50° C

*Actual wattage may differ by ±5% while operating 120/277V ±10%