

# ADVANTAGE 3000K

## Retrofit Downlight

The Advantage 3000K downlight offers a standard warm white option for those who do not need the adjustable CCT feature of the other downlights in the Advantage Series product line. Available in 4" and 5/6" sizes, the advantage downlight works well in a variety of basic residential and commercial applications. It is a great option upgrading legacy incandescent lighting to energy-efficient LED.

- 3000K color temperature
- Available in 4" and 5/6" trim sizes
- Aluminum housing with polycarbonate lens
- 90+ CRI for optimum color clarity
- Fits most standard 4", 5" and 6" housings
- Includes standard E26 socket for fast installation
- Dimmable with most TRIAC dimmers
- cETLus Listed for wet locations
- 50,000 hours rated life
- ENERGY STAR Certified
- JA8 Compliant



PROJECT:
TYPE:
LOCATION:
CATALOG NUMBER:



ADVANTAGE SERIES 4" - WHITE



ADVANTAGE SERIES 5/6" - WHITE

### ADVANTAGE 3000K SERIES QUICK SPECS

<b>VOLTAGE</b>	120V AC, 60Hz
<b>WATTAGE</b>	10W / 15W
<b>LUMENS</b>	600Lm / 900Lm
<b>CCT OPTIONS</b>	3000K
<b>CRI</b>	90+
<b>MOUNTING</b>	Recessed mount
<b>DIMMING</b>	TRIAC (10 - 100%)
<b>BEAM ANGLE</b>	95°
<b>OPERATING TEMP</b>	-20°C (-4°F) to 40°C (104°F)
<b>CERTIFICATIONS</b>	cETLus Listed; Suitable for wet Location
<b>RATED LIFE</b>	50,000 Hours

### ADVANTAGE 3000K SERIES ORDERING INFORMATION

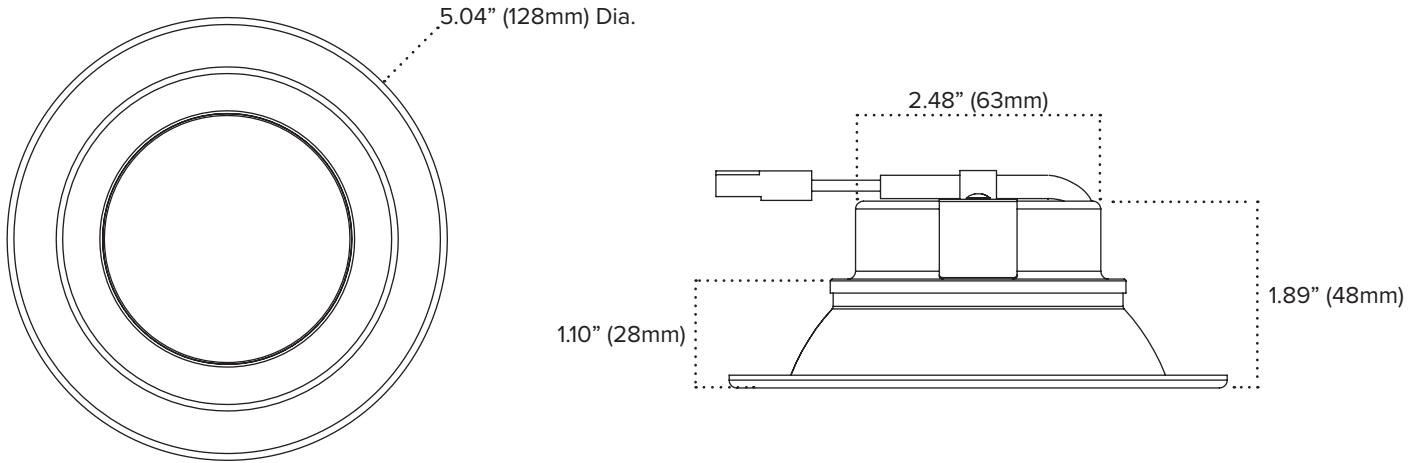
ITEM NUMBER	STYLE	WATTAGE	LUMENS	CCT	DIMMING
AD4V2-30-WH	4" - White	10W	600Lm	3000K	TRIAC (10 - 100%)
AD56V2-30-WH	5/6" - White	15W	900Lm	3000K	TRIAC (10 - 100%)

### ADVANTAGE 3000K SERIES ACCESSORIES

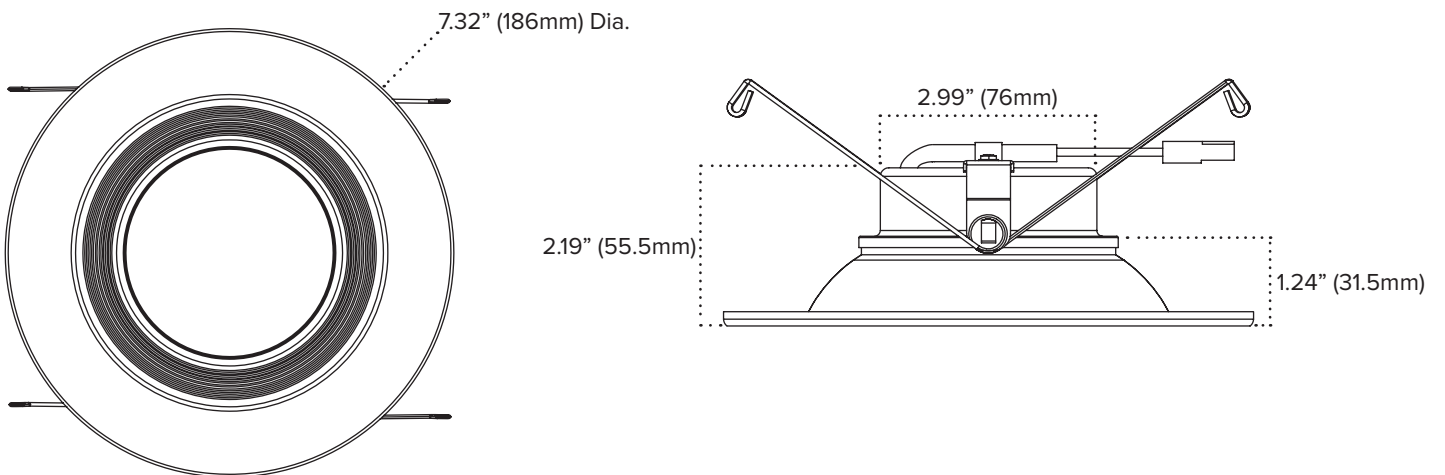
ITEM NUMBER	DESCRIPTION
AD56V2-TORCLIPS	Torsion Clips for AD56V2; For use in non-bullhorn cans

**ADVANTAGE 3000K SERIES** QUICK DIMENSIONS

AD4V2



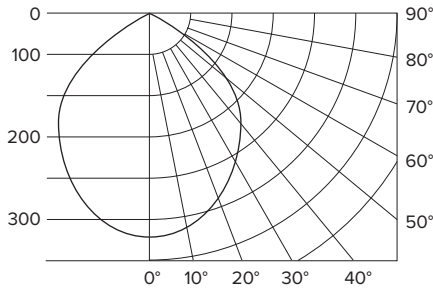
AD56V2



**ADVANTAGE 3000K SERIES PHOTOMETRICS**

**AD4V2**

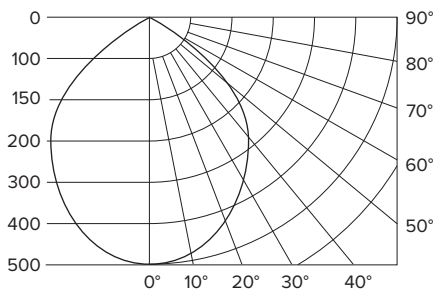
<b>PART NUMBER</b>	<b>AD4V2-30-WH</b>
<b>BEAM SPREAD</b>	93.5°
<b>LUMENS</b>	745Lm
<b>WATTAGE</b>	10W
<b>EFFICACY</b>	74.5Lm per watt
<b>CCT</b>	3000K
<b>CRI</b>	90



Foot Candles	Distance From Light	Beam Dia.
5.7	5'	10.6'
4.0	6'	12.8'
2.9	7'	14.9'
2.2	8'	17.0'
1.8	9'	19.1'
1.4	10'	21.3'

**AD56V2**

<b>PART NUMBER</b>	<b>AD56V2-30-WH</b>
<b>BEAM SPREAD</b>	95.4°
<b>LUMENS</b>	1057Lm
<b>WATTAGE</b>	15W
<b>EFFICACY</b>	70.5Lm/W
<b>CCT</b>	3000K
<b>CRI</b>	90



Foot Candles	Distance From Light	Beam Dia.
7.7	5'	11.0'
5.4	6'	13.2'
3.9	7'	15.4'
3.0	8'	17.6'
2.4	9'	19.8'
1.9	10'	22.0'

**ADVANTAGE 3000K SERIES 4" RECOMMENDED DIMMERS**

BRAND	MODEL #	MAX CURRENT OUT (MA)	MIN CURRENT IN (MA)	DIMMING RANGE (%)
Lutron	DVWCL-153PH-WH	53.00	0.00	0-98
Leviton	CL-6674	51.00	0.00	0-94
Lutron	MACL-153MR-WH	48.00	0.00	0-88
Leviton	CL-6672	53.00	0.00	0-98
Lutron	TG-600PH-LA	54.00	1.00	2-98
Lutron	SELV-300P-WH	54.00	0.00	0-98
Lutron	DVELV-300P-WH	52.00	0.00	0-96
Lutron	CTCL-153P	53.00	0.00	0-98
Lutron	SCL-153P	53.00	0.00	0-98
Leviton	CL-6683	53.00	0.00	0-98
Leviton	IPL06	50.00	0.00	0-98
Lutron	TGCL-153P	53.00	0.00	0-98
Lutron	DVCL-153P	54.00	1.00	2-98
Lutron	SLV-600P	53.00	0.00	0-98
Lutron	DV-600PR-LA	53.00	0.00	0-98
Lutron	DVSCSELV-300P-SW	51.00	0.00	0-98
Leviton	6674-P	50.00	0.00	0-98
Lutron	SELV-303P-WH	54.00	1.00	2-98
Lutron	DVCL-153P-WH	53.00	0.00	0-98
Lutron	MACL-153M-WH	49.00	0.00	0-90
Lutron	CTCL-153PDH-WH	53.00	0.00	0-98
Eaton	TUL06P-C2	81.00	0.00	0-95
Eaton	DUL06P-C2	81.00	0.00	0-90

Dimmer performance may vary in field application due to unknown external factors. Dimmers not included on the chart above are not necessarily incompatible; they have yet to be fully evaluated. Please reference dimmer manufacturer's instructions for more detailed information regarding performance and compatibility. Test data listed above is based on single lamp data. Recommended maximum 10 units connected to a single dimmer.

**ADVANTAGE 3000K SERIES 5/6" RECOMMENDED DIMMERS**

BRAND	MODEL #	MAX CURRENT OUT (MA)	MIN CURRENT IN (MA)	DIMMING RANGE (%)
Lutron	DVWCL-153PH-WH	84.00	0.00	0-98
Leviton	CL-6674	78.00	0.00	0-91
Lutron	MACL-153MR-WH	72.00	0.00	0-84
Leviton	CL-6672	85.00	0.00	1-98
Lutron	TG-600PH-LA	82.00	1.00	1-96
Lutron	SELV-300P-WH	85.00	0.00	0-98
Lutron	DVELV-300P-WH	82.00	0.00	0-96
Lutron	CTCL-153P	84.00	0.00	0-98
Lutron	SCL-153P	82.00	0.00	0-98
Leviton	CL-6683	85.00	0.00	0-98
Leviton	IPL06	78.00	0.00	0-91
Lutron	TGCL-153P	84.00	0.00	0-98
Lutron	DVCL-153P	84.00	0.00	0-98
Lutron	SLV-600P	84.00	0.00	0-98
Lutron	DV-600PR-LA	82.00	0.00	0-96
Lutron	DVSCSELV-300P-SW	78.00	0.00	0-91
Leviton	6674-P	76.00	0.00	0-89
Lutron	SELV-303P-WH	74.00	0.00	0-87
Lutron	DVCL-153P-WH	84.00	0.00	0-98
Lutron	MACL-153M-WH	77.00	0.00	0-90
Lutron	CTCL-153PDH-WH	84.00	0.00	0-98
Eaton	TUL06P-C2	130.00	0.00	0-95
Eaton	DUL06P-C2	130.00	0.00	0-90

Dimmer performance may vary in field application due to unknown external factors. Dimmers not included on the chart above are not necessarily incompatible; they have yet to be fully evaluated. Please reference dimmer manufacturer's instructions for more detailed information regarding performance and compatibility. Test data listed above is based on single lamp data. Recommended maximum 10 units connected to a single dimmer.



# AMERICAN LIGHTING WARRANTY

## LIMITED WARRANTY FOR LED PRODUCTS: 5 YEARS

### LIMITED PRODUCT WARRANTY

Our products are warranted to be free from defects in material and workmanship for the warranty period listed. Warranty periods begin from the date of shipment from American Lighting Inc's warehouse to the original purchaser. Products that prove to be defective during their specific warranty period will be either repaired or replaced, at the sole discretion of American Lighting Inc. Claims for defective products must be submitted in writing to American Lighting Inc's RGA Department within the warranty period. Upon approval of such return, American Lighting Inc reserves the right to inspect the product for misuse or abuse. Claims for indirect or consequential damages or for product that, in American Lighting Inc's opinion, has been misused will be denied. This is a warranty of product reliability only and not a warranty of merchantability or fitness for a particular purpose. American Lighting Inc shall have no liability whatsoever in any event for payment of incidental or consequential damages, including, without limitations, installation costs and/or damages for personal injury and/or property. These products may represent a possible shock or fire hazard if improperly installed or altered in any way. This warranty does not apply to any product that has not been properly installed in accordance with current local codes and/or the National Electrical Code. Products that require a transformer, driver, or power supply must be used in conjunction with American Lighting Inc's recommended power supply to ensure safety and retain product warranty.

### PRODUCT SPECIFICATIONS

For the latest product information, updates, instructions and details concerning specifications, colors, finishes, performance, installation and design, visit [www.americanlighting.com](http://www.americanlighting.com). Color may vary from the color printed herein due to limitations in photographic and printing processes. American Lighting Inc. reserves the right to change product specifications without notice. Other product specifications such as color temperature, wavelength characteristics and lumen output are subject to production limitations and may vary. LED technology is changing rapidly, and not all color temperatures and performance levels can be duplicated at a later time. Best practices include purchasing 10-15% more for a particular project on the same initial order where white LED color temperatures must be maintained over project and product life. Eventual product replacement should be considered at layout and design stages. Best practices also include testing connections and product performance prior to mounting and/or installing.

### AVERAGE LIFE

Average incandescent lamp life, rated life and average life are terms used to describe the number of hours at which half of the lamps have failed. For LEDs, the hours of rated life specify the point where 70% of original lumen output is reached. Below this point, the effective life is over, however, the LED may still emit light. Individual results may vary with actual environmental conditions including, but not limited to, proper installation, ambient temperature and/or input voltage fluctuations.