

ADVANTAGE SELECT

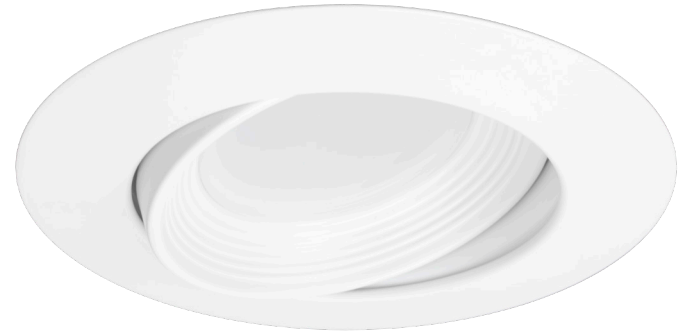
Swivel 5CCT Downlight

Featuring adjustable swivel lens, the Advantage Select swivel 6" downlight makes it simple and affordable to upgrade existing recessed housings to LED. Another added benefit to the Advantage Select swivel downlight is the 5-in-1 selectable color temperature settings ranging from a warm white 2700K up to 5000K daylight.

- Swivel lens for sloped ceiling or directing light with 180° gimbal rotation and 20° tilt
- Excellent color rendering (90+ CRI)
- Aluminum housing with polycarbonate lens
- Five selectable color temperatures: 2700K / 3000K / 3500K / 4000K / 5000K
- Lumen output up to 1200 Lumens
- Fits most 6" recessed housings
- Dimmable with most TRIAC dimmers
- cETLus Listed for wet locations
- 50,000 hours rated life
- ENERGY STAR Certified, JA8 Compliant



PROJECT:
TYPE:
LOCATION:
CATALOG NUMBER:



6" ADVANTAGE SWIVEL- WHITE



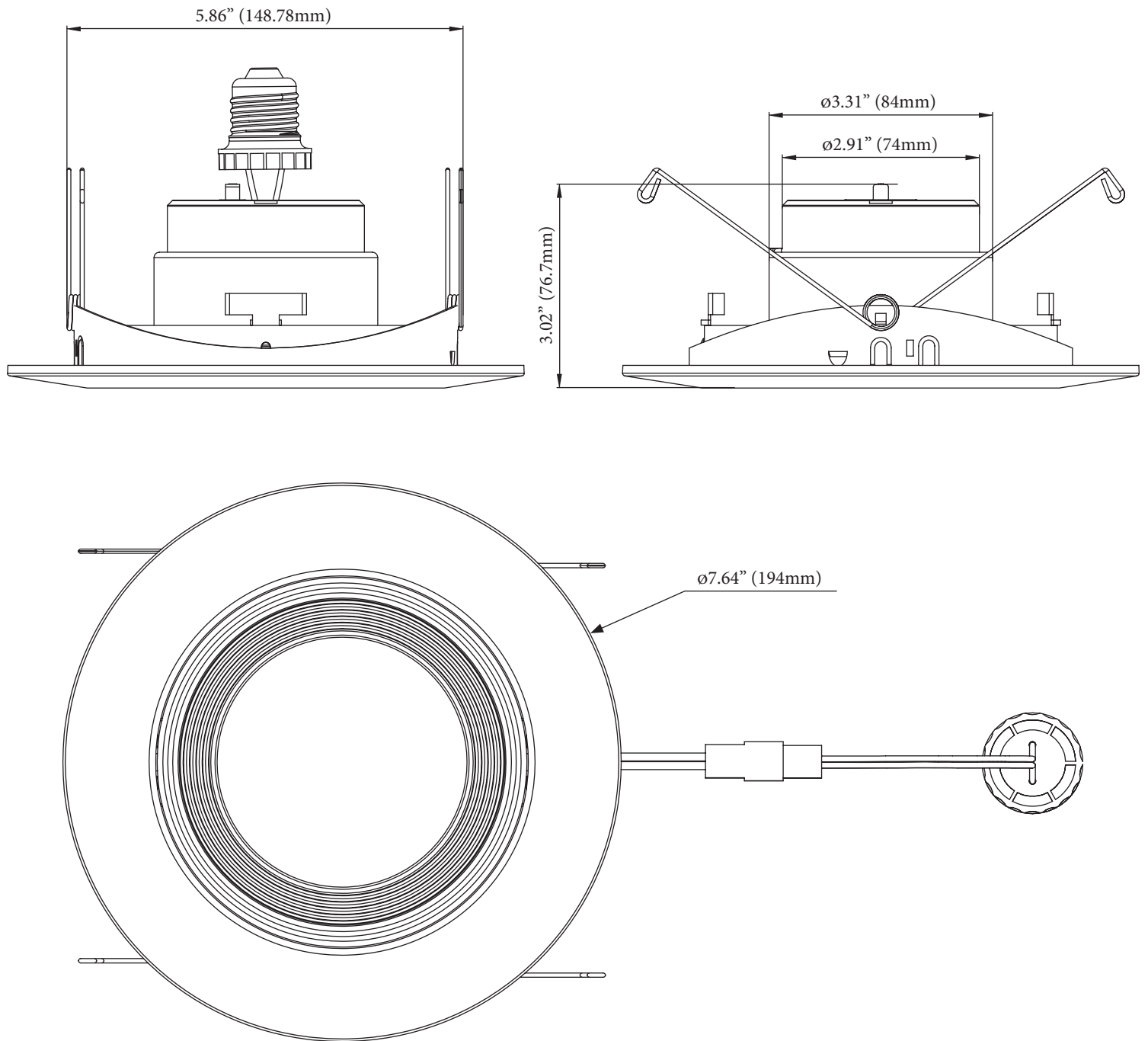
ADVANTAGE SELECT SWIVEL QUICK SPECS

VOLTAGE	120V AC, 60Hz
WATTAGE	15W
LUMENS	See Ordering Information
CCT OPTIONS	2700K / 3000K / 3500K / 4000K / 5000K
CRI	90+
MOUNTING	Retrofit
DIMMING	TRIAC/CL/ELV (10 - 100%)
BEAM ANGLE	95° (20° tilt)
OPERATING TEMP	-20°C (-4°F) to 40°C (104°F)
CERTIFICATIONS	cETLus Listed - Damp Location
RATED LIFE	50,000 Hours

ADVANTAGE SELECT SWIVEL ORDERING INFORMATION

ITEM NUMBER	SIZE	FINISH	VOLTAGE	CCT	CRI	LM @ 27	LM @ 30	LM @ 35	LM @ 40	LM @ 50	WATTAGE	DIMMING
AD6S-5CCT-WH	6" Swivel	White	120V	5-CCT	90+	1050	1200	1200	1200	1150	15W	10-100%

ADVANTAGE SELECT SWIVEL QUICK DIMENSIONS



RECOMMENDED DIMMERS

BRAND	MODEL #	TYPE	DIMMING RANGE
Lutron	DVWCL-153PH-WH	CL	10-100%
Lutron	SELV-300P-WH	ELV	10-100%
Lutron	SLV-600P	CL	10-100%
Leviton	6674-P	CL	10-100%
Leviton	CL-6672	CL	10-100%

ADVANTAGE SELECT SERIES 5/6" RECOMMENDED DIMMERS

BRAND	MODEL #	MAX CURRENT OUT (MA)	MIN CURRENT IN (MA)	DIMMING RANGE (%)
Lutron	DVWCL-153PH-WH	89.00	0.00	0-92
Lutron	TGCL-153PH	95.00	0.00	0-98
Lutron	CTCL-153DH	95.00	0.00	0-98
Leviton	CL-6674	95.00	0.00	0-98
Lutron	MACL-153MR-WH	95.00	0.00	0-98
Leviton	CL-6672	96.00	2.00	2-98
Lutron	S-600HP	96.00	0.00	0-100
Lutron	DV-600PR	96.00	0.00	0-100
Leviton	VP106-1LZ	96.00	0.00	0-100
Lutron	SELV-300P-WH	94.00	0.00	0-97
Lutron	SLV-600P-IV	96.00	0.00	0-100
Lutron	CTCL-153P	95.00	0.00	0-98
Lutron	SCL-153P	95.00	0.00	0-98
Leviton	CL-6683	95.00	0.00	0-98
Leviton	IPL06	95.00	0.00	0-98
Lutron	TGCL-153P	96.00	0.00	0-100
Lutron	DVCL-153P	96.00	0.00	0-100
Lutron	SLV-600P	95.00	0.00	0-98
Lutron	DV-600PR-LA	95.00	0.00	0-98
Lutron	DVSCSELV-300P-SW	95.00	0.00	0-98
Leviton	6674-P	94.00	0.00	0-97
Lutron	SELV-303P-WH	94.00	0.00	0-97
Lutron	DVCL-153P-WH	94.00	0.00	0-97
Lutron	MACL-153M-WH	95.00	0.00	0-98
Lutron	CTCL-153PDH-WH	94.00	0.00	0-97
Eaton	TULD6P-C2	160	0.00	0-95
Eaton	DULD6P-C2	160	0.00	0-90

Dimmer performance may vary in field application due to unknown external factors. Dimmers not included on the chart above are not necessarily incompatible; they have yet to be fully evaluated. Please reference dimmer manufacturer's instructions for more detailed information regarding performance and compatibility. Test data listed above is based on single lamp data.



AMERICAN LIGHTING WARRANTY

LIMITED WARRANTY FOR LED PRODUCTS: 5 YEARS

LIMITED PRODUCT WARRANTY

Our products are warranted to be free from defects in material and workmanship for the warranty period listed. Warranty periods begin from the date of shipment from American Lighting Inc's warehouse to the original purchaser. Products that prove to be defective during their specific warranty period will be either repaired or replaced, at the sole discretion of American Lighting Inc. Claims for defective products must be submitted in writing to American Lighting Inc's RGA Department within the warranty period. Upon approval of such return, American Lighting Inc reserves the right to inspect the product for misuse or abuse. Claims for indirect or consequential damages or for product that, in American Lighting Inc's opinion, has been misused will be denied. This is a warranty of product reliability only and not a warranty of merchantability or fitness for a particular purpose. American Lighting Inc shall have no liability whatsoever in any event for payment of incidental or consequential damages, including, without limitations, installation costs and/or damages for personal injury and/or property. These products may represent a possible shock or fire hazard if improperly installed or altered in any way. This warranty does not apply to any product that has not been properly installed in accordance with current local codes and/or the National Electrical Code. Products that require a transformer, driver, or power supply must be used in conjunction with American Lighting Inc's recommended power supply to ensure safety and retain product warranty.

PRODUCT SPECIFICATIONS

For the latest product information, updates, instructions and details concerning specifications, colors, finishes, performance, installation and design, visit www.americanlighting.com. Color may vary from the color printed herein due to limitations in photographic and printing processes. American Lighting Inc. reserves the right to change product specifications without notice. Other product specifications such as color temperature, wavelength characteristics and lumen output are subject to production limitations and may vary. LED technology is changing rapidly, and not all color temperatures and performance levels can be duplicated at a later time. Best practices include purchasing 10-15% more for a particular project on the same initial order where white LED color temperatures must be maintained over project and product life. Eventual product replacement should be considered at layout and design stages. Best practices also include testing connections and product performance prior to mounting and/or installing.

AVERAGE LIFE

Average incandescent lamp life, rated life and average life are terms used to describe the number of hours at which half of the lamps have failed. For LEDs, the hours of rated life specify the point where 70% of original lumen output is reached. Below this point, the effective life is over, however, the LED may still emit light. Individual results may vary with actual environmental conditions including, but not limited to, proper installation, ambient temperature and/or input voltage fluctuations.