

QUICK DISC SERIES

120V AC LED Disc Light

Multi-purpose surface mount disc for use with standard and pancake junction boxes. The sleek, low-profile design is available in two sizes and two color temperatures. An energy-saving dimmable LED light, with driver on-board, and polycarbonate lens to diffuse and soften light. Easy mounting style makes installation quick and hassle-free.

- Excellent color rendering (90+ CRI)
- 3000K or 4000K (6" only) options
- Two sizes available with up to 1050 lumens
- Available in white or dark bronze
- Low profile design, as little as 1" high
- On-board driver
- Polycarbonate lens for diffuse, soft light
- Dimmable with most ELV and TRIAC dimmers
- cETLus Listed for Wet locations
- 35,000 hours rated life
- ENERGY STAR certified



QUICK DISC QUICK SPECS

SIZE	4" / 6"
INPUT VOLTAGE	120V AC, 60Hz
WATTAGE	9W / 15W
LUMENS	650Lm / 1050Lm
CCT	3000K / 4000K
CRI	90+
DIMMING	10-100%* with most TRIAC and ELV dimmers
BEAM ANGLE	120°
OPERATING TEMP	-10°C (-14°F) to 50°C (122°F)**
CERTIFICATIONS	cETLus - wet locations, Energy Star
RATED LIFE	35,000 Hours

*Minimum loads may apply. Per the NEC, switched wall outlets cannot be used with wall dimmers.
 **Do not install in inclement weather or extreme temperatures conditions (i.e. -25°C (13°F) and below).

PROJECT: _____

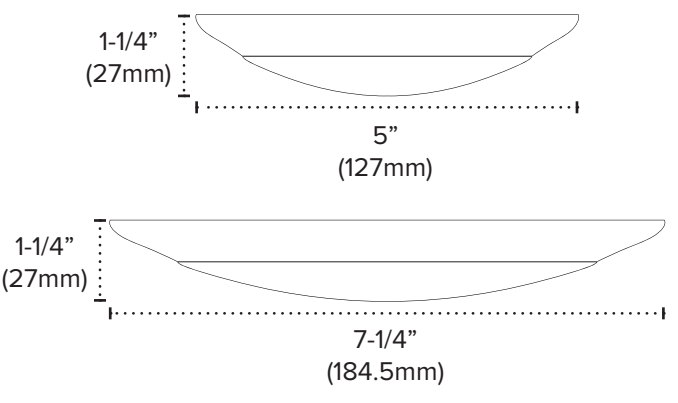
TYPE: _____

LOCATION: _____

CATALOG NUMBER: _____



QUICK DISC QUICK DIMENSIONS



QUICK DISC ORDERING INFORMATION

ITEM NUMBER	DESCRIPTION	VOLTAGE	WATTAGE	LUMENS	CCT	FINISH
QD4-30-WH	4" 3000K white disc light	120V AC	9W	650Lm	3000K	White
QD4-30-DB	4" 3000K dark bronze disc light	120V AC	9W	650Lm	3000K	Dark Bronze
QD6-30-WH	6" 3000K white disc light	120V AC	15W	1050Lm	3000K	White
QD6-30-DB	6" 3000K dark bronze disc light	120V AC	15W	1050Lm	3000K	Dark Bronze
QD6-40-WH	6" 4000K white disc light	120V AC	15W	1050Lm	4000K	White

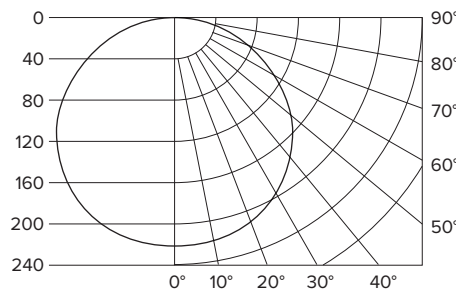
COMPATIBLE DIMMERS

BRAND	ITEM NUMBER	DESCRIPTION	DIMMING RANGE
Lutron® Diva	DVCL-153P	Universal (CFL/LED/Incandescent)	5-100%
Lutron® Toggler	TGCL-153PH	Universal (CFL/LED/Incandescent)	10-100%
Lutron® Skylark	SELV-300P	Electronic Low-Voltage (ELV)	5-100%
Lutron® Diva	DV-600P	Incandescent	5-100%
Leviton® Sureslide	6674	Universal (CFL/LED/Incandescent)	5-100%

QUICK DISC SERIES PHOTOMETRICS

QD4

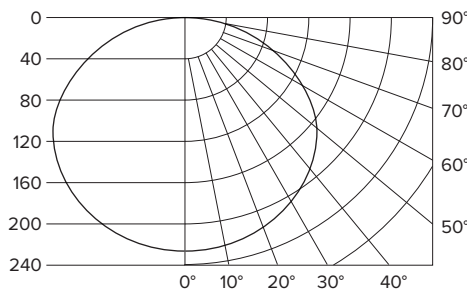
PART NUMBER	QD4-30-WH
BEAM SPREAD	115.5°
LUMENS	564.6 Lm
WATTAGE	9W
EFFICACY	62.8 Lm/W
CCT	3000K
CRI	94.3



Avg. Foot Candles	Distance From Light	Beam Dia.
3.0	4'	12.7'
1.3	6'	19'
0.8	8'	25.4'
0.5	10'	31.7'
0.3	12'	38'
0.2	14'	44.4'

QD6

PART NUMBER	QD6-30-WH
BEAM SPREAD	114.9°
LUMENS	984.33 Lm
WATTAGE	15W
EFFICACY	65.6 Lm/W
CCT	3000K
CRI	93.2



Avg. Foot Candles	Distance From Light	Beam Dia.
5.4	4'	12.5'
2.4	6'	18.8'
1.4	8'	25.1'
0.9	10'	31.3'
0.6	12'	37.6'
0.4	14'	43.9'



AMERICAN LIGHTING WARRANTY

LIMITED WARRANTY FOR LED PRODUCTS: 5 YEARS

LIMITED PRODUCT WARRANTY

Our products are warranted to be free from defects in material and workmanship for the warranty period listed. Warranty periods begin from the date of shipment from American Lighting Inc's warehouse to the original purchaser. Products that prove to be defective during their specific warranty period will be either repaired or replaced, at the sole discretion of American Lighting Inc. Claims for defective products must be submitted in writing to American Lighting Inc's RGA Department within the warranty period. Upon approval of such return, American Lighting Inc reserves the right to inspect the product for misuse or abuse. Claims for indirect or consequential damages or for product that, in American Lighting Inc's opinion, has been misused will be denied. This is a warranty of product reliability only and not a warranty of merchantability or fitness for a particular purpose. American Lighting Inc shall have no liability whatsoever in any event for payment of incidental or consequential damages, including, without limitations, installation costs and/or damages for personal injury and/or property. These products may represent a possible shock or fire hazard if improperly installed or altered in any way. This warranty does not apply to any product that has not been properly installed in accordance with current local codes and/or the National Electrical Code. Products that require a transformer, driver, or power supply must be used in conjunction with American Lighting Inc's recommended power supply to ensure safety and retain product warranty.

PRODUCT SPECIFICATIONS

For the latest product information, updates, instructions and details concerning specifications, colors, finishes, performance, installation and design, visit www.americanlighting.com. Color may vary from the color printed herein due to limitations in photographic and printing processes. American Lighting Inc. reserves the right to change product specifications without notice. Other product specifications such as color temperature, wavelength characteristics and lumen output are subject to production limitations and may vary. LED technology is changing rapidly, and not all color temperatures and performance levels can be duplicated at a later time. Best practices include purchasing 10-15% more for a particular project on the same initial order where white LED color temperatures must be maintained over project and product life. Eventual product replacement should be considered at layout and design stages. Best practices also include testing connections and product performance prior to mounting and/or installing.

AVERAGE LIFE

Average incandescent lamp life, rated life and average life are terms used to describe the number of hours at which half of the lamps have failed. For LEDs, the hours of rated life specify the point where 70% of original lumen output is reached. Below this point, the effective life is over, however, the LED may still emit light. Individual results may vary with actual environmental conditions including, but not limited to, proper installation, ambient temperature and/or input voltage fluctuations.