

SGL4 ROUND STEP LIGHT

12V DC LED Step Lights

Easy to install with 12V DC operation, the SGL4 12V round series feature two size and recessed and surface mount installation. Each fixture includes both white and black faceplates for design options as well as easy to change faceplates featuring removable hood scoops.

- Available in 1" and 2" round trim sizes
- Includes both White and Black finish faceplates
- Dimmable 12V low voltage operation
- 3000K color temperature
- Removable twist off trim and hood scoops
- SGL4 2" can be recessed or surface mounted
- SGL4 1" recessed mount only
- cETLus Listed for indoor and outdoor use (IP65)
- 30,000 hours rated life

PROJECT:
TYPE:
LOCATION:
CATALOG NUMBER:



SGL4 1" ROUND STEP LIGHT



SGL4 ROUND SERIES QUICK SPECS

VOLTAGE	12V DC
WATTAGE	1W / 4W
LUMENS	Up to 18Lm (SGL4-RD1) / 110Lm (SGL4-RD2)
CCT OPTIONS	3000K
CRI	90+
BEAM ANGLE	30° (SGL4-RD1)
MOUNTING	Surface / Recessed Mount
RATING	cETLus Listed (Wet Location)
DIMMING	TRIAC (10-100%)
OPERATING TEMP	-10°C (14°F) to 60°C (140°F)
RATED LIFE	30,000 Hours



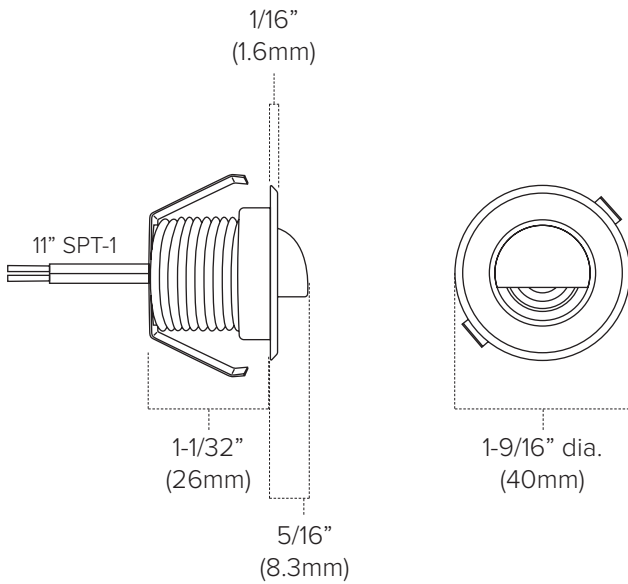
SGL4 2" ROUND STEP LIGHT

SGL4 ROUND SERIES ORDERING INFORMATION

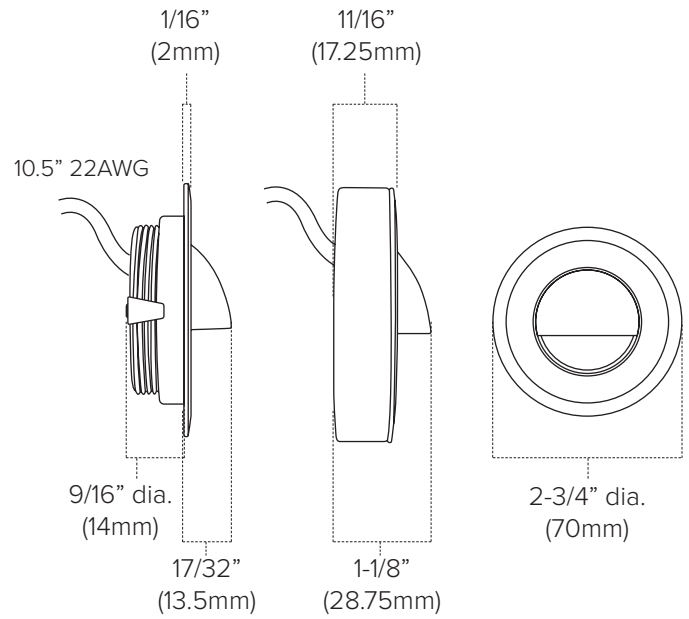
ITEM NUMBER	STYLE	WATTAGE	LUMENS	CCT	DIMMING
SGL4-12-30-RD1	1" Round Step Light	1W	15Lm (BK) / 18Lm (WH)	3000K	TRIAC (10-100%)
SGL4-12-30-RD2	2" Round Step Light	4W	70Lm (BK) / 110Lm (WH)	3000K	TRIAC (10-100%)

SGL4 ROUND SERIES QUICK DIMENSIONS

SGL4 1" ROUND STEP LIGHT



SGL4 2" ROUND STEP LIGHT



SGL4 ROUND SERIES CUT-OUT CHART

ITEM NUMBER	RECESSED HOLE SIZE	SURFACE MOUNT
SGL4-12-30-RD1	1-3/8" (35mm) Diameter	N/A
SGL4-12-30-RD2	2-1/4" (60mm) Diameter	20mm hole offset by 10mm of center



AMERICAN LIGHTING WARRANTY

LIMITED WARRANTY FOR LED PRODUCTS: 3 YEARS

LIMITED PRODUCT WARRANTY

Our products are warranted to be free from defects in material and workmanship for the warranty period listed. Warranty periods begin from the date of shipment from American Lighting Inc's warehouse to the original purchaser. Products that prove to be defective during their specific warranty period will be either repaired or replaced, at the sole discretion of American Lighting Inc. Claims for defective products must be submitted in writing to American Lighting Inc's RGA Department within the warranty period. Upon approval of such return, American Lighting Inc reserves the right to inspect the product for misuse or abuse. Claims for indirect or consequential damages or for product that, in American Lighting Inc's opinion, has been misused will be denied. This is a warranty of product reliability only and not a warranty of merchantability or fitness for a particular purpose. American Lighting Inc shall have no liability whatsoever in any event for payment of incidental or consequential damages, including, without limitations, installation costs and/or damages for personal injury and/or property. These products may represent a possible shock or fire hazard if improperly installed or altered in any way. This warranty does not apply to any product that has not been properly installed in accordance with current local codes and/or the National Electrical Code. Products that require a transformer, driver, or power supply must be used in conjunction with American Lighting Inc's recommended power supply to ensure safety and retain product warranty.

PRODUCT SPECIFICATIONS

For the latest product information, updates, instructions and details concerning specifications, colors, finishes, performance, installation and design, visit www.americanlighting.com. Color may vary from the color printed herein due to limitations in photographic and printing processes. American Lighting Inc. reserves the right to change product specifications without notice. Other product specifications such as color temperature, wavelength characteristics and lumen output are subject to production limitations and may vary. LED technology is changing rapidly, and not all color temperatures and performance levels can be duplicated at a later time. Best practices include purchasing 10-15% more for a particular project on the same initial order where white LED color temperatures must be maintained over project and product life. Eventual product replacement should be considered at layout and design stages. Best practices also include testing connections and product performance prior to mounting and/or installing.

AVERAGE LIFE

Average incandescent lamp life, rated life and average life are terms used to describe the number of hours at which half of the lamps have failed. For LEDs, the hours of rated life specify the point where 70% of original lumen output is reached. Below this point, the effective life is over, however, the LED may still emit light. Individual results may vary with actual environmental conditions including, but not limited to, proper installation, ambient temperature and/or input voltage fluctuations.