

Shelf Lighting **ARROW2**



- **Ultra slim**
- **Smooth continuous lighting**

Shelf Lighting

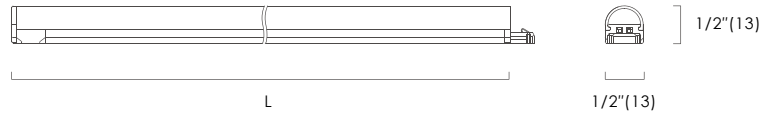
ARROW2



- Plug & play (External power supply)
- Wide beam angle
- LEDs pixel free
- Smooth continuous lighting
- Bright and consistent illuminance for display area
- Linkable, max. linkable length: 12' per run
- Lifetime: 50,000hrs (ta=95°F, 35°C)
- Ta: -4°F~95°F (-20°C~35°C)
- 4W/ft, 460lm/ft(@3000K)
- Material: Aluminum alloy
- Other color temp available



Dimensions: inches, (mm)



How to order using our catalog numbers

Example: ARROW2-1230K

Series	Length	CCT (K)	Beam Angle	Finish	Installation
ARROW2	8 - 7.9"(200mm)	30K - 3000K 35K - 3500K 40K - 4000K	[blank] - 140°	[blank] - silver	[blank] - Mounting clips
	12 - 11.8"(300mm)				
	23 - 22.4"(570mm)				
	35 - 34.3"(870mm)				
	45 - 44.9"(1140mm)				

Specifications

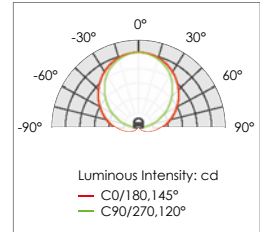
Catalog No.	Model	Rated Input (VDC)	Ra	Power (W)	Luminous flux (TYP@4000K)lm	75W (NA159-7524LA-12A6)	96W (NA383-9624DLA-DG6-12A6)
ARROW2-830K	ARROW2-L35-24V-1	24	92	2.5	288	26pcs ^[1]	33pcs ^[1]
ARROW2-835K							
ARROW2-840K							
ARROW2-1230K	ARROW2-L49-24V-1	24	92	4	460	16pcs ^[1]	20pcs ^[1]
ARROW2-1235K							
ARROW2-1240K							
ARROW2-2330K	ARROW2-L91-24V-1	24	92	7.5	863	8pcs ^[1]	11pcs ^[1]
ARROW2-2335K							
ARROW2-2340K							
ARROW2-3530K	ARROW2-L140-24V-1	24	92	11.5	1323	5pcs ^[1]	7pcs ^[1]
ARROW2-3535K							
ARROW2-3540K							
ARROW2-4530K	ARROW2-L182-24V-1	24	92	15	1726	4pcs ^[1]	5pcs ^[1]
ARROW2-4535K							
ARROW2-4540K							

* Included: 1pc LED fixture, 2pcs screws, 2pcs mounting clips, 1pc end cap.

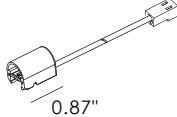
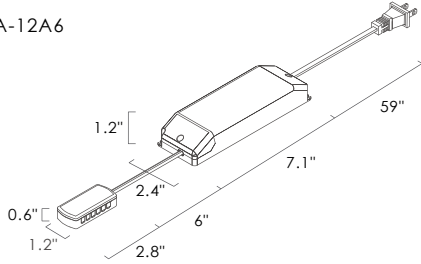
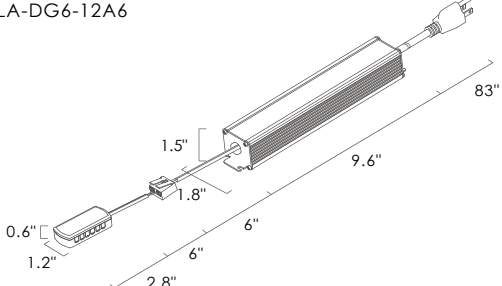
[1]: Max.Pcs Per UL Listed LED power supply. Not to exceed 12' per run.

Shelf Lighting ARROW2

Photometrics







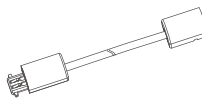
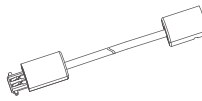
Accessories

Catalog No.	Description	Length (inch)
IC-AR-59	 Input cable (Must be between the light and splitter)	59"
NA159-7524LA-12A6	 Model: SLT75-24VL-2A Matching driver, max. 75W. Input: 100-120VAC NA plug + 59" cable. Output: 24VDC 12-way splitter JB-12A + 6" cable.	
NA383-9624DLA-DG6-12A6	 Model: SLD96-24VC-UN1-A Matching 1-10V dimmable driver, max. 96W. Input: 120-250VAC NA3 plug + 83" cable. Output: 24VDC DG238 DEGSON connector + 6" cable + 12-way splitter JB-12A + 6" cable.	

Shelf Lighting

ARROW2

Accessories (optional)

Catalog No.	Description	Length (inch)
MC-AR (included)	 0° mounting clip x 2	-
MC45-AR	 45° mounting clip x 2	-
MMC-AR	 0° magnetic mounting clip x 2	-
MMC45-AR	 45° magnetic mounting clip x 2	-
SC-AR-2	 Soft connector 2" x 1	2"
SC-AR-12	 Soft connector 12" x 1	12"

Installation

