

# AS201Q Sculptor Small Bell with Shade and Gooseneck Arm



The DuraGuard AS20 LEDicated Sculptor Small Bell Gooseneck LEDlight luminaire is available with 5 Gooseneck arms of various lengths and is designed to replace HID lighting systems up to 175w MH or HPS. This decorative fixture with prismatic spread lens and glare shade is ideal for retail centers, industrial parks, schools and universities, public transit and airports, office buildings and medical facilities. Designed for architectural wall mounting up to heights of 20 feet based on light level and uniformity requirements.

## AS20Q SPECIFICATIONS AND FEATURES:

### HOUSING:

Heavy Duty Die Cast Aluminum Housing with Integral Heat Sinking, 3/4" NPS Threaded Mount. Includes Spun Aluminum Shade, Field Removable.

### LISTING & RATINGS:

CSA Listed for Wet Locations, ANSI/UL 1598, 8750 IP66 Sealed LED Compartment

### FINISH:

Powdercoat Finish Over a Chromate Conversion Coating. Custom Colors Available Upon Request.

### LENS:

Clear Prismatic Polycarbonate Lens

### MOUNTING:

Fixed Mount or Adjustable Swivel with 3/4" NPS Threads.

### DURALED LED:

Aluminum Boards

### WATTAGE:

Array: 23w, System: 26.3w; (175w HID Equivalent.)

### DRIVER:

Electronic Driver, 120-277V, 50/60Hz; Less Than 20% THD and PF>0.90. Standard Internal Surge Protection 2kV. 0-10V Dimming Standard for a Dimming Range of 100% to 10%; Dimming Source Current is 150 Microamps.

### WARRANTY:

5-Year Warranty for -40°C to +50°C Environment.

## GOOSENECK ARM SPECIFICATIONS AND FEATURES:

### CONSTRUCTION:

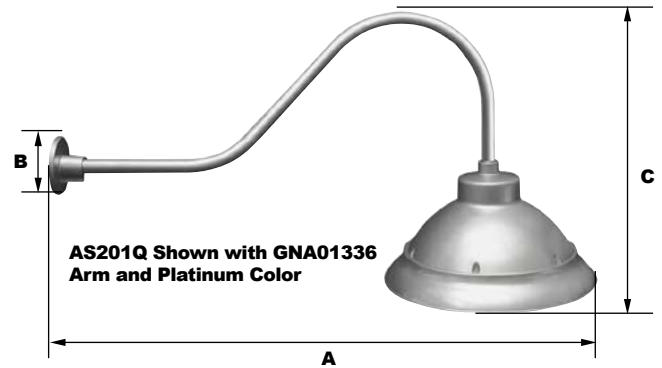
Heavy-Duty 3/4" Aluminum Arms with 3/4" NPS Threads on Fixture Mounting End.

### FINISH:

Powdercoat Finish Over a Chromate Conversion Coating. Custom Colors Available Upon Request.

### MOUNTING OPTIONS:

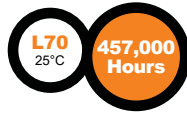
Mount with 3/4" Square or Round Mounting Plates.



AS201Q Shown with GNA01336 Arm and Platinum Color

### Dimensions

<b>Base Diameter (B)</b>	4 1/4" (108mm)
<b>Length (A)</b>	43 1/2" (1099mm)
<b>Height (C)</b>	23 1/4" (591mm)



LM-79 Report Available on Select Models. See Page 3 for Projected Lumen Maintenance Table.

<b>Project Information</b>	
Project Name: _____	Fixture Type: _____
Complete Catalog #: _____	Date: _____
Comments: _____	

**See Page 2 for Features and Arm Dimensions**

## DuraLED TECHNOLOGY

Complete Units  
Ordering Information  
Example: AS201QF1X23U5KCPGNFSF

# AS201Q Sculptor Small Bell with Shade and Gooseneck Arm

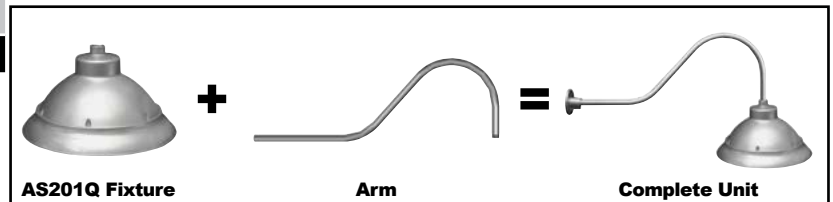
## Step 1: SELECT AS20Q LUMINAIRE

AS201Q	F	1X23	U	5K	C			
Model	Optics	Wattage	Driver	CCT	Lens	Color	Mounting	Options
AS201Q=	F=Type V	1X23=23w	U=120-277V	5K=5000K	C=Clear Prismatic Array Lens	B=Black, RAL9011 P=Platinum, RAL9006 R=Red, RAL3020 W=White, RAL9016 C=Custom (Consult Factory)	GNF=Fixed Downlight, Includes 72" of Wire for Arm Feed Through to Wall Box GNS=Adjustable Swivel Includes 72" of Wire for Arm Feed Through to Wall Box	SF=Single Fuse DF=Double Fuse

## Step 2: SELECT ARM

<b>Order Information Example:</b>	<b>GNA01336PR</b>		
Model	Length	Color	Mounting
<b>GNA013 Classic Hook</b>	36=36" 30=30"	B=Black, RAL9011 P=Platinum, RAL9006 R=Red, RAL3020 W=White, RAL9016 C=Custom (Consult Factory)	S=Square Oversized Wall Mount R=Round Wall Mount N=No Wall Mount
<b>GNA023 Straight</b>	30=30" 24=24" 18=18" 12=12"		
<b>GNA033 Straight Offset</b>	30=30" 24=24"		
<b>GNA043 Straight Rise</b>	30=30"		
<b>GNA053 Round Hook</b>	30=30" 24=24" 18=18"		

### SPECIFICATION GUIDE:

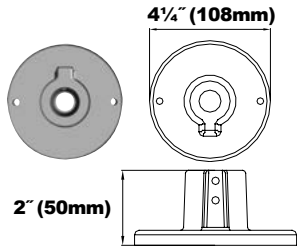


Specifications subject to change without notice.

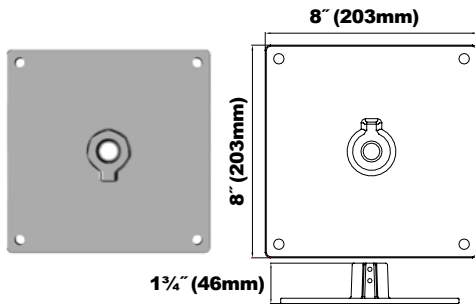
# AS201Q Sculptor Small Bell with Shade and Gooseneck Arm



## Wall Plate Dimensions



**GNRMP3**



**GNSMP3**

### Replacement Wall Plates (Order separately, Field installed)

GNRMP3\* Round Wall Mount Plate, Powdercoat Finish.

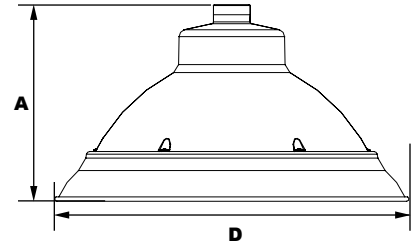
GNSMP3\* Square Oversized Wall Mount Plate, Powdercoat Finish.

\*Specify Color: B=Black, P=Platinum, R=Red, W=White, C=Custom (Consult Factory)

## AS201Q Dimensions



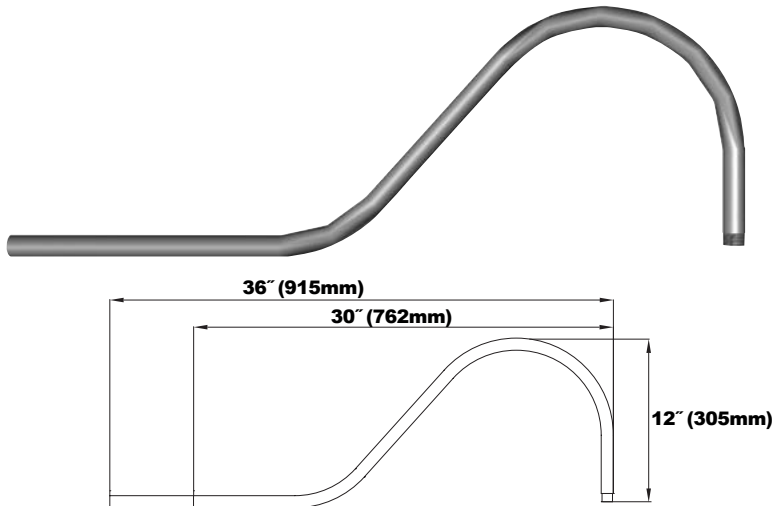
**Sculptor Small Bell**



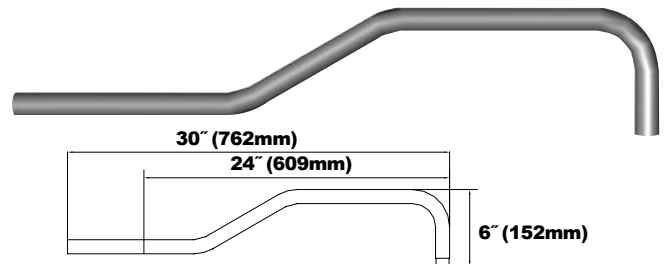
### Dimensions

<b>Diameter (D)</b>	1 5/4" (386mm)
<b>Height (A)</b>	8 1/2" (214mm)

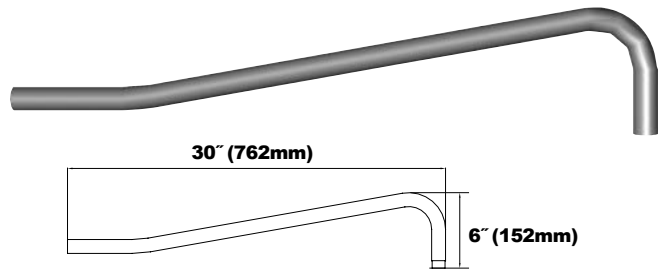
## Gooseneck Dimensions



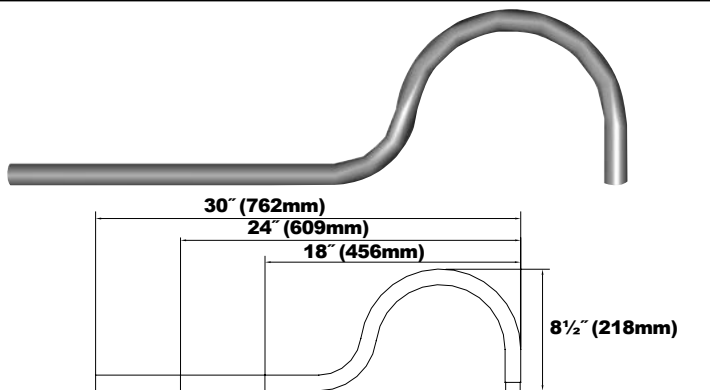
**GNA01336P Classic Hook**



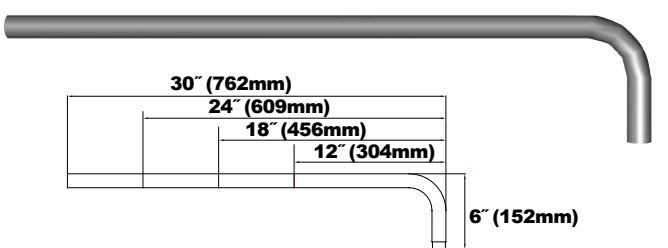
**GNA03330P Straight Offset**



**GNA04330P Straight Rise**



**GNA05336P Round Hook**



**GNA02330P Straight**

Specifications subject to change without notice.

# AS201Q Sculptor Small Bell with Shade and Gooseneck Arm



## PHOTOMETRIC PERFORMANCE

LED Board Watts	Drive Current (mA)	Input Watts	Optics	5000 CCT 80 CRI				
				Lumens	LPW	B	U	G
DuraLED 23w	525	26	Type V (Clear Prismatic Lens)	3,022	116	1	2	0

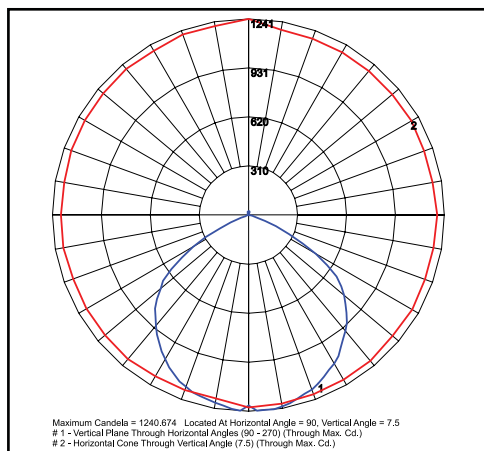
## PROJECTED LUMEN MAINTENANCE

Data shown for 5000 CCT		Compare to MH				
TM-21-11	Input Watts	Initial	25,000 Hrs	50,000 Hrs	100,000 Hrs	Calculated L70@ 25°C
L70 Lumen Maintenance @ 25°C / 77°F	26	1.00	0.98	0.97	0.93	457,000
TM-21-11	Input Watts	Initial	25,000 Hrs	50,000 Hrs	100,000 Hrs	Calculated L70@ 50°C
L70 Lumen Maintenance @ 50°C / 122°F	26	1.00	0.97	0.95	0.89	273,000
TM-21-11	Input Watts	Initial	25,000 Hrs	50,000 Hrs	100,000 Hrs	Calculated L80@ 40°C
L80 Lumen Maintenance @ 40°C / 104°F	26	1.00	0.98	0.95	0.90	206,000

### NOTES:

1. Projected per IESNA TM-21-11. Data references the extrapolated performance projections for the 525mA base model in a 25°C ambient, based on 10,000 hours of LED testing per IESNA LM-80-08.
2. Compare to MH box indicates suggested Light Loss Factor (LLF) to be used when comparing to Metal Halide (MH) systems.

## PHOTOMETRIC DATA



AS201QF1X23U5KC -  
Type V

Grid in MH  
MH=10 Feet